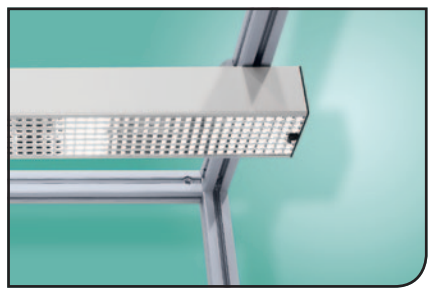
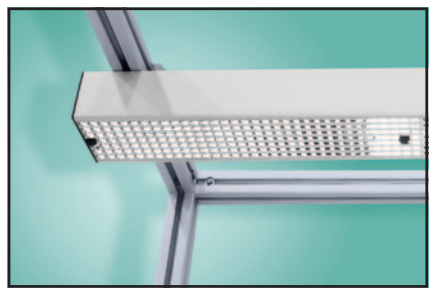
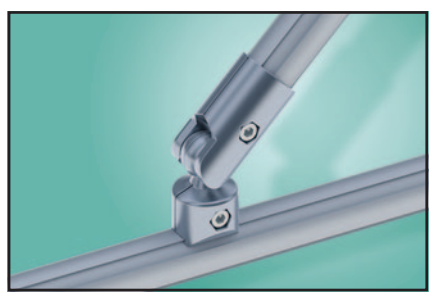
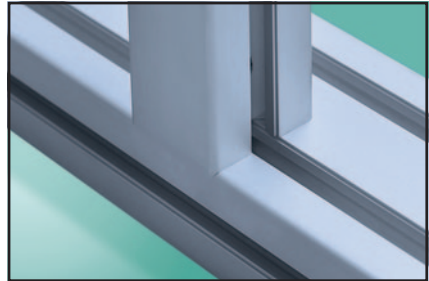


System kit

Profile series B-45



CONTENTS

<h2>1</h2> <h3>Technical data/profile machining</h3>		 <p>Page 1 2</p>	 <p>Page 1 3</p>	 <p>Page 1 5</p>	 <p>Page 1 13</p>	 <p>Page 1 14</p>	<h2>2</h2> <h3>Profiles</h3>	
 <p>Page 2 2</p>	 <p>Page 2 4</p>	 <p>Page 2 7</p>	 <p>Page 2 10</p>	 <p>Page 2 19</p>	 <p>Page 2 21</p>	 <p>Page 2 22</p>	 <p>Page 2 24</p>	
<h2>3</h2> <h3>Profile accessories</h3>		 <p>Page 3 2</p>	 <p>Page 3 3</p>	 <p>Page 3 4</p>	<h2>4</h2> <h3>Fasteners</h3>		 <p>Page 4 2</p>	 <p>Page 4 3</p>
 <p>Page 4 6</p>	 <p>Page 4 7</p>	 <p>Page 4 7</p>	 <p>Page 4 8</p>	 <p>Page 4 13</p>	 <p>Page 4 15</p>	 <p>Page 4 18</p>	 <p>Page 4 19</p>	 <p>Page 4 20</p>
 <p>Page 4 22</p>	 <p>Page 4 23</p>	 <p>Page 4 24</p>	 <p>Page 4 25</p>	 <p>Page 4 26</p>	 <p>Page 4 35</p>	 <p>Page 4 35</p>	 <p>Page 4 36</p>	 <p>Page 4 36</p>
 <p>Page 4 37</p>	 <p>Page 4 38</p>	 <p>Page 4 41</p>	 <p>Page 4 43</p>	 <p>Page 4 44</p>	 <p>Page 4 44</p>	 <p>Page 4 45</p>	 <p>Page 4 46</p>	 <p>Page 4 47</p>
 <p>Page 4 48</p>	 <p>Page 4 49</p>	 <p>Page 4 50</p>	<h2>5</h2> <h3>Joints</h3>		 <p>Page 5 2</p>	 <p>Page 5 6</p>	 <p>Page 5 7</p>	 <p>Page 5 8</p>
 <p>Page 5 8</p>	<h2>6</h2> <h3>Door fittings</h3>		 <p>Page 6 2</p>	 <p>Page 6 2</p>	 <p>Page 6 3</p>	 <p>Page 6 4</p>	 <p>Page 6 5</p>	 <p>Page 6 6</p>



Page 6|7



Page 6|8



Page 6|9



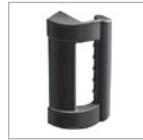
Page 6|10



Page 6|11



Page 6|11



Page 6|11



Page 6|12



Page 6|13



Page 6|13



Page 6|14



Page 6|16



Page 6|16



Page 6|17



Page 6|17



Page 6|18



Page 6|19

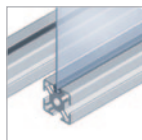


Page 6|19



Page 6|20

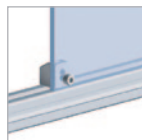
7
Surface elements and linings



Page 7|2



Page 7|3



Page 7|4



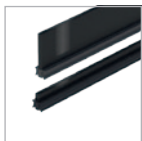
Page 7|5



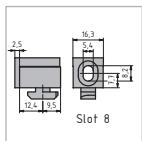
Page 7|5



Page 7|6



Page 7|6



Page 7|7



Page 7|8



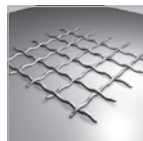
Page 7|9



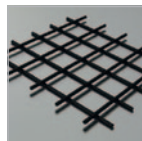
Page 7|9



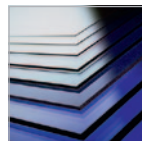
Page 7|10



Page 7|10



Page 7|11



Page 7|11



Page 7|12

8
Feet and wheels



Page 8|2



Page 8|3



Page 8|4



Page 8|5



Page 8|6



Page 8|7



Page 8|7



Page 8|8



Page 8|9



Page 8|10



Page 8|11



Page 8|12

9
Castors and glides



Page 9|2



Page 9|4



Page 9|5



Page 9|5



Page 9|6



Page 9|7

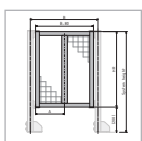


Page 9|7

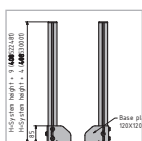


Page 9|8

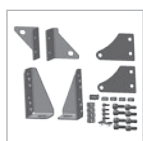
10
Safeguards



Page 10|4



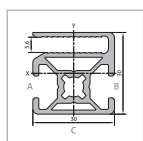
Page 10|7



Page 10|11



Page 10|12



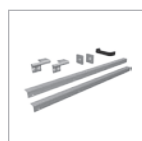
Page 10|13



Page 10|15



Page 10|17



Page 10|18





Page 10|20



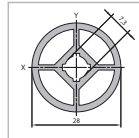
Page 10|21



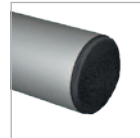
Page 10|22

11

Round pipes



Page 11|3



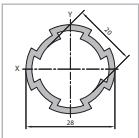
Page 11|3



Page 11|3



Page 11|4



Page 11|4



Page 11|5



Page 11|5



Page 11|6



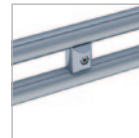
Page 11|6



Page 11|7



Page 11|8



Page 11|8



Page 11|9



Page 11|10



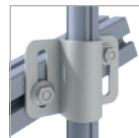
Page 11|10



Page 11|11



Page 11|12



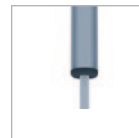
Page 11|12



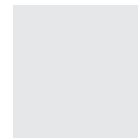
Page 11|13



Page 11|13



Page 11|14



12

Accessories



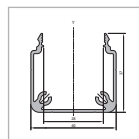
Page 12|2



Page 12|2



Page 12|3



Page 12|4



Page 12|6



Page 12|7



Page 12|7



Page 12|8

13

Tools



Page 13|2



Page 13|4



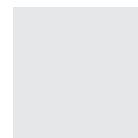
Page 13|4



Page 13|4



Page 13|5



14

Workplace accessories



Page 14|2



Page 14|3



Page 14|4



Page 14|5



Page 14|6



Page 14|9



Page 14|10



Page 14|13



Page 14|15



Page 14|16



Page 14|17



Page 14|17



Page 14|18



Page 14|18



Page 14|18



Page 14|19



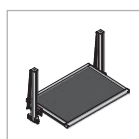
Page 14|19



Page 14|20



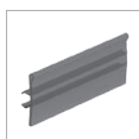
Page 14|20



Page 14|21



Page 14|25



Page 14|26



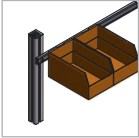
Page 14|27



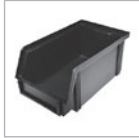
Page 14|27



Page 14|28



Page 14|28



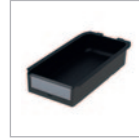
Page 14|29



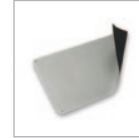
Page 14|29



Page 14|30



Page 14|31



Page 14|32



Page 14|32



Page 14|32



Page 14|33



Page 14|33



Page 14|33

15

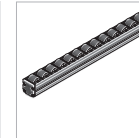
KLT lifters



Page 15|2

16

Roller conveyor sections



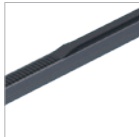
Page 16|2



Page 16|5



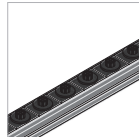
Page 16|6



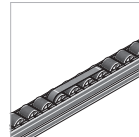
Page 16|6



Page 16|7



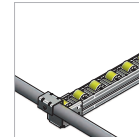
Page 16|7



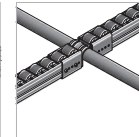
Page 16|8



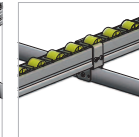
Page 16|8



Page 16|9



Page 16|10



Page 16|10

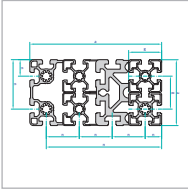


Page 16|11

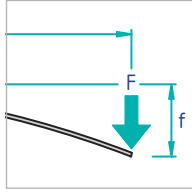


Page 16|13

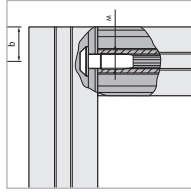
TECHNICAL DATA/PROFILE MACHINING



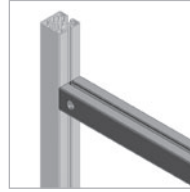
Page 1|2
Tolerances



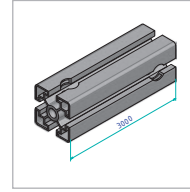
Page 1|3
Calculations



Page 1|5
Machining



Page 1|13
Radius
compensation

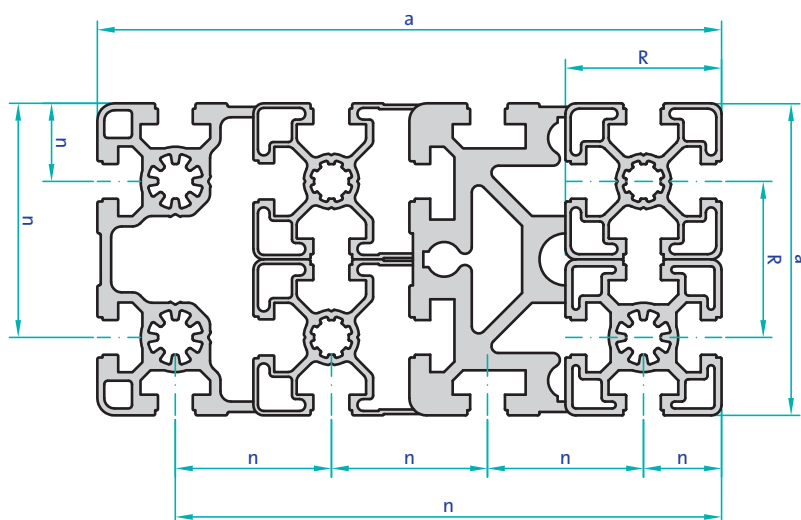


Page 1|14
Ordering of ma-
chined profiles

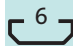
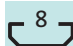
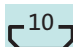
EN AW – 6063:	Material number pursuant to DIN EN 573
Rm:	245 N/mm ² (minimum tensile strength)
Rp 0.2:	195 N/mm ² (yield strength)
A5:	10% (elongation at break)
A10:	8% (elongation at break)
E:	approx. 70,000 N/mm ² (modulus of elasticity)

HB:	approx. 75 (Brinell hardness)
a:	23.4 × 10 ⁻⁶ 1/K (coefficient of linear expansion)
Tolerances:	DIN EN 12020-2
Eloxal:	E6EV1
Coating thickness:	10 µm

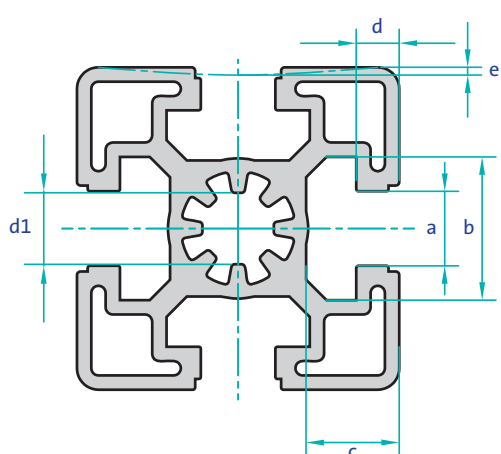
Tolerances

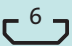
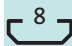
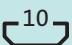
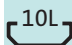


Spacing R

	R: 20 mm
	R: 30 mm
	R: 40, 45, 50, 60 mm

Length of profile edge a [mm]	0-20	20-30	30-45	45-60	60-90	100-120	120-160	160-240
Tolerances								
Outer dimension a or slot position n ± [mm]	±0.2	±0.25	±0.3	±0.35	±0.4	±0.5	±0.6	±0.8



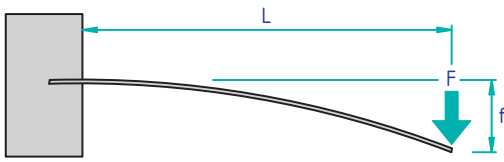
Slot Size	a	b	c	d	e	d1
	6.0 +0.3/-0	12.0 ±0.2	5.5 ±0.15	1.5 ±0.15	0.2 ±0.1	5.5 ±0.15
	8.0 +0.3/-0	16.5 ±0.2	9.0 ±0.15	2.2 ±0.15	0.2 ±0.1	7.3 ±0.15
	10.0 +0.4/-0	20.1 ±0.25	12.5 ±0.15*	6.0 ±0.15	0.2 ±0.1	10.0 ±0.15
	10.0 +0.4/-0	20.1 ±0.25	14.5 ±0.15*	6.0 ±0.15	0.2 ±0.1	10.0 ±0.15

Please note:

Aluminium profile: 40 × 40L, 40 × 40L R, 40 × 80L, 80 × 80L

Slot size: 10

Bending/calculation



$$f = \frac{F \times L^3}{3E \times I \times 10^4}$$

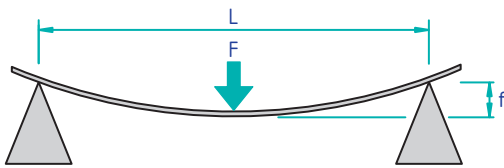
Profile bending caused by force F

$$f = \frac{m^* \times g \times L^4}{8E \times I \times 10^4}$$

Profile bending caused by the profile's own weight

$$\delta = \frac{(m^* \times g \times L + F) \times L}{W \times 10^3}$$

Control of bending stress



$$f = \frac{F \times L^3}{48 \times E \times I \times 10^4}$$

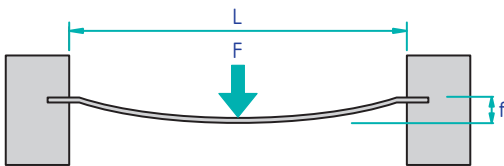
Profile bending caused by force F

$$f = \frac{5 \times m^* \times g \times L^4}{384E \times I \times 10^4}$$

Profile bending caused by the profile's own weight

$$\delta = \frac{(m^* \times g \times L + F) \times L}{4W \times 10^3}$$

Control of bending stress



$$f = \frac{F \times L^3}{192E \times I \times 10^4}$$

Profile bending caused by force F

$$f = \frac{m^* \times g \times L^4}{384E \times I \times 10^4}$$

Profile bending caused by the profile's own weight

$$\delta = \frac{(m^* \times g \times L + F) \times L}{8W \times 10^3}$$

Control of bending stress

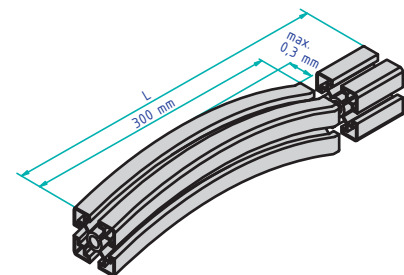
- f = bending (mm)
- F = force (N)
- L = profile length (mm)
- E = modulus of elasticity (70,000 N/mm²)
- g = fall velocity (9.81 m/s²)

- Material properties (Page 1|2)**
Aluminium profile details (Page 2|2 and following)
 m* = mass (kg/mm); m*=m:1000
 I = moment of inertia (cm⁴)
 W = section modulus (cm³)

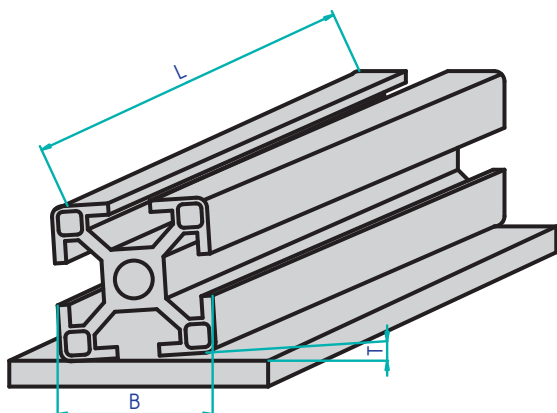
Straightness tolerance

A length of 300 mm deviates from a straight line by not more than 0.3 mm.
 Straightness deviation across reference length:

0...1000 mm	0.7 mm
1000-2000 mm	1.3 mm
2000-3000 mm	1.9 mm
3000-4000 mm	2.2 mm
4000-5000 mm	2.6 mm
5000-6000 mm	3.0 mm



Torsional tolerance



TORSIONAL TOLERANCE T ACROSS NOMINAL REFERENCE LENGTH L:						
Width B:	0-1000 mm	1000-2000 mm	2000-3000 mm	3000-4000 mm	4000-5000 mm	5000-6000 mm
0-75 mm	1.00	1.20	1.50	1.80	2.00	2.50
75-100 mm	1.00	1.20	1.50	2.00	2.20	2.50
100-125 mm	1.00	1.50	1.80	2.20	2.50	3.00
125-150 mm	1.20	1.50	1.80	2.20	2.50	3.00
150-200 mm	1.50	1.80	2.20	2.60	3.00	3.50
200-350 mm	1.80	2.50	3.00	3.50	4.00	4.50

Load capacity of profile slot

Tensile stress

Static stress limit of slot (when deformation sets in) if connectors with largest thread are used:

Slot	Profile	Hammer head screw	Hammer head nut	Centre bolt	Pivoting slot nut	Slot nut
6	B6 2020		1,700 N	2,000 N		3,000 N
8	B8 3030	4,000 N	4,000 N	5,000 N		6,300 N
10	B10 4040L	7,000 N	7,200 N	10,000 N	12,000 N	12,500 N
	B10 4545L	7,000 N	7,000 N	10,000 N	10,000 N	12,500 N
	B10 4545	12,000 N	12,000 N	15,000 N	13,000 N	17,000 N

The above stress limits have been determined on samples subjected to pull-out tests.

Safety factors have not been taken into account.

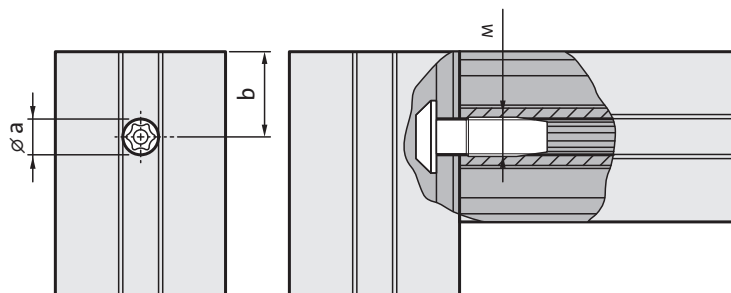
Separately consider statutory regulations and the relevant codes of practice.

Machining of centre bolt

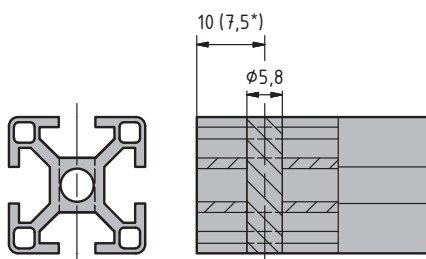
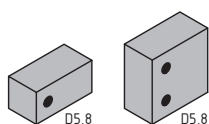


Profile	6	8	10	10L
Drill hole (a)	Ø 5.8 mm	Ø 7.8 mm	Ø 9.8 mm	
Distance (b)	10 mm	15 mm	22.5 mm	
Thread			M12	

Cut thread of metric screws only but not of self-tapping ones.

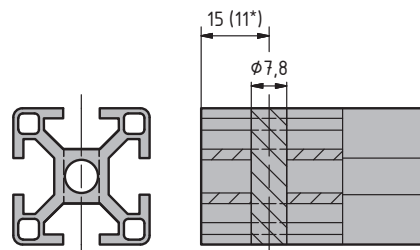
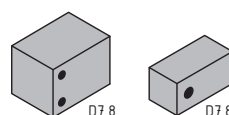


D5.8



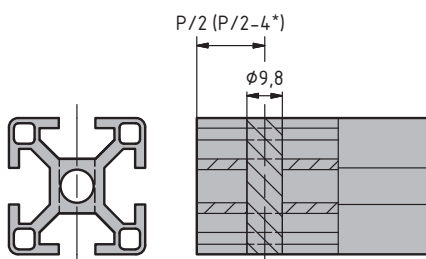
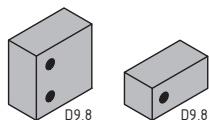
*Drill hole at 7,5 mm to mount the profile to be flush with the cap

D7.8



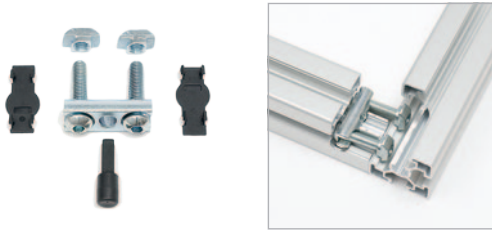
*Drill hole at 11 mm to mount the profile to be flush with the cap

D9.8

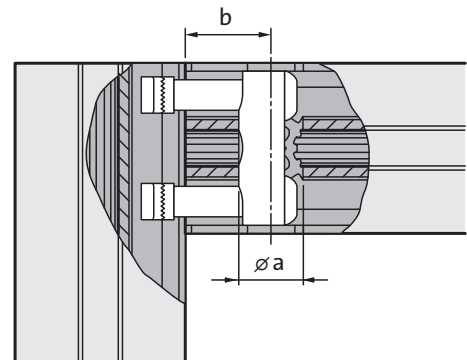


*Drill hole at P/2-4 mm to mount the profile to be flush with the cap

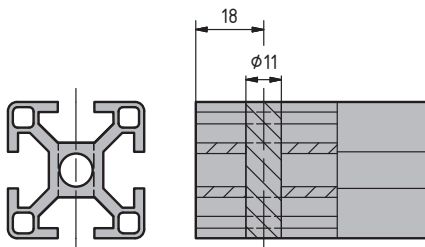
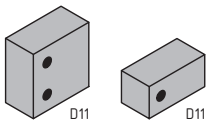
Machining of bolts



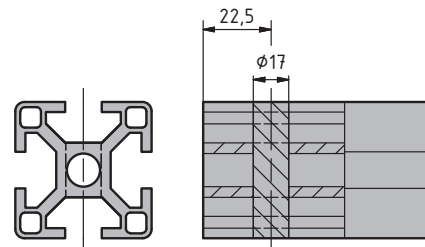
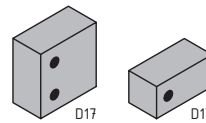
Profile	8	10	10L
Drill hole (a)	∅ 11 mm	∅ 17 mm	
Distance (b)	18 mm	22.5 mm	



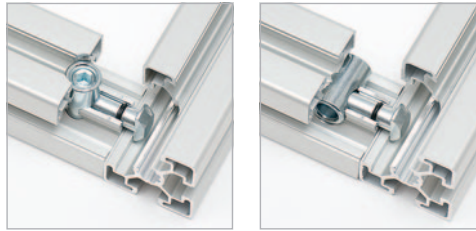
D11



D17



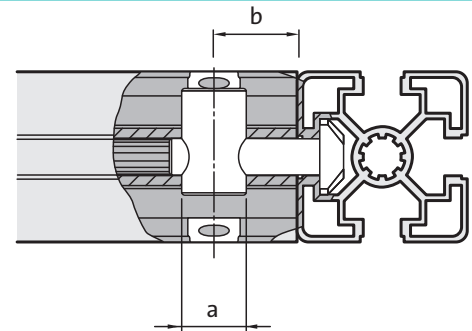
Machining of quick-acting connectors



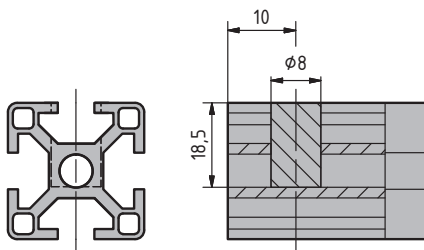
Profile	6	8	10	10L
Drill hole (a)	∅ 8 mm	∅ 11 mm	∅ 17 mm	
Distance (b)	10 mm	18 mm	22.5 mm	
		D11 & DB11	D17 & DB17	

Quick-acting connector with small clamping sleeve:

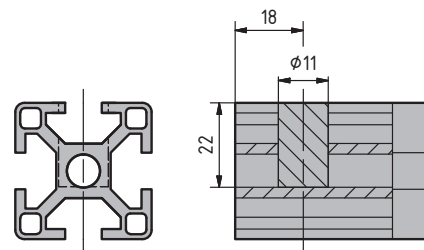
Drill hole (a)	∅ 9.8 mm
Distance (b)	22.5 mm



DB8



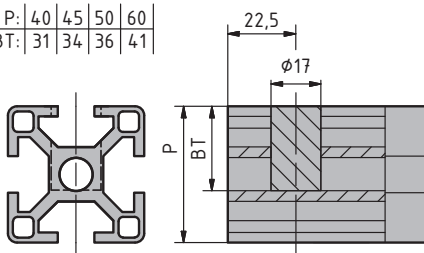
DB11



DB17

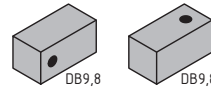


P:	40	45	50	60
BT:	31	34	36	41

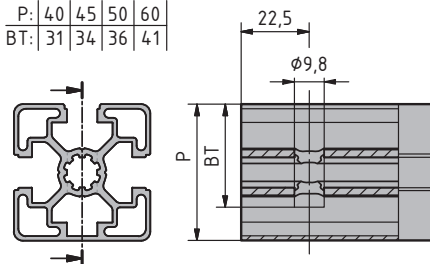


Machining of quick-acting connectors 9.8 on profiles with closed slots

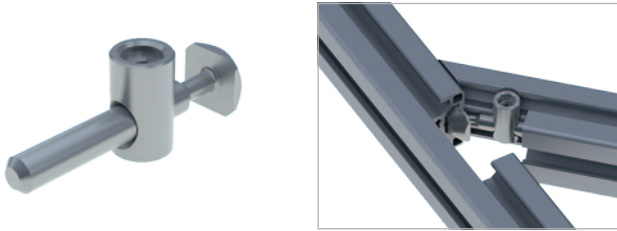
Note: In order not to damage the closed side, set the following stop when drilling:
DB9.8



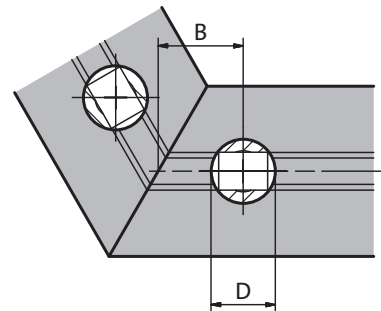
P:	40	45	50	60
BT:	31	34	36	41



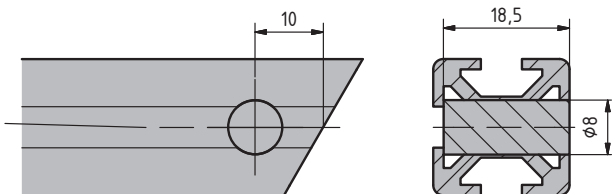
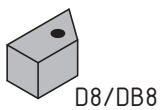
Machining of bending quick-acting connectors



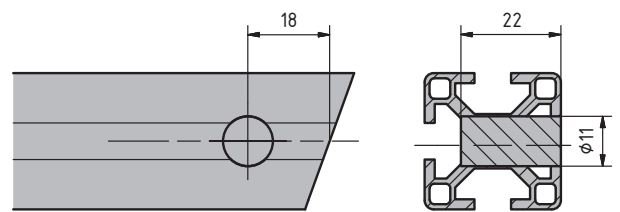
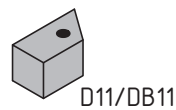
Profile	6	8	10
Drill hole (a)	∅ 8 mm	∅ 11 mm	∅ 17 mm
Distance (b)	10 mm	18 mm	22.5 mm
	D8/DB8	D11 & DB11	D17 & DB17



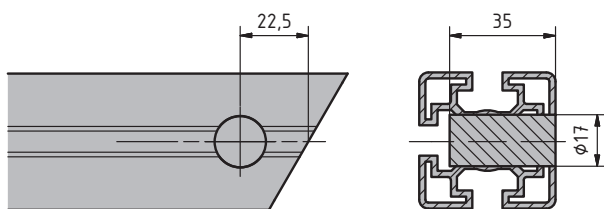
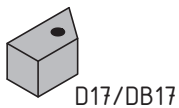
D8/DB8



D11/DB11

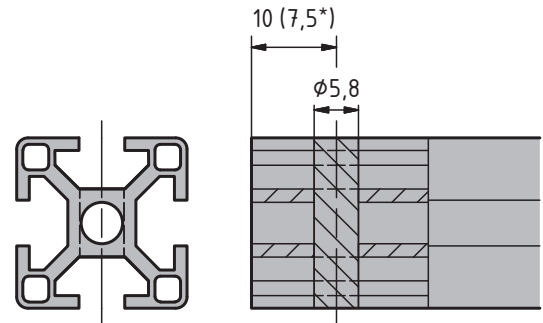
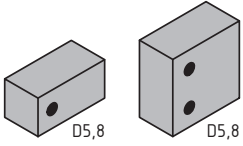


D17/DB17



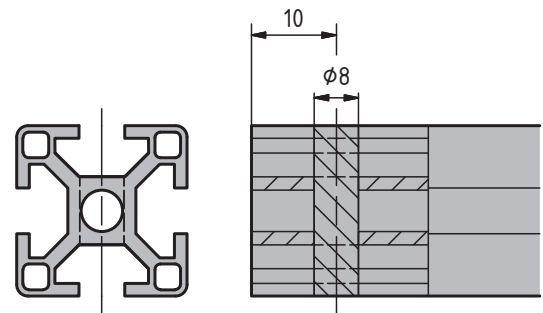
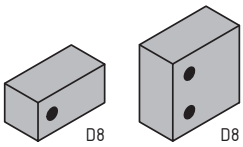
Machining of aluminium profiles – slot 6

D5,8

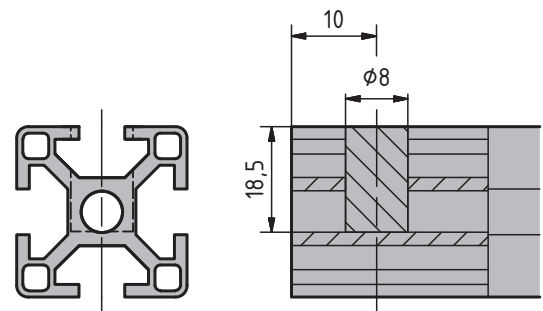
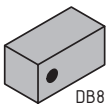


*Drill hole at 7,5 mm to mount the profile to be flush with the cap

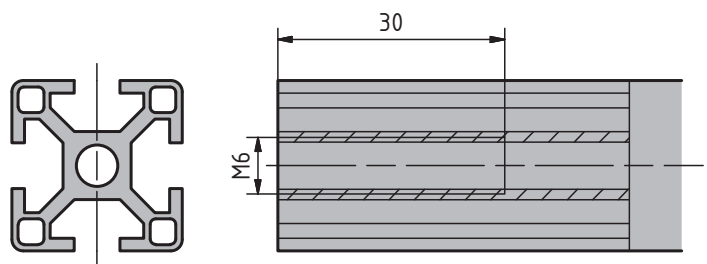
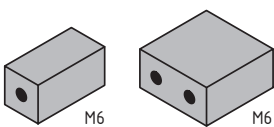
D8



DB8

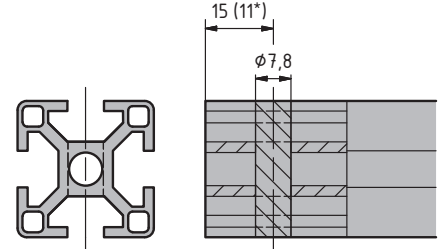
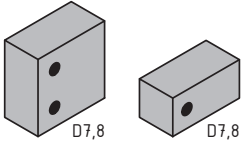


M6



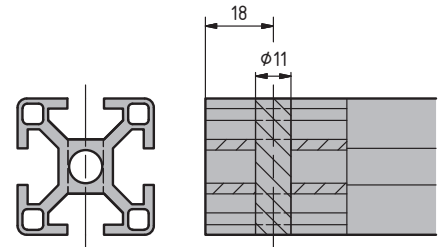
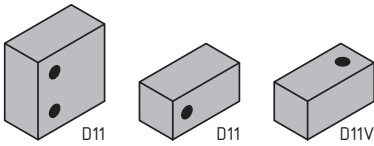
Machining of aluminium profiles – slot 8

D7.8

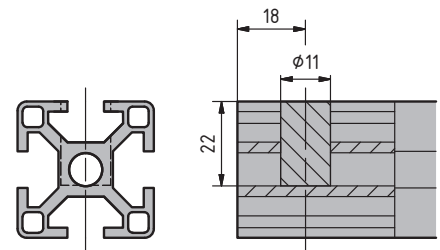
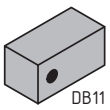


*Drill hole at 11 mm to mount the profile to be flush with the cap

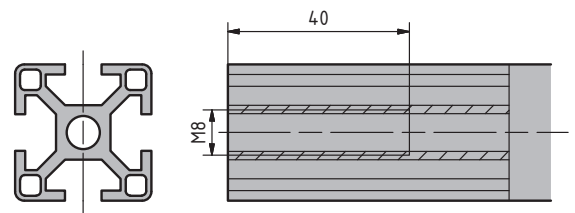
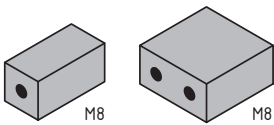
D11



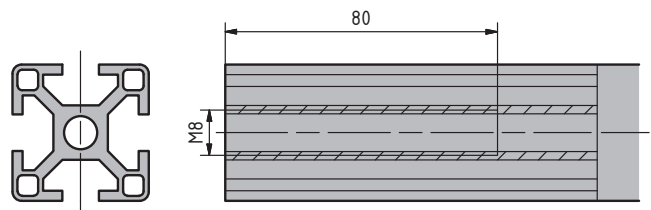
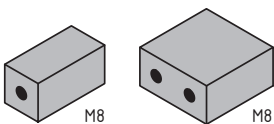
DB11



M8

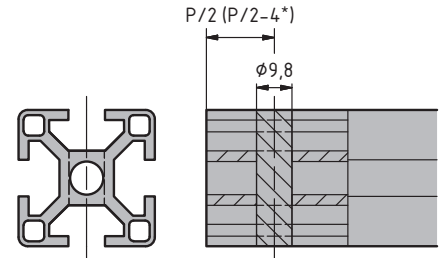
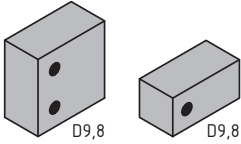


M8L



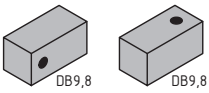
Machining of aluminium profiles – slot 10

D9.8



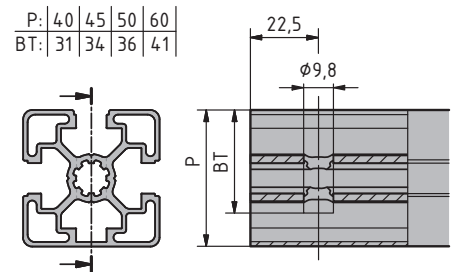
*Drill hole at $P/2-4$ mm to mount the profile to be flush with the cap

DB9.8

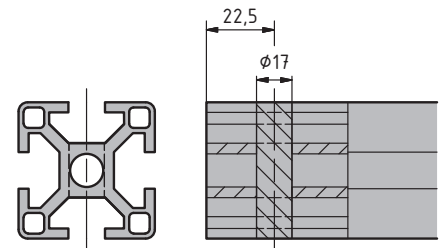
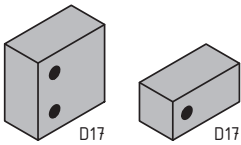


Machining of quick-acting connector 9.8 on profiles with closed slots

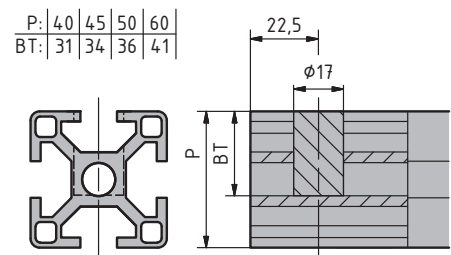
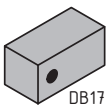
Note: In order not to damage the closed side, set the following stop when drilling:



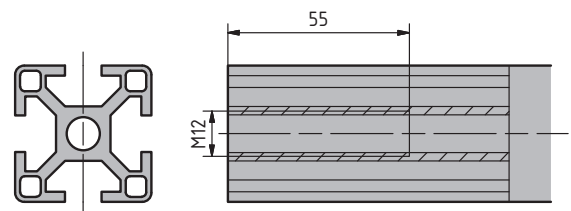
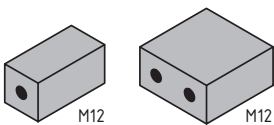
D17



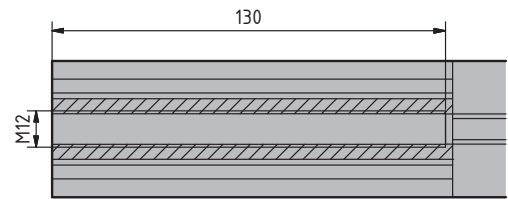
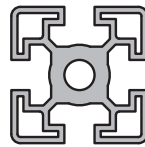
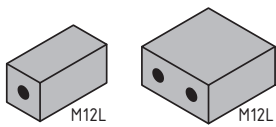
DB17



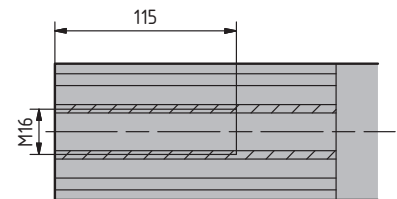
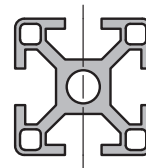
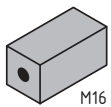
M12



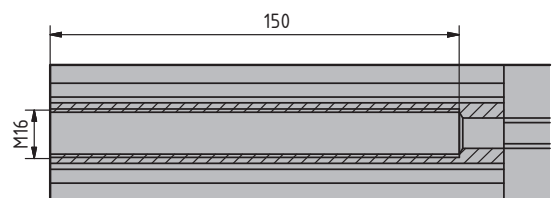
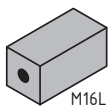
M12L



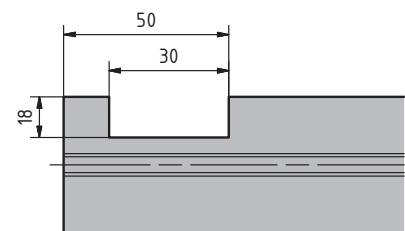
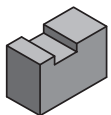
M16



M16L

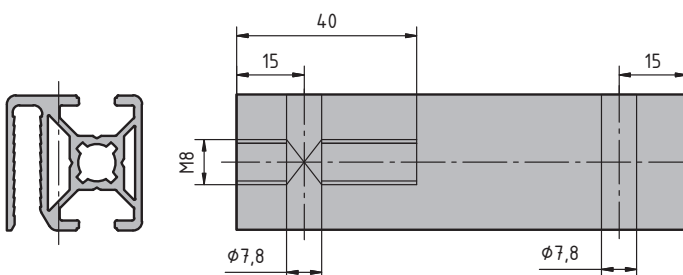


Machining of cross connector F1



Machining of safety grid profile

M8/D7.8V/D7.8V



Radius compensation

Profile processing to avoid gaps and sharp edges at cross or T-connection of profiles with slot 8 or slot 10.

For gapless profile transition.

Radius form at end of profile one-sided or double-sided opposite possible.

No reduction of profile connection resilience (contrary to polyamide radius compensation on the market).

Automatic anti-twist protection due to radius form.

Visual upgrade.

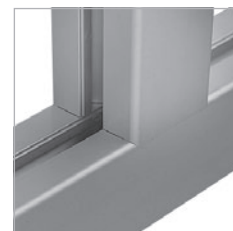
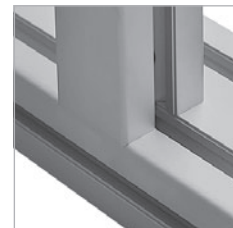
Innovative novelty.

Protected utility model.

Intake of panel elements in slot without additional processing possible.

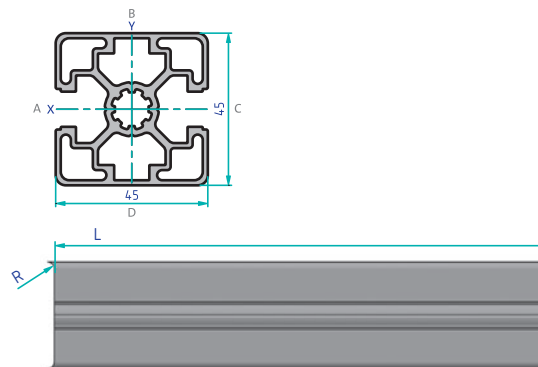
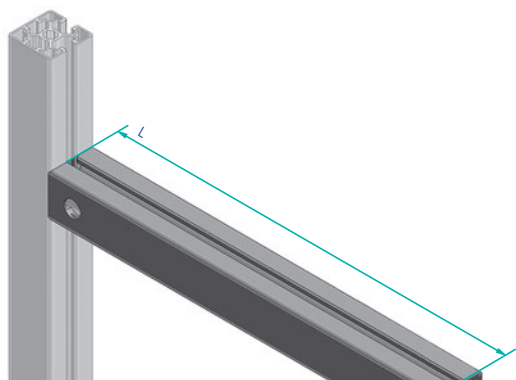
Suitable for every connection technique (central screw, quick-clamping connector ...).

Particularly suitable for application under cleanroom conditions

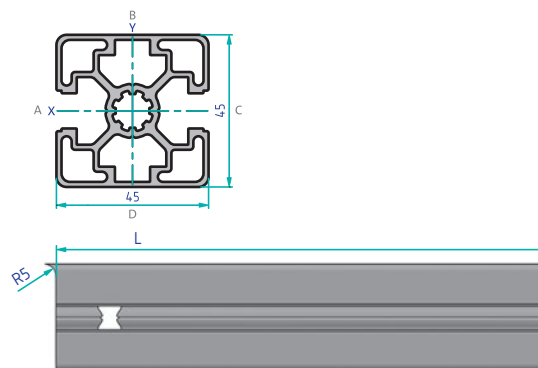
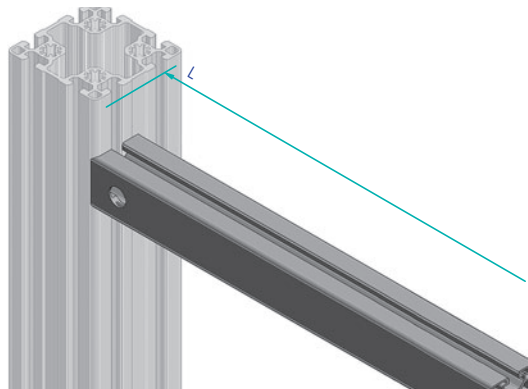


1

ORDER CODES			
Material number (bar)	Installation length L of profile (mm)	Ends machining	Radius compensation
Ordering example 1			
Aluminium profile 45 × 45L 2N Art.: 411992403	500 mm	B = DB17 / DB17	R = 3 mm: B D / B D



ORDER CODES			
Material number (bar)	Installation length L of profile (mm)	Ends machining	Radius compensation
Ordering example 2			
Aluminium profile 45 × 45L 2N Art.: 411992403	500 mm	B = DB17 / DB17	R = 5 mm: B / B



Ordering machined profiles

Our profiles are available as packaging units, bars or face-cut to length without burrs or check our on-site profile machining options.

Choose one of the order codes to specify how you wish the beginning and/or end of the profile to be machined.

That is to say: First of all enter the profile pattern and the target length, then specify the slot designation (A, B, C, D etc.) to say where you wish the profile to be machined. The last step is to choose the machining option that best meets the requirements of your pattern (depending on how the profiles are connected). You may of course combine several machining methods at the beginning and/or end of the profile.

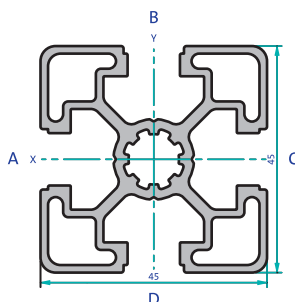
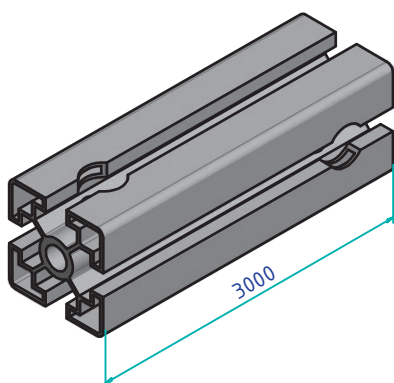
The easy, fast and cost-effective way of ordering your ready-made profile.

Your benefit:

- no bad cuts you have to pay for but cannot use
- requests and ordering made easy without cumbersome drafting

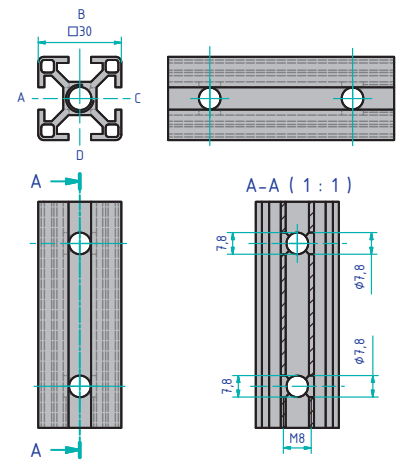
If you prefer, you may of course keep adding a drawing to your request/order, particularly when it comes to special machining methods this system is unable to show.

ORDER CODES				
Material number (bar)	Length (mm)	Slot designation (chapter 1) = machined beginning of aluminium profile	/	machine end of aluminium profile
Example				
Aluminium profile 45 × 45L art. no: 411992425	3000 mm	B = D17 C = —	/	— D17

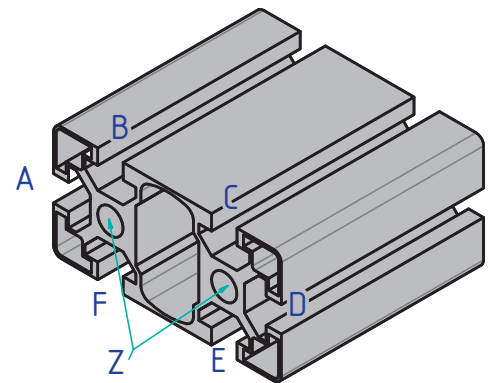


Refer to Page 2|2 and following to find the slot designations of each of the profile sizes (please check every profile separately).

ORDER CODES			
Material number (bar)	Length (mm)	Beginning of profile	End of profile
Example			
Aluminium profile 30 × 30 art. no: 481990720	4000 mm	A = D7.8 B = D7.8 Z = M8	/ D7.8 / D7.8 / —



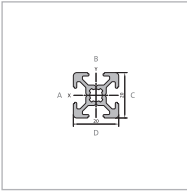
ORDER CODES		6			8			10		
Machining of centre bolt		D5.8	D7.8	M12	D9.8					
Machining of quick-acting connector		DB8	DB11	DB17	D8	D11	D17			
Machining of bolts		D8	D11	D17						
Machining of hinged foot/base plate		M6	M8	M12	M8L	M16	M12L	M16L		
Quick-acting connector DB9.8 for closed profilers				DB9.8						
Use for the following profiles:		411992401 aluminium profile 45 × 45L 1N 411992403 aluminium profile 45 × 45L 2N 411992402 aluminium profile 45 × 45L 2NVS 411992404 aluminium profile 45 × 45L 3N 411992897 aluminium profile 45 × 45L R								
Cross connector				F1						



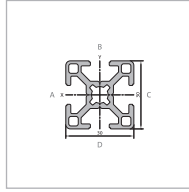
This is just a sample profile. See the notes in the associated profile drawings on Page 2|2 and following.

Refer to Page 1|5 and following for detailed connector machining drawings

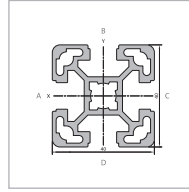
PROFILES



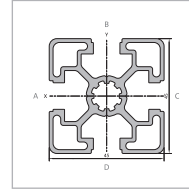
Page 2|2
20-series aluminium profiles, slot 6



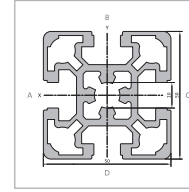
Page 2|4
30-series aluminium profiles, slot 8



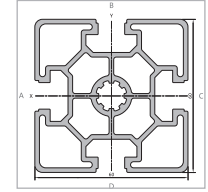
Page 2|7
40-series aluminium profiles, slot 10



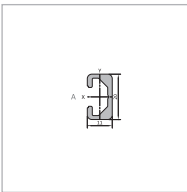
Page 2|10
45-series aluminium profiles, slot 10



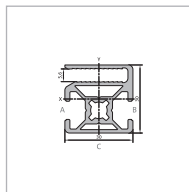
Page 2|19
50-series aluminium profiles, slot 10



Page 2|21
60-series aluminium profiles, slot 10



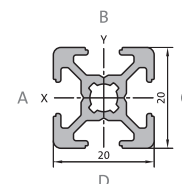
Page 2|22
Special profiles



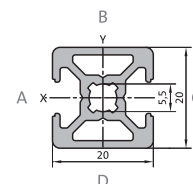
Page 2|24
Safety grid profile

Slot 6
Aluminium profile 20 × 20

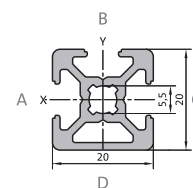
Article number	461517179 (20 bars, 3000 mm each) 461992888 / max. length: 3000 mm
Profile	20 × 20
Slot	6 mm
Mass	0.44 kg/m
Moment of inertia	$I = 0.68 \text{ cm}^4$
Section modulus	$W = 0.68 \text{ cm}^3$
Profile surface	$A = 1.63 \text{ cm}^2$
Radius	R1.5


Aluminium profile 20 × 20 2N

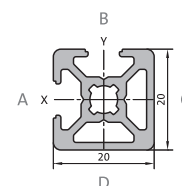
Article number	461536478 (20 bars, 3000 mm each) 461993422 / max. length: 3000 mm
Profile	20 × 20 2N
Slot	6 mm
Mass	0.49 kg/m
Moment of inertia	$I_x = 0.68 \text{ cm}^4$; $I_y = 0.84 \text{ cm}^4$
Section modulus	$W_x = 0.68 \text{ cm}^3$; $W_y = 0.84 \text{ cm}^3$
Profile surface	$A = 1.83 \text{ cm}^2$
Radius	R1.5


Aluminium profile 20 × 20 3N

Article number	461517180 (20 bars, 3000 mm each) 461992889 / max. length: 3000 mm
Profile	20 × 20 3N
Slot	6 mm
Mass	0.46 kg/m
Moment of inertia	$I_x = 0.75 \text{ cm}^4$; $I_y = 0.67 \text{ cm}^4$
Section modulus	$W_x = 0.71 \text{ cm}^3$; $W_y = 0.67 \text{ cm}^3$
Profile surface	$A = 1.72 \text{ cm}^2$
Radius	R1.5


Aluminium profile 20 × 20 2NVS

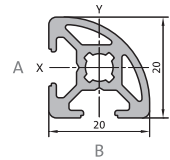
Article number	461519658 (20 bars, 3000 mm each) 461992924 / max. length: 3000 mm
Profile	20 × 20 2NVS
Slot	6 mm
Mass	0.49 kg/m
Moment of inertia	$I = 0.76 \text{ cm}^4$
Section modulus	$W = 0.72 \text{ cm}^3$
Profile surface	$A = 1.82 \text{ cm}^2$
Radius	R1.5



Slot 6

Aluminium profile 20 × 20 R

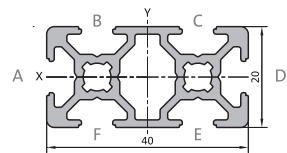
Article number	461517183 (20 bars, 3000 mm each) 461992890 / max. length: 3000 mm
Profile	20 × 20 R
Slot	6 mm
Mass	0.44 kg/m
Moment of inertia	$I = 0.58 \text{ cm}^4$
Section modulus	$W = 0.55 \text{ cm}^3$
Profile surface	$A = 1.62 \text{ cm}^2$
Radius	R1.5



2

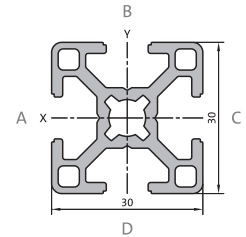
Aluminium profile 20 × 40

Article number	461537816 (24 bars, 3000 mm each) 461992891 / max. length: 3000 mm
Profile	20 × 40
Slot	6 mm
Mass	0.77 kg/m
Moment of inertia	$I_x = 1.20 \text{ cm}^4$; $I_y = 4.61 \text{ cm}^4$
Section modulus	$W_x = 1.2 \text{ cm}^3$; $W_y = 2.31 \text{ cm}^3$
Profile surface	$A = 2.87 \text{ cm}^2$
Radius	R1.5

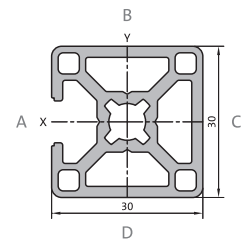


Slot 8
Aluminium profile 30 × 30

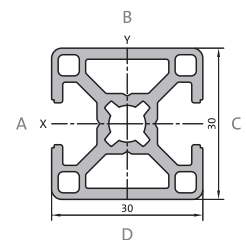
Article number	481509178 (20 bars, 6000 mm each) 481990720 / max. length: 6000 mm
Profile	30 × 30
Slot	8 mm
Mass	0.85 kg/m
Moment of inertia	$I = 2.77 \text{ cm}^4$
Section modulus	$W = 1.85 \text{ cm}^3$
Profile surface	$A = 3.14 \text{ cm}^2$
Radius	R2


Aluminium profile 30 × 30 1N

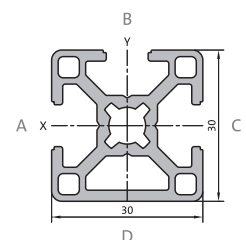
Article number	481506948 (20 bars, 6000 mm each) 481992397 / max. length: 6000 mm
Profile	30 × 30 1N
Slot	8 mm
Mass	1.00 kg/m
Moment of inertia	$I_x = 3.49 \text{ cm}^4$; $I_y = 3.12 \text{ cm}^4$
Section modulus	$W_x = 2.32 \text{ cm}^3$; $W_y = 1.99 \text{ cm}^3$
Profile surface	$A = 3.69 \text{ cm}^2$
Radius	R2


Aluminium profile 30 × 30 2N

Article number	481506950 (20 bars, 6000 mm each) 481992399 / max. length: 6000 mm
Profile	30 × 30 2N
Slot	8 mm
Mass	0.95 kg/m
Moment of inertia	$I_x = 3.47 \text{ cm}^4$; $I_y = 2.76 \text{ cm}^4$
Section modulus	$W_x = 2.32 \text{ cm}^3$; $W_y = 1.86 \text{ cm}^3$
Profile surface	$A = 3.51 \text{ cm}^2$
Radius	R2


Aluminium profile 30 × 30 3N

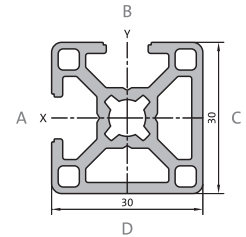
Article number	481506951 (20 bars, 6000 mm each) 481992400 / max. length: 6000 mm
Profile	30 × 30 3N
Slot	8 mm
Mass	0.89 kg/m
Moment of inertia	$I_x = 3.10 \text{ cm}^4$; $I_y = 2.78 \text{ cm}^4$
Section modulus	$W_x = 1.97 \text{ cm}^3$; $W_y = 1.85 \text{ cm}^3$
Profile surface	$A = 3.32 \text{ cm}^2$
Radius	R2



Slot 8

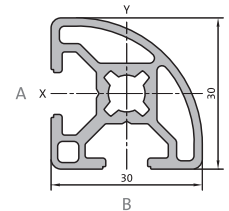
Aluminium profile 30 × 30 2NVS

Article number	481506949 (20 bars, 6000 mm each) 481992398 / max. length: 6000 mm
Profile	30 × 30 2NVS
Slot	8 mm
Mass	0.94 kg/m
Moment of inertia	$I = 3.11 \text{ cm}^4$
Section modulus	$W = 1.98 \text{ cm}^3$
Profile surface	$A = 3.50 \text{ cm}^2$
Radius	R2



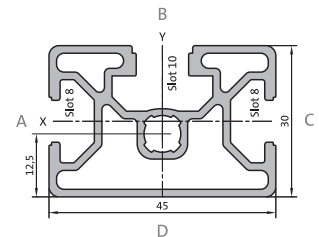
Aluminium profile 30 × 30 R

Article number	481517198 (20 bars, 6000 mm each) 481992896 / max. length: 6000 mm
Profile	30 × 30 R
Slot	8 mm
Mass	0.78 kg/m
Moment of inertia	$I = 2.28 \text{ cm}^4$
Section modulus	$W = 1.41 \text{ cm}^3$
Profile surface	$A = 2.88 \text{ cm}^2$
Radius	R2



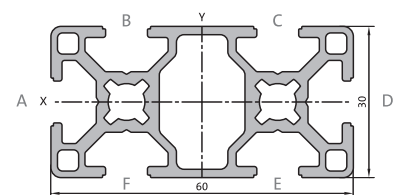
Aluminium profile 30 × 45

Article number	481511704 (18 bars, 6000 mm each) 481992430 / max. length: 6000 mm
Profile	30 × 45
Slot	8 mm
Mass	1.07 kg/m
Moment of inertia	$I_x = 3.86 \text{ cm}^4$; $I_y = 8.16 \text{ cm}^4$
Section modulus	$W_x = 2.49 \text{ cm}^3$; $W_y = 3.63 \text{ cm}^3$
Profile surface	$A = 3.96 \text{ cm}^2$
Radius	R2



Aluminium profile 30 × 60

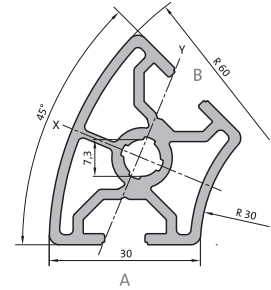
Article number	481512603 (10 bars, 6000 mm each) 481992457 / max. length: 6000 mm
Profile	30 × 60
Slot	8 mm
Mass	1.49 kg/m
Moment of inertia	$I_x = 5.09 \text{ cm}^4$; $I_y = 19.66 \text{ cm}^4$
Section modulus	$W_x = 3.39 \text{ cm}^3$; $W_y = 6.55 \text{ cm}^3$
Profile surface	$A = 5.53 \text{ cm}^2$
Radius	R2



Slot 8

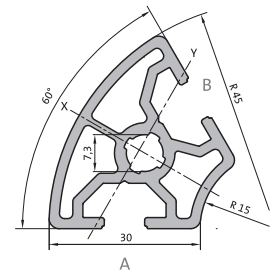
Aluminium profile 30 × 45°

Article number	481524034 (20 bars, 6000 mm each) 481993011 / max. length: 6000 mm
Profile	30 × 45°
Slot	8 mm
Mass	1.11 kg/m
Moment of inertia	$I_x = 5.29 \text{ cm}^4$; $I_y = 3.70 \text{ cm}^4$
Section modulus	$W_x = 2.37 \text{ cm}^3$; $W_y = 2.13 \text{ cm}^3$
Profile surface	4.12 cm ²
Radius	R2



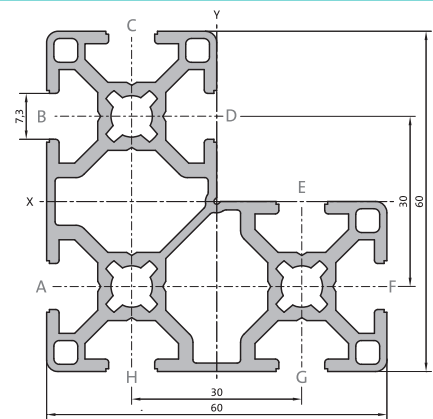
Aluminium profile 30 × 60°

Article number	481524037 (20 bars, 6000 mm each) 481993012 / max. length: 6000 mm
Profile	30 × 60°
Slot	8 mm
Mass	1.01 kg/m
Moment of inertia	$I_x = 4.25 \text{ cm}^4$; $I_y = 3.12 \text{ cm}^4$
Section modulus	$W_x = 1.95 \text{ cm}^3$; $W_y = 1.77 \text{ cm}^3$
Profile surface	3.73 cm ²
Radius	R2



Aluminium profile 30 × 60 × 60

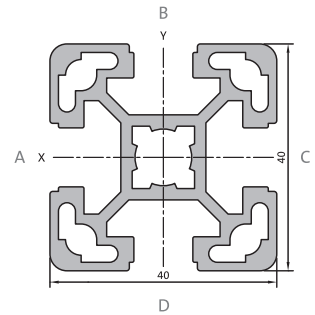
Article number	481524049 (20 bars, 6000 mm each) 481993016 / max. length: 6000 mm
Profile	30 × 60 × 60
Slot	8 mm
Mass	2.22 kg/m
Moment of inertia	$I_x = 26.12 \text{ cm}^4$; $I_y = 26.12 \text{ cm}^4$
Section modulus	$W_x = 7.51 \text{ cm}^3$; $W_y = 7.51 \text{ cm}^3$
Profile surface	8.2 cm ²
Radius	R2



Slot 10
Aluminium profile 40 × 40L

Article number	411529339 (20 bars, 6000 mm each) 411993120 /... max. length: 6000 mm
Profile	40 × 40L
Slot	10 mm
Mass	1.51 kg/m
Moment of inertia	$I = 9.06 \text{ cm}^4$
Section modulus	$W = 4.53 \text{ cm}^3$
Profile surface	$A = 5.61 \text{ cm}^2$
Radius	R3

Note the depth of slot (p 1|2)

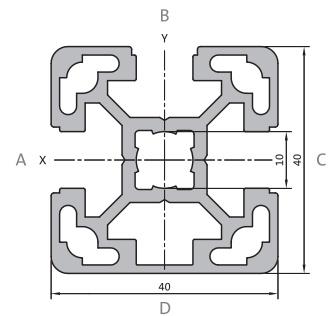


2

Aluminium profile 40 × 40L 3N

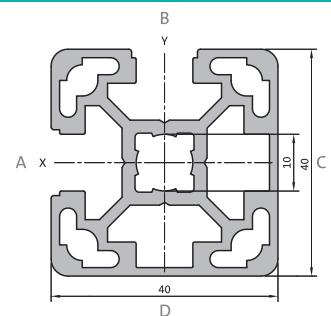
Article number	411529367 (20 bars, 6000 mm each) 411993191 /... max. length: 6000 mm
Profile	40 × 40L 3N
Slot	10 mm
Mass	1.56 kg/m
Moment of inertia	$I_x = 9.69 \text{ cm}^4$; $I_y = 9.08 \text{ cm}^4$
Section modulus	$W_x = 4.71 \text{ cm}^3$; $W_y = 4.54 \text{ cm}^3$
Profile surface	$A = 5.79 \text{ cm}^2$
Radius	R3

Note the depth of slot (p 1|2)


Aluminium profile 40 × 40L 2NVS

Article number	411529365 (20 bars, 6000 mm each) 411993189 /... max. length: 6000 mm
Profile	40 × 40L 2NVS
Slot	10 mm
Mass	1.61 kg/m
Moment of inertia	$I = 9.71 \text{ cm}^4$
Section modulus	$W = 4.72 \text{ cm}^3$
Profile surface	$A = 5.96 \text{ cm}^2$
Radius	R3

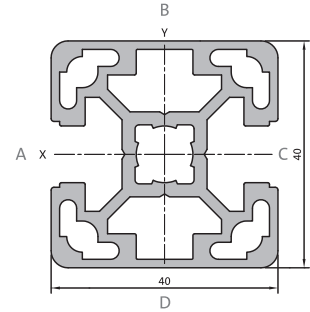
Note the depth of slot (p 1|2)



Aluminium profile 40 × 40L 2N

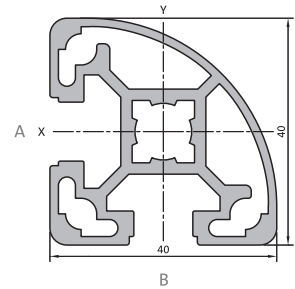
new

Article number	411529363 (20 bars, 6000 mm each) 411993187 /max length: 6000 mm
Profile	40 × 40L 2N
Slot	10 mm
Mass	1.61 kg/m
Moment of inertia	$I_x = 10.36 \text{ cm}^4$; $I_y = 9.10 \text{ cm}^4$
Section modulus	$W_x = 5.18 \text{ cm}^3$; $W_y = 4.55 \text{ cm}^3$
Profile surface	$A = 5.96 \text{ cm}^2$
Radius	R3



Aluminium profile 40 × 40L R

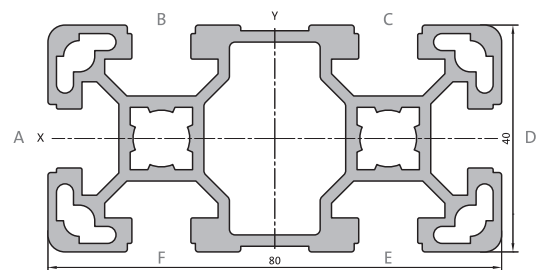
Article number	411529359 (20 bars, 6000 mm each) 411993184 / ... max. length: 6000 mm
Profile	40 × 40L R
Slot	10 mm
Mass	1.28 kg/m
Moment of inertia	$I = 6.78 \text{ cm}^4$
Section modulus	$W = 3.06 \text{ cm}^3$
Profile surface	$A = 4.7 \text{ cm}^2$
Radius	R3



Note the depth of slot (p 1|2)

Aluminium profile 40 × 80L

Article number	411529341 (12 bars, 6000 mm each) 411993130 / ... max. length: 6000 mm
Profile	40 × 80L
Slot	10 mm
Mass	2.67 kg/m
Moment of inertia	$I_x = 17.23 \text{ cm}^4$; $I_y = 62.34 \text{ cm}^4$
Section modulus	$W_x = 8.61 \text{ cm}^3$; $W_y = 15.81 \text{ cm}^3$
Profile surface	$A = 9.6 \text{ cm}^2$
Radius	R3

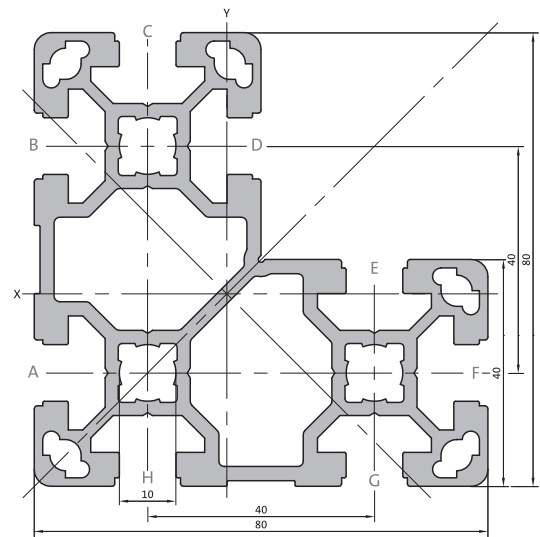


Note the depth of slot (p 1|2)

Slot 10

Aluminium profile 40 × 80 × 80L

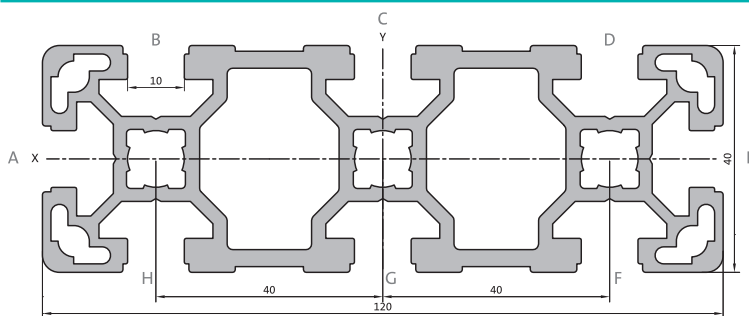
Article number	411537827 (8 bars, 6000 mm each) 411993193 /... max. length: 6000 mm
Profile	40 × 80 × 80L
Slot	10 mm
Mass	4.16 kg/m
Moment of inertia	$I = 91.51 \text{ cm}^4$
Section modulus	$W = 19.89 \text{ cm}^3$
Profile surface	$A = 15.41 \text{ cm}^2$
Radius	R3



Note the depth of slot (p 1|2)

Aluminium profile 40 × 120L

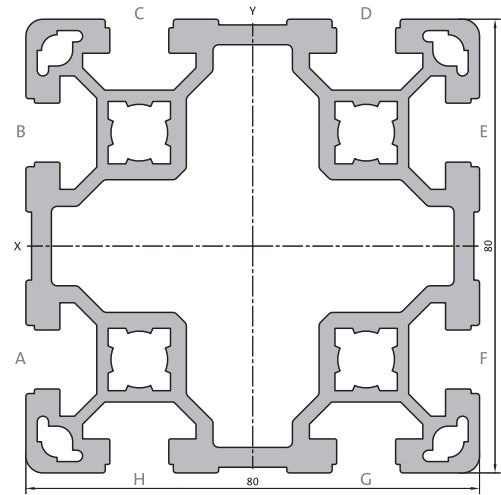
Article number	411537824 (8 bars, 6000 mm each) 411993139 /... max. length: 6000 mm
Profile	40 × 120L
Slot	10 mm
Mass	4.14 kg/m
Moment of inertia	$I_x = 201.95 \text{ cm}^4$; $I_y = 27.76 \text{ cm}^4$
Section modulus	$W_x = 33.66 \text{ cm}^3$; $W_y = 13.88 \text{ cm}^3$
Profile surface	$A = 15.35 \text{ cm}^2$
Radius	R3



Slot 10

Aluminium profile 80 × 80L

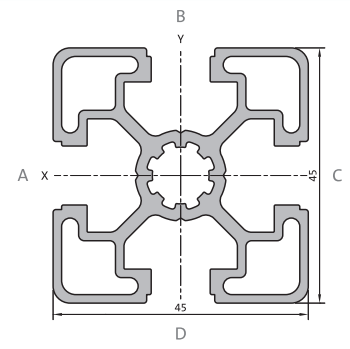
Article number	411529347 (6 bars, 6000 mm each) 411993133 / max. length: 6000 mm
Profile	80 × 80L
Slot	10 mm
Mass	4.98 kg/m
Moment of inertia	$I = 132.62 \text{ cm}^4$
Section modulus	$W = 33.16 \text{ cm}^3$
Profile surface	$A = 18.45 \text{ cm}^2$
Radius	R3



Note the depth of slot (p 1|2)

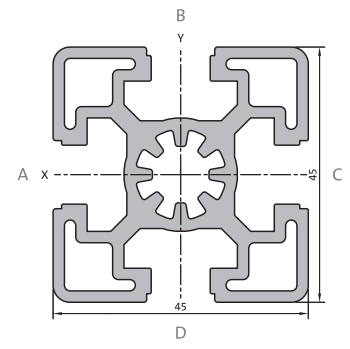
Aluminium profile 45 × 45L

Article number	411511702 (20 bars, 6000 mm each) 411992425 /... max. length: 6000 mm
Profile	45 × 45L
Slot	10 mm
Mass	1.55 kg/m
Moment of inertia	$I = 11.00 \text{ cm}^4$
Section modulus	$W = 4.89 \text{ cm}^3$
Profile surface	$A = 5.73 \text{ cm}^2$
Radius	R3



Aluminium profile 45 × 45

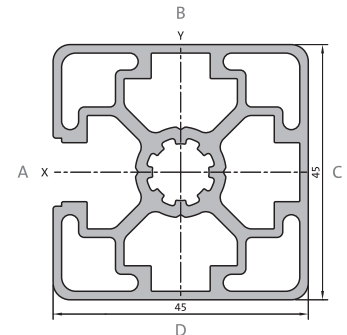
Article number	411509175 (20 bars, 6000 mm each) 411990520 /... max. length: 6000 mm
Profile	45 × 45
Slot	10 mm
Mass	2.03 kg/m
Moment of inertia	$I = 13.94 \text{ cm}^4$
Section modulus	$W = 6.19 \text{ cm}^3$
Profile surface	$A = 7.50 \text{ cm}^2$
Radius	R3



Slot 10

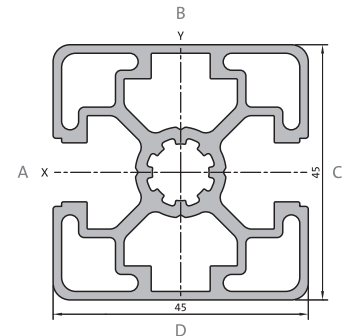
Aluminium profile 45 × 45L 1N

Article number	411506956 (20 bars, 6000 mm each) 411992401 /... max. length: 6000 mm
Profile	45 × 45L 1N
Slot	10 mm
Mass	1.69 kg/m
Moment of inertia	$I_x = 12.52 \text{ cm}^4$; $I_y = 11.66 \text{ cm}^4$
Section modulus	$W_x = 5.57 \text{ cm}^3$; $W_y = 5.04 \text{ cm}^3$
Profile surface	$A = 6.25 \text{ cm}^2$
Radius	R3



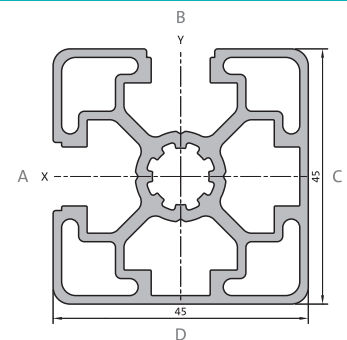
Aluminium profile 45 × 45L 2N

Article number	411506958 (20 bars, 6000 mm each) 411992403 /... max. length: 6000 mm
Profile	45 × 45L 2N
Slot	10 mm
Mass	1.64 kg/m
Moment of inertia	$I_x = 12.66 \text{ cm}^4$; $I_y = 11.04 \text{ cm}^4$
Section modulus	$W_x = 5.63 \text{ cm}^3$; $W_y = 4.91 \text{ cm}^3$
Profile surface	$A = 6.08 \text{ cm}^2$
Radius	R3



Aluminium profile 45 × 45L 2NVS

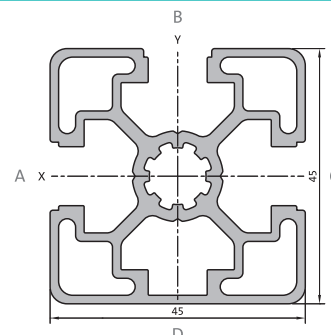
Article number	411506957 (20 bars, 6000 mm each) 411992402 /... max. length: 6000 mm
Profile	45 × 45L 2NVS
Slot	10 mm
Mass	1.64 kg/m
Moment of inertia	$I = 11.82 \text{ cm}^4$
Section modulus	$W = 5.11 \text{ cm}^3$
Profile surface	$A = 6.08 \text{ cm}^2$
Radius	R3



Slot 10

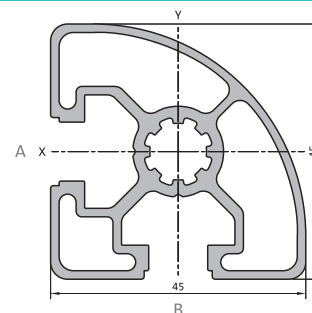
Aluminium profile 45 × 45L 3N

Article number	411506959 (20 bars, 6000 mm each) 411992404 /... max. length: 6000 mm
Profile	45 × 45L 3N
Slot	10 mm
Mass	1.57 kg/m
Moment of inertia	$I_x = 11.65 \text{ cm}^4$; $I_y = 10.87 \text{ cm}^4$
Section modulus	$W_x = 5.03 \text{ cm}^3$; $W_y = 4.83 \text{ cm}^3$
Profile surface	$A = 5.83 \text{ cm}^2$
Radius	R3



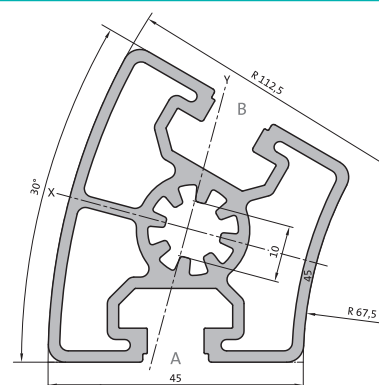
Aluminium profile 45 × 45L R

Article number	411517200 (20 bars, 6000 mm each) 411992897 /... max. length: 6000 mm
Profile	45 × 45L R
Slot	10 mm
Mass	1.27 kg/m
Moment of inertia	$I = 8.01 \text{ cm}^4$
Section modulus	$W = 3.20 \text{ cm}^3$
Profile surface	$A = 4.70 \text{ cm}^2$
Radius	R3



Aluminium profile 45 × 30°

Article number	411524040 (20 bars, 6000 mm each) 411993013 /... max. length: 6000 mm
Profile	45 × 30°
Slot	10 mm
Mass	1.86 kg/m
Moment of inertia	$I_x = 15.18 \text{ cm}^4$; $I_y = 12.72 \text{ cm}^4$
Section modulus	$W_x = 5.34 \text{ cm}^3$; $W_y = 5.04 \text{ cm}^3$
Profile surface	$A = 6.89 \text{ cm}^2$
Radius	R3

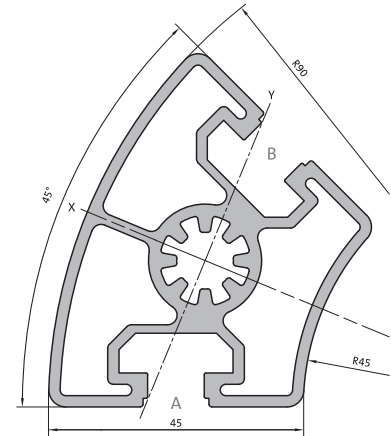


Note the depth of slot (p 1|2)

Aluminium profile 45 × 45°

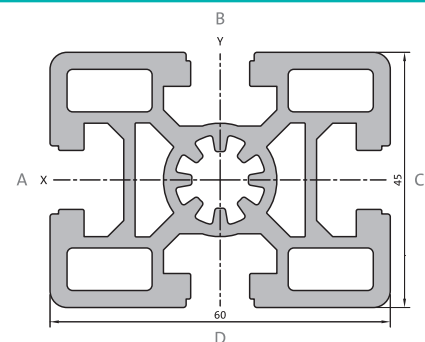
new

Article number	411524043 (20 bars, 6000 mm each) 411993014 /max length: 6000 mm
Profile	45 × 45°
Slot	10 mm
Mass	2.00 kg/m
Moment of inertia	$I_x = 19.95 \text{ cm}^4$, $I_y = 14.45 \text{ cm}^4$
Section modulus	$W_x = 5.49 \text{ cm}^3$, $W_y = 4.83 \text{ cm}^3$
Profile surface	$A = 7.41 \text{ cm}^2$
Radius	R3



Aluminium profile 45 × 60

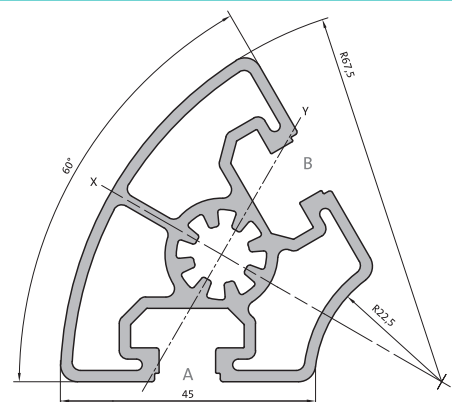
Article number	411509184 (20 bars, 6000 mm each) 411990570 / ... max. length: 6000 mm
Profile	45 × 60
Slot	10 mm
Mass	3.01 kg/m
Moment of inertia	$I_x = 22.66 \text{ cm}^4$; $I_y = 37.55 \text{ cm}^4$
Section modulus	$W_x = 10.07 \text{ cm}^3$; $W_y = 12.52 \text{ cm}^3$
Profile surface	$A = 11.14 \text{ cm}^2$
Radius	R3



Aluminium profile 45 × 60°

new

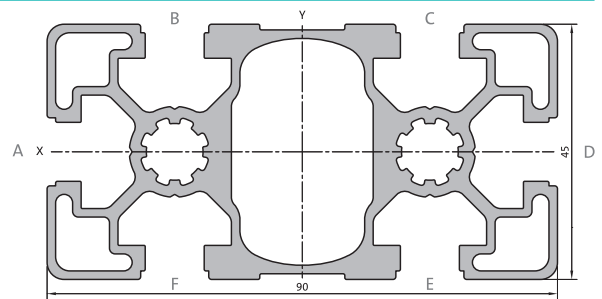
Article number	411524046 (20 bars, 6000 mm each) 411993015 /max length: 6000 mm
Profile	45 × 60°
Slot	10 mm
Mass	1.83 kg/m
Moment of inertia	$I_x = 16.94 \text{ cm}^4$, $I_y = 11.39 \text{ cm}^4$
Section modulus	$W_x = 5.19 \text{ cm}^3$, $W_y = 4.37 \text{ cm}^3$
Profile surface	$A = 6.78 \text{ cm}^2$
Radius	R3



Slot 10

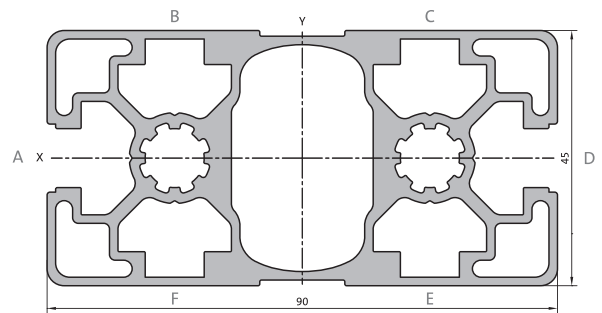
Aluminium profile 45 × 90L

Article number	411511782 (12 bars, 6000 mm each) 411992432 / ... max. length: 6000 mm
Profile	45 × 90L
Slot	10 mm
Mass	3.05 kg/m
Moment of inertia	$I_x = 23.53 \text{ cm}^4$, $I_y = 81.82 \text{ cm}^4$
Section modulus	$W_x = 10.31 \text{ cm}^3$; $W_y = 18.18 \text{ cm}^3$
Profile surface	$A = 11.29 \text{ cm}^2$
Radius	R3



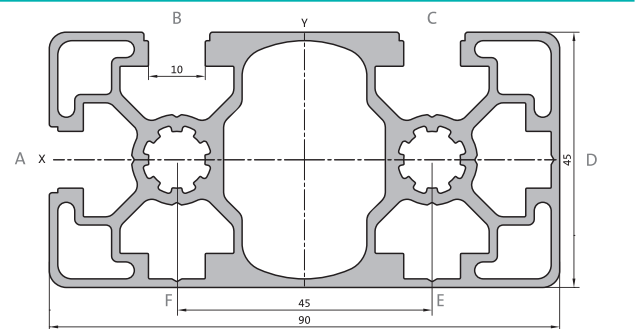
Aluminium profile 45 × 90L 2N

Article number	411538299 (12 bars, 6000 mm each) 411993644 / max. length: 6000 mm
Profile	45 × 90L 2N
Slot	10 mm
Mass	3.31 kg/m
Moment of inertia	$I_x = 25.89 \text{ cm}^4$; $I_y = 85.59 \text{ cm}^4$
Section modulus	$W_x = 6 \text{ cm}^3$; $W_y = 38.10 \text{ cm}^3$
Profile surface	12.0 cm^2
Radius	R3



Aluminium profile 45 × 90L 3NVS

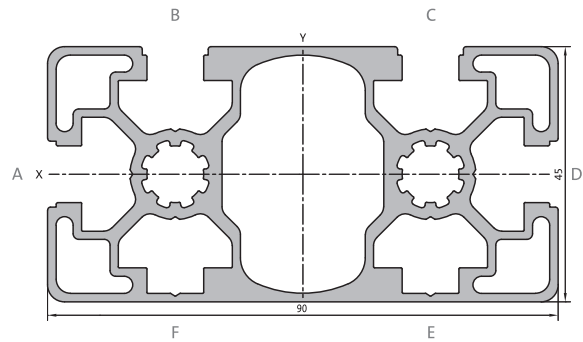
Article number	411538298 (12 bars, 6000 mm each) 411993635 / ... max. length: 6000 mm
Profile	45 × 90L 3NVS
Slot	10 mm
Mass	3.15 kg/m
Moment of inertia	$I_x = 86.78 \text{ cm}^4$, $I_y = 24.93 \text{ cm}^4$
Section modulus	$W_x = 19.01 \text{ cm}^3$; $W_y = 10.77 \text{ cm}^3$
Profile surface	$A = 11.66 \text{ cm}^2$
Radius	R3



Aluminium profile 45 × 90L 4N

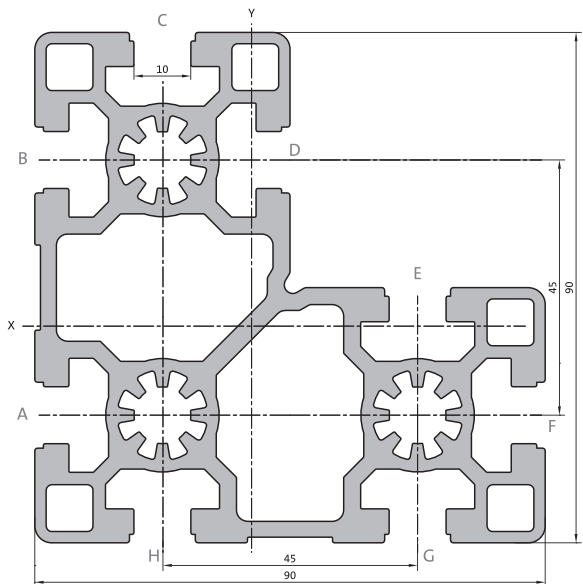
new

Article number	411459000 (12 bars, 6000 mm each) 411459099 /max length: 6000 mm
Profile	45 × 90L 4N
Slot	10 mm
Mass	2.97 kg/m
Moment of inertia	$I_x = 82.59 \text{ cm}^4$, $I_y = 24.84 \text{ cm}^4$
Section modulus	$W_x = 18.35 \text{ cm}^3$, $W_y = 10.71 \text{ cm}^3$
Profile surface	$A = 11.00 \text{ cm}^2$
Radius	R3



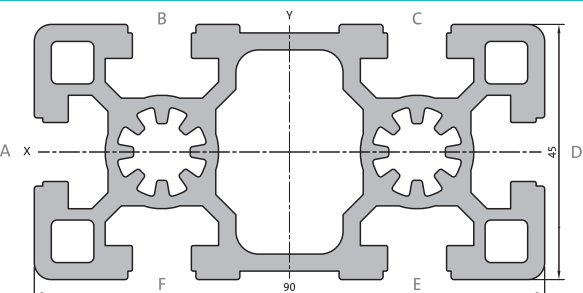
Aluminium profile 45 × 90 × 90L

Article number	411537823 (8 bars, 6000 mm each) 411992387 / ... max. length: 6000 mm
Profile	45 × 90 × 90L
Slot	10 mm
Mass	5.67 kg/m
Moment of inertia	$I_x = 100.56 \text{ cm}^4$, $I_y = 203.33 \text{ cm}^4$
Section modulus	$W_x = 29.34 \text{ cm}^3$; $W_y = 29.34 \text{ cm}^3$
Profile surface	$A = 21.01 \text{ cm}^2$
Radius	R3



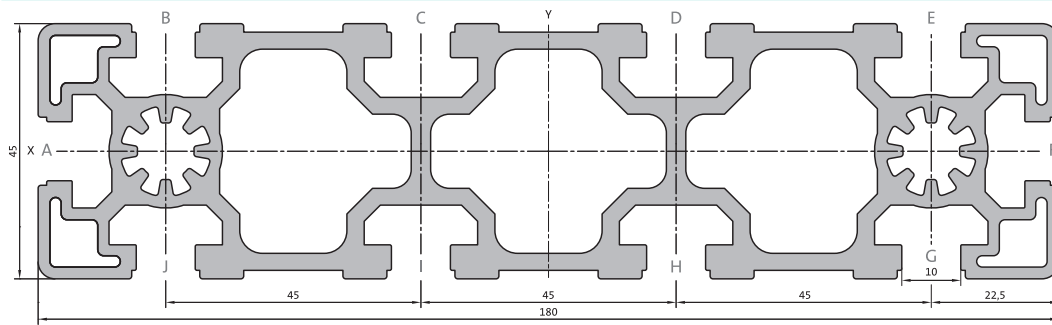
Aluminium profile 45 × 90

Article number	411509186 (12 bars, 6000 mm each) 411990300 / ... max. length: 6000 mm
Profile	45 × 90
Slot	10 mm
Mass	4.12 kg/m
Moment of inertia	$I_x = 32.25 \text{ cm}^4$, $I_y = 124.05 \text{ cm}^4$
Section modulus	$W_x = 14.33 \text{ cm}^3$; $W_y = 27.57 \text{ cm}^3$
Profile surface	$A = 15.24 \text{ cm}^2$
Radius	R3



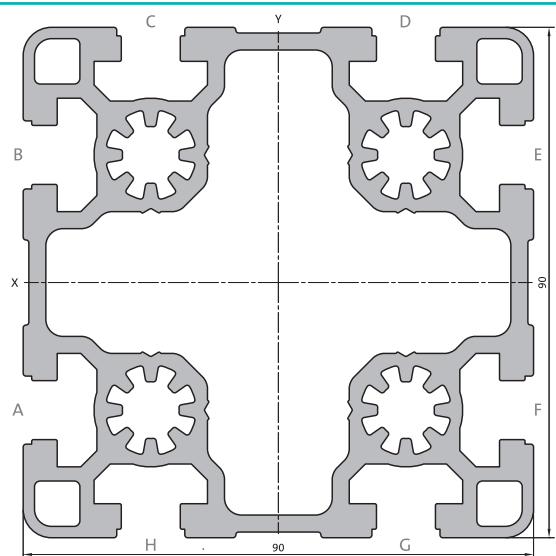
Aluminium profile 45 × 180

Article number	411509187 (6 bars, 6000 mm each) 411990335 /... max. length: 6000 mm
Profile	45 × 180
Slot	10 mm
Mass	6.96 kg/m
Moment of inertia	$I_x = 57.77 \text{ cm}^4$, $I_y = 771.07 \text{ cm}^4$
Section modulus	$W_x = 25.68 \text{ cm}^3$; $W_y = 85.67 \text{ cm}^3$
Profile surface	$A = 25.76 \text{ cm}^2$
Radius	R3



Aluminium profile 90 × 90L

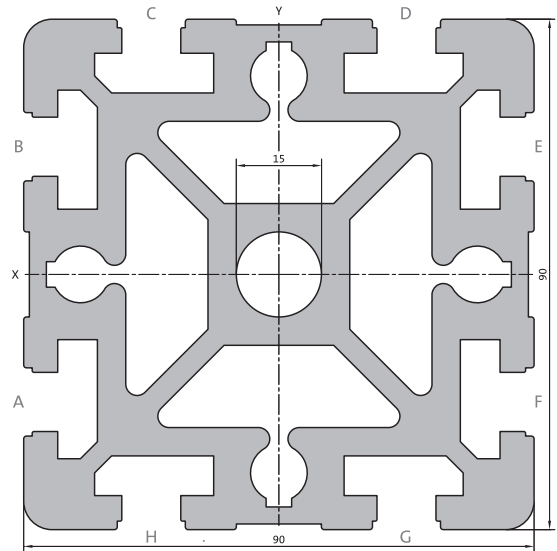
Article number	411509658 (6 bars, 6000 mm each) 411992415 / max. length: 6000 mm
Profile	90 × 90L
Slot	10 mm
Mass	6.34 kg/m
Moment of inertia	$I = 210.50 \text{ cm}^4$
Section modulus	$W = 46.78 \text{ cm}^3$
Profile surface	$A = 23.46 \text{ cm}^2$
Radius	R5



Slot 10

Aluminium profile 90 × 90

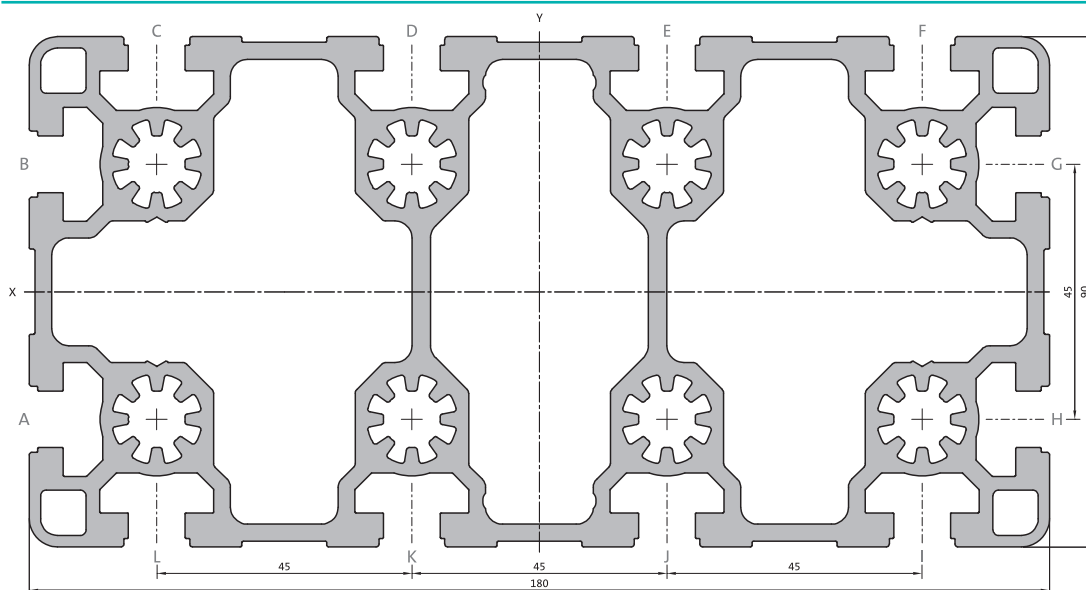
Article number	411509189 (6 bars, 6000 mm each) 411990500 / max. length: 6000 mm
Profile	90 × 90
Slot	10 mm
Mass	10.51 kg/m
Moment of inertia	$I = 301.85 \text{ cm}^4$
Section modulus	$W = 67.07 \text{ cm}^3$
Profile surface	$A = 38.93 \text{ cm}^2$
Radius	R5



2

Aluminium profile 90 × 180L

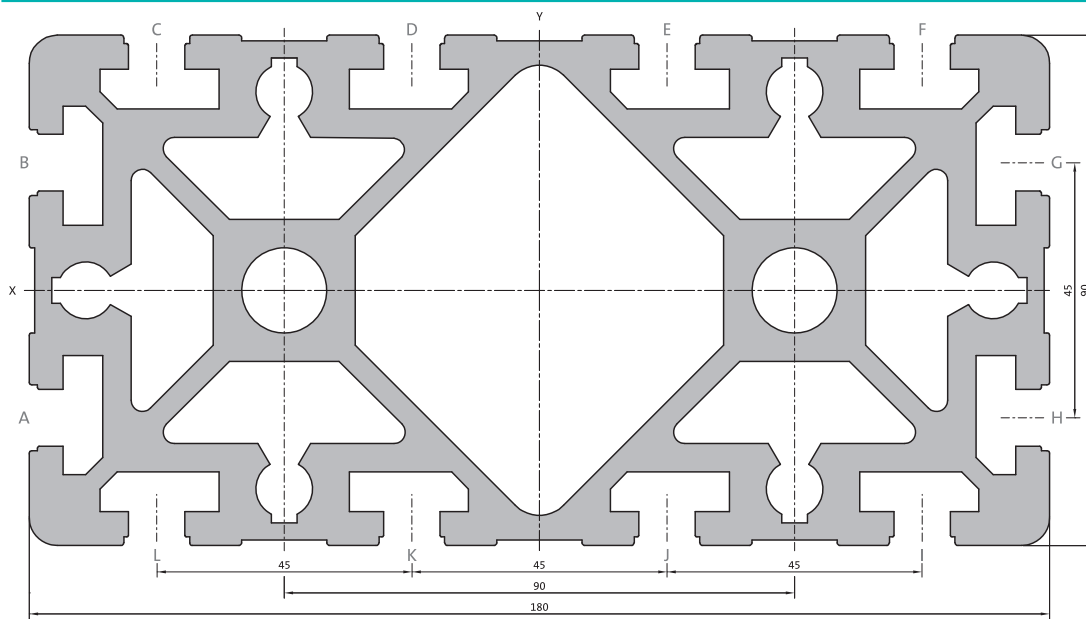
Article number	411516015 (3 bars, 6000 mm each) 411992857 / max. length: 6000 mm
Profile	90 × 180L
Slot	10 mm
Mass	11.44 kg/m
Moment of inertia	$I_x = 398.86 \text{ cm}^4$; $I_y = 1377.86 \text{ cm}^4$
Section modulus	$W_x = 88.63 \text{ cm}^3$; $W_y = 153.10 \text{ cm}^3$
Profile surface	42.73 cm^2
Radius	R5



Slot 10

Aluminium profile 90 × 180

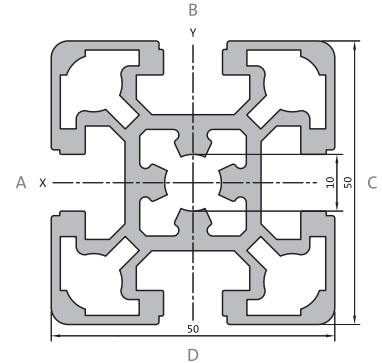
Article number	411509188 (3 bars, 6000 mm each) 411990416 / max. length: 6000 mm
Profile	90 × 180
Slot	10 mm
Mass	17.17 kg/m
Moment of inertia	$I_x = 547.41 \text{ cm}^4$; $I_y = 2142.88 \text{ cm}^4$
Section modulus	$W_x = 121.64 \text{ cm}^3$; $W_y = 238.10 \text{ cm}^3$
Profile surface	63.57 cm^2
Radius	R5



Slot 10

Aluminium profile 50 × 50L

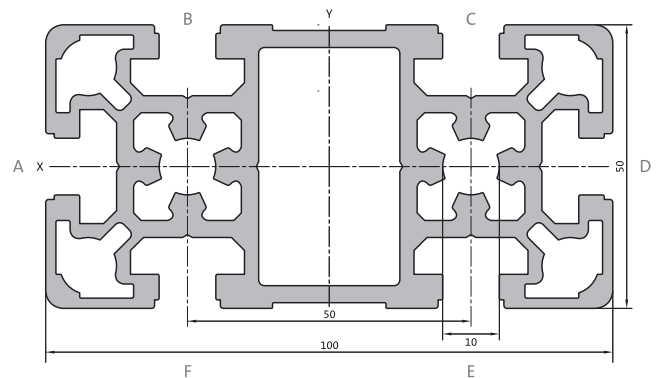
Article number	411529351 (20 bars, 6000 mm each) 411993156 /... max. length: 6000 mm
Profile	50 × 50L
Slot	10 mm
Mass	2.57 kg/m
Moment of inertia	$I = 21.68 \text{ cm}^4$
Section modulus	$W = 8.67 \text{ cm}^3$
Profile surface	$A = 9.52 \text{ cm}^2$
Same depth of slot as in slot 10	12.5 mm
Radius	R3



2

Aluminium profile 50 × 100L

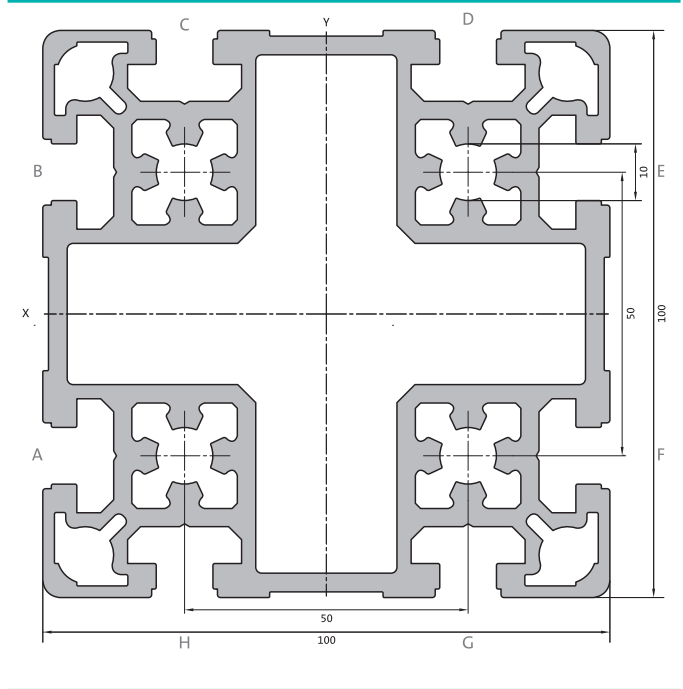
Article number	411537825 (10 bars, 6000 mm each) 411993163 /... max. length: 6000 mm
Profile	50 × 100L
Slot	10 mm
Mass	4.73 kg/m
Moment of inertia	$I_x = 43.00 \text{ cm}^4$; $I_y = 165.70 \text{ cm}^4$
Section modulus	$W_x = 17.20 \text{ cm}^3$; $W_y = 33.14 \text{ cm}^3$
Profile surface	$A = 17.51 \text{ cm}^2$
Same depth of slot as in slot 10	12.5 mm
Radius	R3



Slot 10

Aluminium profile 100 × 100L

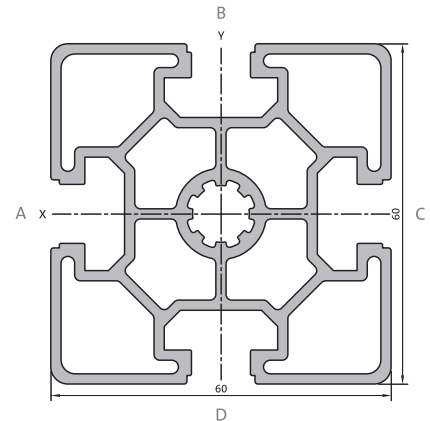
Article number	411529355 (6 bars, 6000 mm each) 411993171 / max. length: 6000 mm
Profile	100 × 100L
Slot	10 mm
Mass	8.12 kg/m
Moment of inertia	$I = 318.90 \text{ cm}^4$
Section modulus	$W = 63.78 \text{ cm}^3$
Profile surface	$A = 30.10 \text{ cm}^2$
Same depth of slot as in slot 10	12.5 mm
Radius	R3



Slot 10

Aluminium profile 60 × 60L

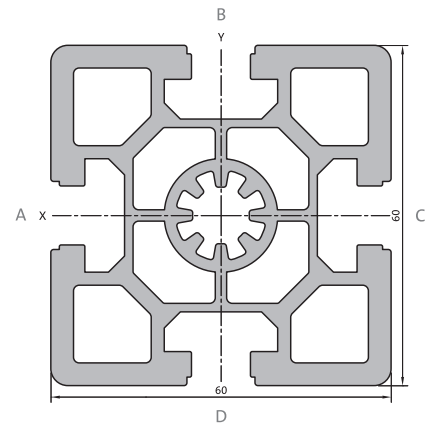
Article number	411511872 (20 bars, 6000 mm each) 411992443 / max. length: 6000 mm
Profile	60 × 60L
Slot	10 mm
Mass	2.57 kg/m
Moment of inertia	$I = 31.71 \text{ cm}^4$
Section modulus	$W = 10.57 \text{ cm}^3$
Profile surface	$A = 9.52 \text{ cm}^2$
Radius	R3



2

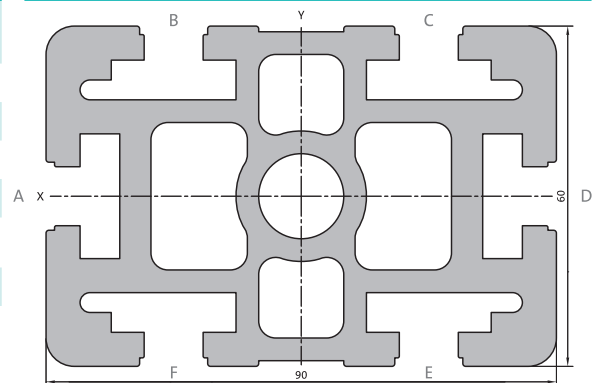
Aluminium profile 60 × 60

Article number	411509185 (20 bars, 6000 mm each) 411990350 / max. length: 6000 mm
Profile	60 × 60
Slot	10 mm
Mass	3.86 kg/m
Moment of inertia	$I = 52.69 \text{ cm}^4$
Section modulus	$W = 17.56 \text{ cm}^3$
Profile surface	$A = 14.31 \text{ cm}^2$
Radius	R3



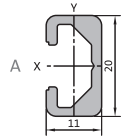
Aluminium profile 60 × 90

Article number	411509183 (10 bars, 6000 mm each) 411990450 / max. length: 6000 mm
Profile	60 × 90
Slot	10 mm
Mass	6.92 kg/m
Moment of inertia	$I_x = 94.43 \text{ cm}^4$; $I_y = 212.45 \text{ cm}^4$
Section modulus	$W_x = 30.14 \text{ cm}^3$; $W_y = 47.21 \text{ cm}^3$
Profile surface	$A = 25.64 \text{ cm}^2$
Radius	R5

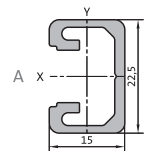


Slot 8-10
Aluminium profile 11 × 20

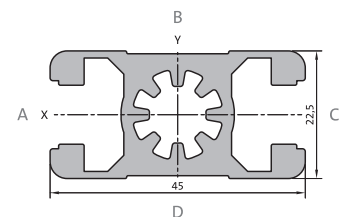
Article number	481513581 (10 bars, 2000 mm each) 481992476 / max. length: 2000 mm
Profile	11 × 20
Slot	8 mm
Mass	0.28 kg/m
Moment of inertia	$I_x = 0.52 \text{ cm}^4$, $I_y = 0.13 \text{ cm}^4$
Section modulus	$W_x = 0.52 \text{ cm}^3$; $W_y = 0.2 \text{ cm}^3$
Profile surface	$A = 1.02 \text{ cm}^2$
Radius	R2


Aluminium profile 15 × 22.5

Article number	411513576 (10 bars, 3000 mm each) 411992473 / max. length: 3000 mm
Profile	15 × 22.5
Slot	10 mm
Mass	0.33 kg/m
Moment of inertia	$I_x = 0.81 \text{ cm}^4$, $I_y = 0.33 \text{ cm}^4$
Section modulus	$W_x = 0.72 \text{ cm}^3$; $W_y = 0.4 \text{ cm}^3$
Profile surface	$A = 1.21 \text{ cm}^2$
Radius	R2


Aluminium profile 22.5 × 45

Article number	411537812 (24 bars, 6000 mm each) 411990292 / max. length: 6000 mm
Profile	22.5 × 45
Slot	10 mm
Mass	1.22 kg/m
Moment of inertia	$I_x = 2.84 \text{ cm}^4$, $I_y = 6.81 \text{ cm}^4$
Section modulus	$W_x = 2.53 \text{ cm}^3$; $W_y = 3.03 \text{ cm}^3$
Profile surface	$A = 4.51 \text{ cm}^2$
Radius	R2

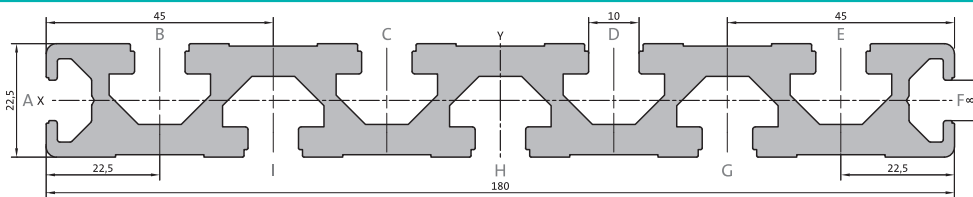


Slot 8-10

Aluminium profile 22.5 × 180

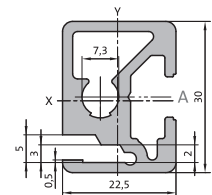
new

Article number	411509179 (6 bars, 6000 mm each) 411990345 /max length: 6000 mm
Profile	22,5 × 180
Slot	10 mm
Mass	5.80 kg/m
Moment of inertia	$I_x = 11.79 \text{ cm}^4$; $I_y = 581.98 \text{ cm}^4$
Section modulus	$W_x = 10.23 \text{ cm}^3$; $W_y = 64.66 \text{ cm}^3$
Profile surface	21.48 cm ²
Radius	R2



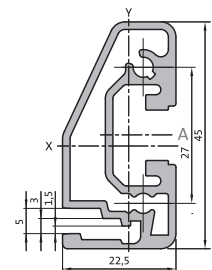
Frame profile 22.5 × 30

Article number	481515229 (16 bars, 6000 mm each) 481992493 /... max. length: 6000 mm
Profile	22.5 × 30
Slot	8 mm
Mass	0.85 kg/m
Moment of inertia	$I_x = 2.93 \text{ cm}^4$; $I_y = 1.59 \text{ cm}^4$
Section modulus	$W_x = 1.85 \text{ cm}^3$; $W_y = 1.39 \text{ cm}^3$
Profile surface	$A = 3.15 \text{ cm}^2$
Radius	R2



Frame profile 22.5 × 45

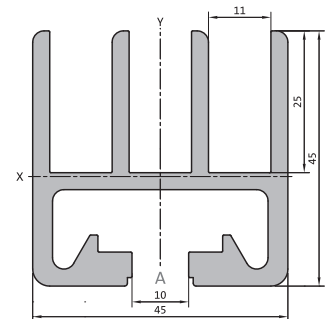
Article number	411508102 (20 bars, 6000 mm each) 411992411 /... max. length: 6000 mm
Profile	22.5 × 45
Slot	10 mm
Mass	0.87 kg/m
Moment of inertia	$I_x = 6.28 \text{ cm}^4$; $I_y = 1.53 \text{ cm}^4$
Section modulus	$W_x = 2.55 \text{ cm}^3$; $W_y = 1.17 \text{ cm}^3$
Profile surface	$A = 3.42 \text{ cm}^2$
Radius	R2



Slot 8–10

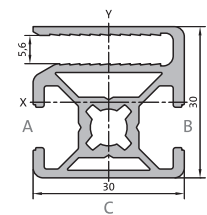
Sliding door profile AL45

Article number	411509177 (20 bars, 6000 mm each) 411990115 /... max. length: 6000 mm
Profile	AL45
Slot	10 mm
Mass	1.90 kg/m
Moment of inertia	$I_x = 12.28 \text{ cm}^4$; $I_y = 16.83 \text{ cm}^4$
Section modulus	$W_x = 4.78 \text{ cm}^3$; $W_y = 7.48 \text{ cm}^3$
Profile surface	$A = 7.03 \text{ cm}^2$
Radius	R3



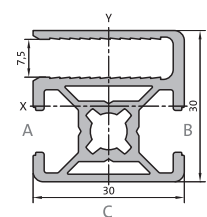
Safety grid profile 30 × 30 WG30

Article number	481522462 (20 bars, 6000 mm each) 481992970 / max. length: 6000 mm
Profile	30 × 30 WG30
Slot	8 mm
Mass	0.87 kg/m
Moment of inertia	$I_x = 3.04 \text{ cm}^4$, $I_y = 2.60 \text{ cm}^4$
Section modulus	$W_x = 1.96 \text{ cm}^3$; $W_y = 1.65 \text{ cm}^3$
Profile surface	$A = 3.21 \text{ cm}^2$
Radius	R2



Safety grid profile 30 × 30 WG40

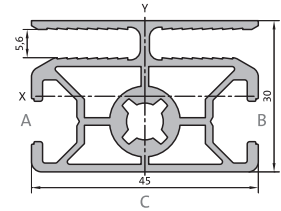
Article number	481522464 (20 bars, 6000 mm each) 481992978 / max. length: 6000 mm
Profile	30 × 30 WG40
Slot	8 mm
Mass	0.85 kg/m
Moment of inertia	$I_x = 2.91 \text{ cm}^4$, $I_y = 2.48 \text{ cm}^4$
Section modulus	$W_x = 1.83 \text{ cm}^3$; $W_y = 1.58 \text{ cm}^3$
Profile surface	$A = 3.12 \text{ cm}^2$
Radius	R2



Slot 8-10

Safety grid profile 30 × 45 WG30

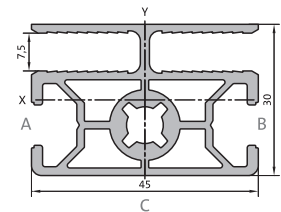
Article number	481522463 (20 bars, 6000 mm each) 481992971 / max. length: 6000 mm
Profile	30 × 45 WG30
Slot	8 mm
Mass	1.22 kg/m
Moment of inertia	$I_x = 4.29 \text{ cm}^4$, $I_y = 7.21 \text{ cm}^4$
Section modulus	$W_x = 2.74 \text{ cm}^3$; $W_y = 3.21 \text{ cm}^3$
Profile surface	$A = 4.51 \text{ cm}^2$
Radius	R2



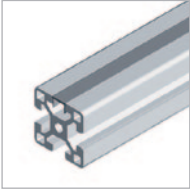
2

Safety grid profile 30 × 45 WG40

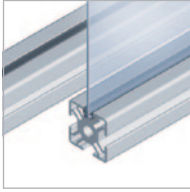
Article number	481522465 (20 bars, 6000 mm each) 481992973 / max. length: 6000 mm
Profile	30 × 45 WG40
Slot	8 mm
Mass	1.2 kg/m
Moment of inertia	$I_x = 4.11 \text{ cm}^4$, $I_y = 6.95 \text{ cm}^4$
Section modulus	$W_x = 2.57 \text{ cm}^3$; $W_y = 3.09 \text{ cm}^3$
Profile surface	$A = 4.44 \text{ cm}^2$
Radius	R2



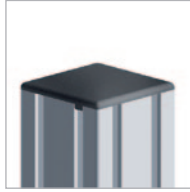
PROFILE ACCESSORIES



Page 3|2
Cover profile



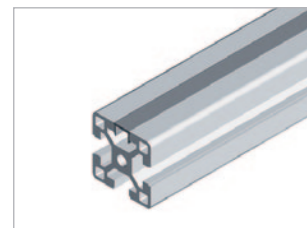
Page 3|3
Cover and lining
profile







Page 3|4
Aluminium profile
caps

Cover profiles

For covering slots.
Prevents the profile slot from becoming dirty.
Different colours ensure an attractive profile design.
Flush with profile surface.
Cables are firmly buried in the slot.



DESIGNATION	COLOUR	SLOT	L =	MATERIAL	ARTICLE NUMBER
Cover profile	Black (RAL 9005)	8	2000 mm	PP	481501962
Cover profile* 	Black (RAL 9005)	8	2000 mm	PP	481146004
Cover profile	Pigeon blue (RAL 5014)	8	2000 mm	PP	481146001
Cover profile	Stamped in aluminium colour	8	2000 mm	PP	481146002
Cover profile* 	Stamped in aluminium colour	8	2000 mm	PP	481146007
Cover profile	Light grey (RAL 7035)	8	2000 mm	PP	481518375
Cover profile	Transparent, natural colour	8	2000 mm	PP	481503073
Cover profile	Red (RAL 3020)	8	2000 mm	PP	481518376
Cover profile	Yellow (RAL 1018)	8	2000 mm	PP	481518377
Cover profile	Signal grey (RAL7004)	8	2000 mm	PP	481548878
Cover profile	Red (RAL 3020)	10	2000 mm	PP	411518368
Cover profile	Yellow (RAL 1018)	10	2000 mm	PP	411518369
Cover profile	Black (RAL 9005)	10	2000 mm	PP	411146901
Cover profile* 	Black (RAL 9005)	10	2000 mm	PP	411146005
Cover profile	Light grey (RAL 7035)	10	2000 mm	PP	411518367
Cover profile	Pigeon blue (RAL 5014)	10	2000 mm	PP	411146000
Cover profile	Signal grey (RAL7004)	10	2000 mm	PP	411548876
Cover profile	Stamped in aluminium colour	10	2000 mm	PP	411146003
Cover profile* 	Stamped in aluminium colour	10	2000 mm	PP	411146006

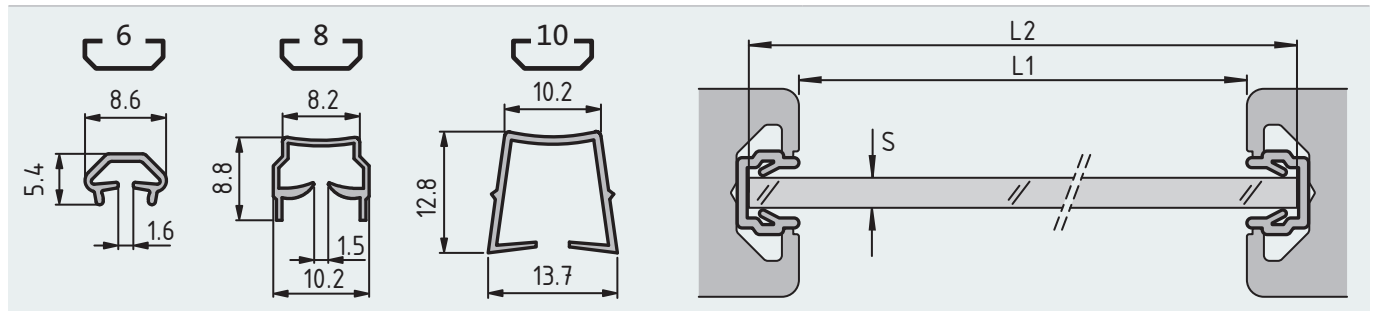
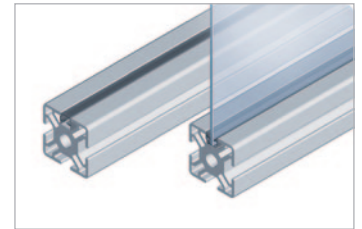
* ESD-readiness is ensured only if the aluminium profile cracks open the anodised coating.

Cover and lining profile

For covering slots and lining surface elements.
Clearance-free installation of surface elements up to 6 mm thick along the slot.

Material: Plastic (PP & TPE)

Colour: black RAL9005)



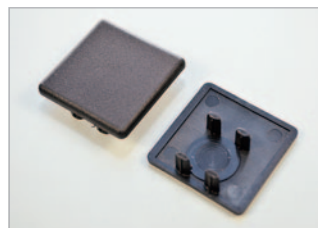
DESIGNATION	SLOT	S =	L =	L2	ARTICLE NUMBER
Cover and lining profile	6	1-4 mm	2000 mm	L1 + 7.7	461518343
Cover and lining profile	8	2-6 mm	2000 mm	L1 + 14.4	481518347
Cover and lining profile	10	2-6 mm	2000 mm	L1 + 21.4	411518351
	10L			L1 + 24.4	

Aluminium profiles 50 × 50L, 50 × 100L and 100 × 100L have the same size allowance as slot 10.

Aluminium profile caps

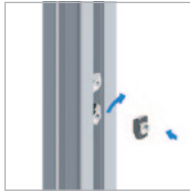
Use to cover the profile ends.

Material: Plastic (PA), fibreglass-reinforced

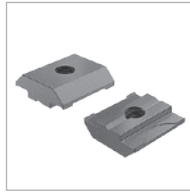


DESIGNATION	T =	SLOT	ARTICLE NUMBER BLACK (RAL9005)	ARTICLE NUMBER GREY (RAL 7035)	ARTICLE NUMBER SIGNAL GREY (RAL 7004)	ARTICLE NUMBER ESD-READY
Cap 20 × 20	2.5 mm	6	461517243		461548742	461548743
Cap 20 × 40	2.5 mm	6	461517243 2×		461548742 2×	461548743 2×
Cap 20 × 40 × 40	2.5 mm	6	461517243 3×		461548742 3×	461548743 3×
Cap 11 × 20	3.0 mm	8	481513584			
Cap 30 × 30	4.0 mm	8	481501232	481516506	481548744	481517057
Cap with hole, 30 × 30	3.0 mm	8			481548774	481548775
Cap 30 × 30R	3.0 mm	8			481548776	481548777
Cap 30 × 45	3.0 mm	8			411548778	411531219
Cap 30 × 90	4.0 mm	8	481501232 3×		481548744 3×	481517057 3×
Cap 30 × 120	4.0 mm	8	481501232 4×		481548744 4×	481517057 4×
Cap 30 × 60 × 60	4.0 mm	8	481501232 3×		481548744 3×	481517057 3×
Cap 22.5 × 45	4.0 mm	10	411501577		411548830	
Cap 40 × 40	4.0 mm	10	411528968	411536437	411548746	411517100
Cap 40 × 40R	4.0 mm	10			411548784	411529044
Cap 40 × 80	4.0 mm	10			411548748	411548749
Cap 40 × 120	4.0 mm	10			411548748 1×	411517100 1×
					411548746 1×	411548749 1×
Cap with hole, 45 × 45	4.0 mm	10	411523442		411548796	411548797
Cap 45 × 45	4.0 mm	10	411502674	411517059	411548752	411517058
Cap 45 × 45R	4.0 mm	10	411517250		411548800	
Cap with hole, 45 × 60	4.0 mm	10	411191094		411548802	411548803
Cap 45 × 60	4.0 mm	10			411548754	411517855
Cap 45 × 90	4.0 mm	10	411511783		411548756	411548757
Cap 50 × 50	4.0 mm	10			411548820	411548821
Cap 50 × 100	4.0 mm	10			411548820 2×	411548821 2×
Cap 60 × 60	4.0 mm	10	411511874		411548808	
Cap 80 × 80	4.0 mm	10	411529039		411548750	
Cap 60 × 90	4.0 mm	10			3842548812	3842548813
Cap with hole, 60 × 90	4.0 mm	10	3842514663			
Cap 90 × 90L	4.0 mm	10	411516214		411548758	411548759
Cap 90 × 90	4.0 mm	10			411548760	411548761
Cap 90 × 180L	4.0 mm	10	411516214 2×		411548758 2×	411548759 2×
Cap 90 × 180	4.0 mm	10			411548760 2×	411548761 2×

FASTENERS



Page 4|2
Hammer head nut



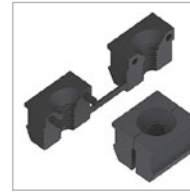
Page 4|3
Slot nuts



Page 4|6
Hammer head screw + flanged nut



Page 4|7
Rhomboid nut



Page 4|7
Expanding nut



Page 4|8
Fillister head screws



Page 4|13
Quick-acting connector



Page 4|15
Bending quick-acting connector



Page 4|18
Quick-acting connector with small clamping sleeve



Page 4|19
Bolt connectors



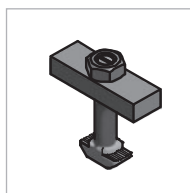
Page 4|20
Centre bolt



Page 4|22
T-Matic connector



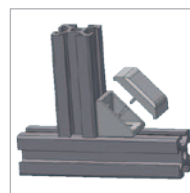
Page 4|23
Milling connector



Page 4|24
Cross connector



Page 4|25
Inside bracket



Page 4|26
Bracket



Page 4|35
Steel angle



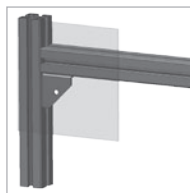
Page 4|35
Bracket set



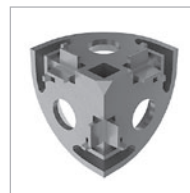
Page 4|36
Mounting angle



Page 4|36
Pivot bracket



Page 4|37
Sheet metal bracket



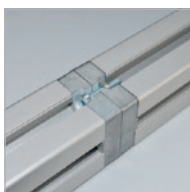
Page 4|38
Corner angle



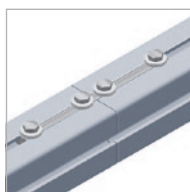
Page 4|41
Cube connector



Page 4|43
T-connector



Page 4|44
Terminal connector



Page 4|44
Profile connector



Page 4|45
Tie plate



Page 4|46
Mitre square



Page 4|47
45° connector



Page 4|48
Console



Page 4|49
Foundation bracket



Page 4|50
Floor dowel

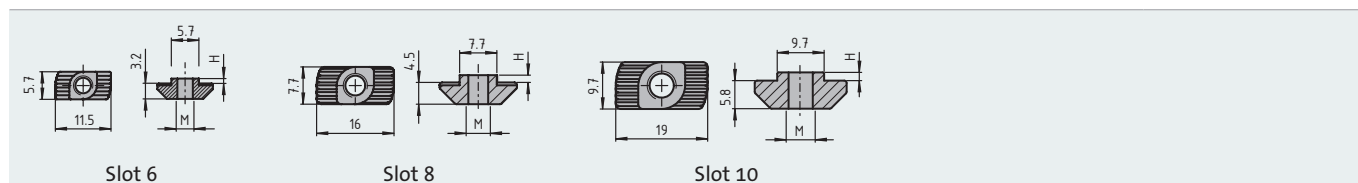
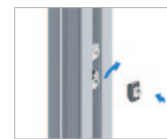
Hammer head nut



Aluminium profile fastener which breaks the anodised coating and makes a reliable and electrically conductive link.

Stopper for correct placement in the profile slot.

Material: Galvanised steel



DESIGNATION	SLOT	M	L =	H	F _{MAX}	ARTICLE NUMBER
Hammer head nut	6	M4	11.5 mm	1.0 mm	850 N	462523135
Hammer head nut	8	M4	16.0 mm	1.5 mm	2000 N	482501751
Hammer head nut	8	M5	16.0 mm	1.5 mm	2000 N	482501752
Hammer head nut	8	M6	16.0 mm	1.5 mm	2000 N	482501753
Hammer head nut	10	M4	19.0 mm	3.0 mm	3500 N	412530281
Hammer head nut	10	M5	19.0 mm	3.0 mm	3500 N	412530283
Hammer head nut	10	M6	19.0 mm	3.0 mm	3500 N	412530285
Hammer head nut	10	M8	19.0 mm	3.0 mm	3500 N	412530287

Hammer head nut ES

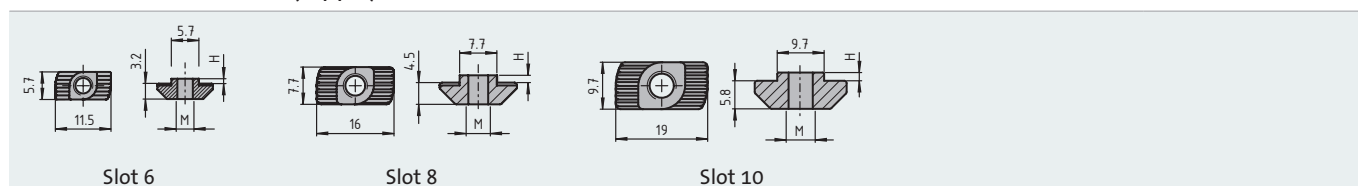
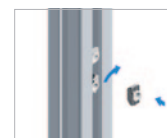


Aluminium profile fastener which breaks the anodised coating and makes a reliable and electrically conductive link.

Stopper for correct placement in the profile slot.

Specifically designed for outdoor or clean-room applications.

Material: Stainless steel (1.4401)

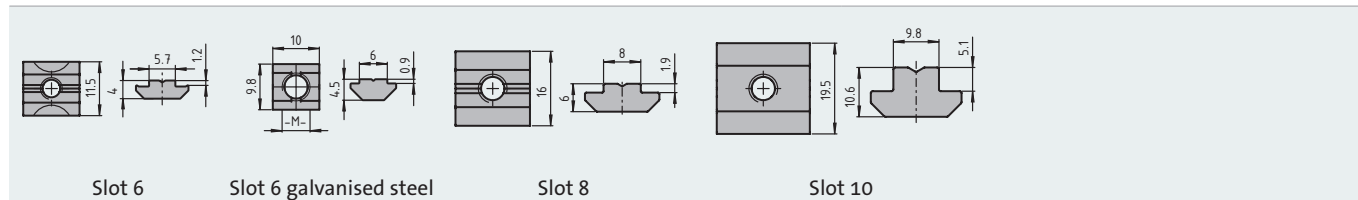
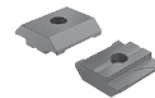


DESIGNATION	SLOT	M	L =	H	F _{MAX}	ARTICLE NUMBER
Hammer head nut ES	6	M4	11.5 mm	1.0 mm	850 N	462536599
Hammer head nut ES	8	M6	16.0 mm	1.5 mm	2000 N	482536602
Hammer head nut ES	10	M6	19.0 mm	3.0 mm	3500 N	412536604
Hammer head nut ES	10	M8	19.0 mm	3.0 mm	3500 N	412536603

Slot nut



Large area of contact – able to reliably absorb high forces.

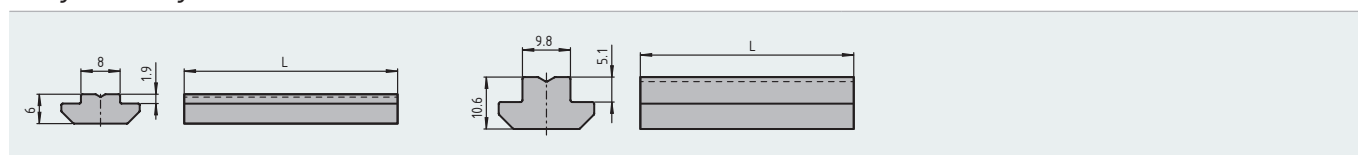


DESIGNATION	SLOT	THREAD	L =	MATERIAL	F _{MAX} 	ARTICLE NUMBER
Slot nut	6	M4	10.0 mm	Galvanised steel	1500 N	462514100
Slot nut, stainless steel	6	M4	12.0 mm	Stainless steel	1400 N	462523140
Slot nut	6	M5	10.0 mm	Galvanised steel	1500 N	462514101
Slot nut, stainless steel	6	M5	12.0 mm	Stainless steel	1500 N	462523142
Slot nut	6	M6	10.0 mm	Galvanised steel	1500 N	462514102
Slot nut	8	M4	16.0 mm	Galvanised steel	2000 N	482514928
Slot nut	8	M5	16.0 mm	Galvanised steel	2500 N	482514929
Slot nut	8	M6	16.0 mm	Galvanised steel	3000 N	482514930
Slot nut	8	M8	16.0 mm	Galvanised steel	3000 N	482514931
Slot nut	10	M5	20.0 mm	Galvanised steel	2500 N	412528741
Slot nut	10	M6	20.0 mm	Galvanised steel	3500 N	412528738
Slot nut	10	M8	20.0 mm	Galvanised steel	5000 N	412528735

Slot nut profile



Lets you make your own fasteners.



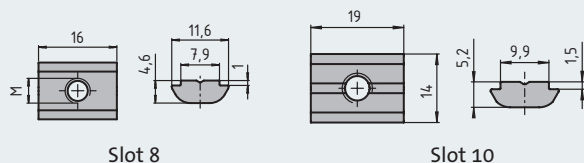
DESIGNATION	SLOT	H =	L =	MATERIAL	ARTICLE NUMBER
Slot nut profile	8	6.0 mm	1500 mm	Uncoated steel	482510078
Slot nut profile	10	10.5 mm	1500 mm	Uncoated steel	412528744

Pivoting slot nut



Can be used directly at the mounting point which makes them very mounting-friendly.

Material: Galvanised steel



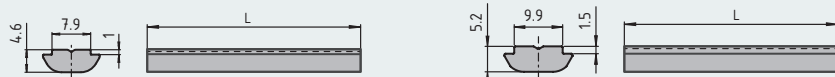
DESIGNATION	SLOT	THREAD	F _{MAX}	ARTICLE NUMBER
Pivoting slot nut	8	M5	1000 N	482529319
Pivoting slot nut	8	M6	1000 N	482529320
Pivoting slot nut	8	M8	1000 N	482529321
Pivoting slot nut	10	M6	4000 N	412529323
Pivoting slot nut	10	M8	4000 N	412529324

Pivoting slot nut profile



Lets you make your own fasteners.

Material: Uncoated steel

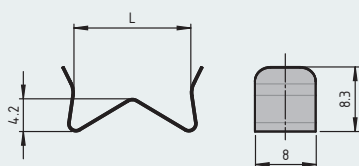
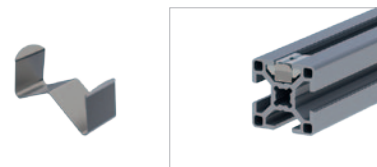


DESIGNATION	SLOT	L =	ARTICLE NUMBER
Slot nut profile	8	1500 mm	482529327
Slot nut profile	10	1500 mm	412529325

Spring

Spring supports the installation and positioning of slot nuts and pivoting slot nuts.

Material: Stainless spring steel



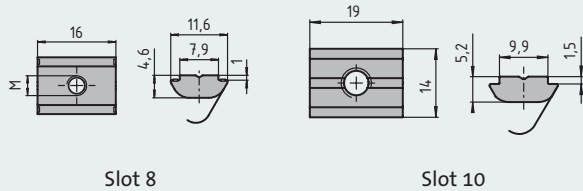
DESIGNATION	FOR SLOT NUT L (mm)	SLOT	ARTICLE NUMBER
Spring	16.5	8	482516685
Spring	20.0	10	412516669


Pivoting slot nut with spring



Very easy to install because it is placed directly at the point of installation located by the attached spring.

Material: Galvanised steel



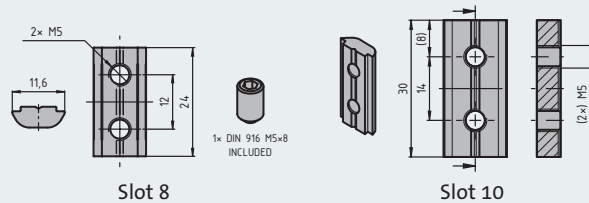
DESIGNATION	SLOT	M	F _{MAX}	ARTICLE NUMBER
				
Pivoting slot nut with spring	8	M4	1000 N	482529294
Pivoting slot nut with spring	8	M5	1000 N	482529295
Pivoting slot nut with spring	8	M6	1000 N	482529296
Pivoting slot nut with spring	8	M8	1000 N	482529297
Pivoting slot nut with spring	10	M4	1500 N	412541393
Pivoting slot nut with spring	10	M5	2500 N	412529298
Pivoting slot nut with spring	10	M6	3500 N	412529299
Pivoting slot nut with spring	10	M8	4000 N	412529300


Pivoting slot nut with grub screw



Shakeproof fastening in any position.

Material: Galvanised steel



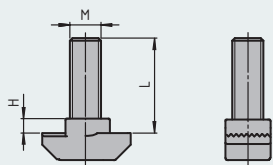
DESIGNATION	SLOT	THREAD	F _{MAX}	ARTICLE NUMBER
				
Pivoting slot nut with grub screw	8	M5	1000 N	482536675
Pivoting slot nut with grub screw	10	M5	2500 N	412536676

Hammer head screw



Aluminium profile fastener which breaks the anodised coating and makes a reliable and electrically conductive link.

Material: Galvanised steel



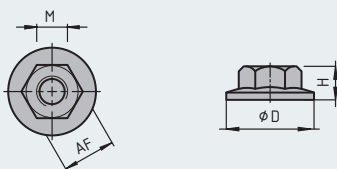
DESIGNATION	M × L	SLOT	H =	F =	ARTICLE NUMBER
Hammer head screw	M6 × 16	8	1.5 mm	2000 N	482523920
Hammer head screw	M6 × 20	8	1.5 mm	2000 N	482523921
Hammer head screw	M6 × 25	8	1.5 mm	2000 N	482523922
Hammer head screw	M8 × 20	10	4.5 mm	3000 N	412528715
Hammer head screw	M8 × 25	10	4.5 mm	3000 N	412528718
Hammer head screw	M8 × 30	10	4.5 mm	3000 N	412528721
Hammer head screw	M8 × 40	10	3.0 mm	3000 N	412528724

Union nut



Use together with the hammer head screw.

Material: Galvanised steel

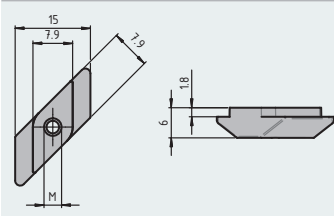
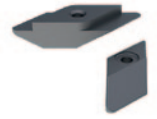



DESIGNATION	M	SLOT	H =	AF =	D =	ARTICLE NUMBER
Union nut	M6	8	6.0 mm	10.0 mm	14.0 mm	482523925
Union nut	M8	10	8.0 mm	13.0 mm	21.0 mm	412345081

Rhomboid nut Slot 8

Fastener for profile slots; easy to turn in; can be moved along the slot

Material: Uncoated die-cast zinc



DESIGNATION	A= (mm)	H= (mm)	M=	WEIGHT	FMAX 	ARTICLE NUMBER
Rhomboid nut	6.0	1.8	M3	4.1	250 N	482200160
Rhomboid nut	6.0	1.8	M4	4.0	250 N	482200161
Rhomboid nut	6.0	1.8	M5	3.9	250 N	482200162

Expanding nut

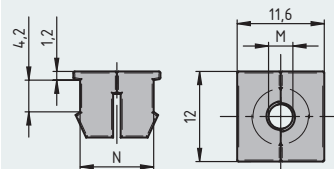
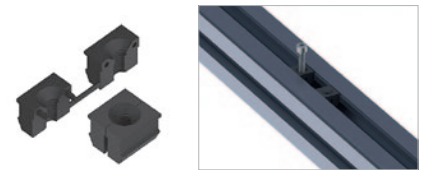
To fasten lightweight accessories such as cable ties or lugs.

Installs simply by clipping it into the profile slot.

Profile machining: not required

Required accessories: countersunk screw

Material: black PA



DESIGNATION	SLOT	M	ARTICLE NUMBER
Expanding nut	10	M4	412111987
Expanding nut	10	M5	412111988
Expanding nut	10	M6	412111989

Round head screws, ISO 7380, strength category 10.9

Hexagon socket fillister head



DESIGNATION	ISO	THREAD	MATERIAL	ARTICLE NUMBER STAINLESS STEEL A2	ARTICLE NUMBER GALVANISED STEEL
Fillister head screw	7380	M4 × 6	Electrolytically galvanised, tempered		402150001
Round head screw	7380	M4 × 8	Electrolytically galvanised, tempered		402150002
Round head screw	7380	M4 × 10	Electrolytically galvanised, tempered		402150003
Round head screw	7380	M4 × 12	Electrolytically galvanised, tempered		402150004
Round head screw	7380	M4 × 16	Electrolytically galvanised, tempered		402150005
Round head screw	7380	M4 × 25	Electrolytically galvanised, tempered		402150031
Round head screw	7380	M5 × 8	Electrolytically galvanised, tempered		402150032
Round head screw	7380	M5 × 10	Electrolytically galvanised, tempered		402150006
Round head screw	7380	M5 × 12	Electrolytically galvanised, tempered		402150007
Round head screw	7380	M5 × 14	Electrolytically galvanised, tempered		402150008
Round head screw	7380	M5 × 16	Electrolytically galvanised, tempered		402150009
Round head screw	7380	M5 × 20	Electrolytically galvanised, tempered		402150010
Round head screw	7380	M5 × 25	Electrolytically galvanised, tempered		402150033
Round head screw	7380	M5 × 30	Electrolytically galvanised, tempered		402150034
Round head screw	7380	M5 × 35	Electrolytically galvanised, tempered		402150035
Round head screw	7380	M5 × 40	Electrolytically galvanised, tempered		402150036
Round head screw	7380	M6 × 10	Electrolytically galvanised, tempered		402150011
Round head screw	7380	M6 × 12	Electrolytically galvanised, tempered		402150012
Round head screw	7380	M6 × 14	Electrolytically galvanised, tempered		402150013
Round head screw	7380	M6 × 16	Electrolytically galvanised, tempered		402150014
Round head screw	7380	M6 × 20	Electrolytically galvanised, tempered		402150015
Round head screw	7380	M6 × 25	Electrolytically galvanised, tempered		402150037
Round head screw	7380	M6 × 30	Electrolytically galvanised, tempered		402150038
Round head screw	7380	M6 × 35	Electrolytically galvanised, tempered		402150039
Round head screw	7380	M8 × 10	Electrolytically galvanised, tempered		402150040
Round head screw	7380	M8 × 12	Electrolytically galvanised, tempered		402150041
Round head screw	7380	M8 × 14	Electrolytically galvanised, tempered		402150042
Round head screw	7380	M8 × 16	Electrolytically galvanised, tempered		402150016
Round head screw	7380	M8 × 18	Electrolytically galvanised, tempered		402150017
Round head screw	7380	M8 × 20	Stainless steel A2/ Electrolytically galvanised, tempered	402150043	402150018
Round head screw	7380	M8 × 25	Electrolytically galvanised, tempered		402150030
Round head screw	7380	M8 × 30	Electrolytically galvanised, tempered		402150019

Round head screws with flange, standard 7380

Flange head screw with hexagon socket

Strength category 10.9

Extra washer not required

Material: Galvanised steel



DESIGNATION	ISO	THREAD	ARTICLE NUMBER
Round head screw with flange	7380	M5x8	402150025 new
Round head screw with flange	7380	M6x10	402150024 new
Round head screw with flange	7380	M6x12	402150023 new
Round head screw with flange	7380	M6x14	402150020
Round head screw with flange	7380	M6x16	402150021
Round head screw with flange	7380	M6x20	402150022

4

Countersunk screws (DIN 7991) with 8.8 hexagon socket

Material: electr. galvanised



DESIGNATION	DIN	THREAD	ARTICLE NUMBER BLACK/UNCOATED	ARTICLE NUMBER GALVANISED STEEL
Countersunk screw	7991	M4 × 8		402150225
Countersunk screw	7991	M4 × 10		402150226
Countersunk screw	7991	M4 × 12		402150227
Countersunk screw	7991	M4 × 14		402150228
Countersunk screw	7991	M4 × 16		402150229
Countersunk screw	7991	M4 × 18		402150230
Countersunk screw	7991	M4 × 20		402150231
Countersunk screw	7991	M4 × 25		402150232
Countersunk screw	7991	M4 × 30		402150233
Countersunk screw	7991	M5 × 8		402150205
Countersunk screw	7991	M5 × 10		402150207
Countersunk screw	7991	M5 × 12		402150234
Countersunk screw	7991	M5 × 14		402150235
Countersunk screw	7991	M5 × 16		402150236
Countersunk screw	7991	M5 × 18		402150237
Countersunk screw	7991	M5 × 20		402150238
Countersunk screw	7991	M5 × 22		402150239
Countersunk screw	7991	M5 × 25		402150240
Countersunk screw	7991	M5 × 30		402150241
Countersunk screw	7991	M5 × 35		402150242
Countersunk screw	7991	M5 × 40		402150243
Countersunk screw	7991	M6 × 10		402150200
Countersunk screw	7991	M6 × 12		402150201
Countersunk screw	7991	M6 × 14		402150202
Countersunk screw	7991	M6 × 16		402150203
Countersunk screw	7991	M6 × 18		402150244

DESIGNATION	DIN	THREAD	ARTICLE NUMBER BLACK/UNCOATED	ARTICLE NUMBER GALVANISED STEEL
Countersunk screw	7991	M6 × 20		402150208
Countersunk screw	7991	M6 × 22		402150245
Countersunk screw	7991	M6 × 25		402150246
Countersunk screw	7991	M6 × 30		402150247
Countersunk screw	7991	M6 × 35		402150273
Countersunk screw	7991	M6 × 40		402150248
Countersunk screw	7991	M8 × 10		402150249
Countersunk screw	7991	M8 × 12		402150250
Countersunk screw	7991	M8 × 14	402150220	402150204
Countersunk screw	7991	M8 × 16	402150221	402150209
Countersunk screw	7991	M8 × 18		402150251
Countersunk screw	7991	M8 × 20		402150252
Countersunk screw	7991	M8 × 22		402150253
Countersunk screw	7991	M8 × 25		402150254
Countersunk screw	7991	M8 × 30		402150255
Countersunk screw	7991	M8 × 35		402150256
Countersunk screw	7991	M8 × 40		402150257
Countersunk screw	7991	M8 × 50		402150258
Countersunk screw	7991	M10 × 16		402150259
Countersunk screw	7991	M10 × 20		402150260
Countersunk screw	7991	M10 × 30		402150261
Countersunk screw	7991	M10 × 35		402150262
Countersunk screw	7991	M10 × 40		402150263
Countersunk screw	7991	M10 × 45		402150264
Countersunk screw	7991	M10 × 50		402150265
Countersunk screw	7991	M12 × 20		402150266
Countersunk screw	7991	M12 × 25		402150267
Countersunk screw	7991	M12 × 30		402150268
Countersunk screw	7991	M12 × 35		402150269
Countersunk screw	7991	M12 × 40		402150270
Countersunk screw	7991	M12 × 45		402150271
Countersunk screw	7991	M12 × 50		402150272

Cheese head screw (DIN7984) with hexagon socket

Low 8.8 head, electr. galv.



DESIGNATION	DIN	THREAD	ARTICLE NUMBER
Cheese head screw	7984	M6 × 14	402150450
Cheese head screw	7984	M6 × 18	402150451
Cheese head screw	7984	M8 × 30	402150453 new
Cheese head screw	7984	M12 × 40	402150400 new

Cheese head screw (DIN ISO 4762) with 8.8 hexagon socket

Material: Galvanised steel



DESIGNATION	DIN ISO	THREAD	ARTICLE NUMBER
Cheese head screw	4762	M3 × 5	402150304
Cheese head screw	4762	M3 × 8	402150305
Cheese head screw	4762	M3 × 10	402150306
Cheese head screw	4762	M3 × 12	402150307
Cheese head screw	4762	M3 × 14	402150308
Cheese head screw	4762	M3 × 16	402150309
Cheese head screw	4762	M3 × 18	402150310
Cheese head screw	4762	M3 × 20	402150311
Cheese head screw	4762	M3 × 25	402150312
Cheese head screw	4762	M3 × 30	402150313
Cheese head screw	4762	M3 × 35	402150314
Cheese head screw	4762	M3 × 50	402150315
Cheese head screw	4762	M4 × 8	402150316
Cheese head screw	4762	M4 × 10	402150317
Cheese head screw	4762	M4 × 12	402150318
Cheese head screw	4762	M4 × 14	402150319
Cheese head screw	4762	M4 × 16	402150320
Cheese head screw	4762	M4 × 18	402150321
Cheese head screw	4762	M4 × 20	402150322
Cheese head screw	4762	M4 × 25	402150323
Cheese head screw	4762	M4 × 30	402150324
Cheese head screw	4762	M4 × 40	402150325
Cheese head screw	4762	M5 × 8	402150326
Cheese head screw	4762	M5 × 10	402150327
Cheese head screw	4762	M5 × 12	402150328
Cheese head screw	4762	M5 × 14	402150329
Cheese head screw	4762	M5 × 16	402150330
Cheese head screw	4762	M5 × 18	402150331
Cheese head screw	4762	M5 × 20	402150332
Cheese head screw	4762	M5 × 22	402150333
Cheese head screw	4762	M5 × 25	402150334
Cheese head screw	4762	M5 × 30	402150335
Cheese head screw	4762	M5 × 35	402150336
Cheese head screw	4762	M5 × 40	402150337
Cheese head screw	4762	M5 × 45	402150338
Cheese head screw	4762	M5 × 65	402150339
Cheese head screw	4762	M6 × 8	402150340
Cheese head screw	4762	M6 × 10	402150341
Cheese head screw	4762	M6 × 12	402150342
Cheese head screw	4762	M6 × 14	402150302
Cheese head screw	4762	M6 × 16	402150343
Cheese head screw	4762	M6 × 18	402150344

DESIGNATION	DIN ISO	THREAD	ARTICLE NUMBER
Cheese head screw	4762	M6 × 20	402150345
Cheese head screw	4762	M6 × 22	402150346
Cheese head screw	4762	M6 × 25	402150347
Cheese head screw	4762	M6 × 28	402150348
Cheese head screw	4762	M6 × 30	402150349
Cheese head screw	4762	M6 × 35	402150350
Cheese head screw	4762	M6 × 40	402150351
Cheese head screw	4762	M6 × 45	402150352
Cheese head screw	4762	M6 × 50	402150353
Cheese head screw	4762	M6 × 55	402150354
Cheese head screw	4762	M6 × 60	402150355
Cheese head screw	4762	M6 × 70	402150356
Cheese head screw	4762	M6 × 80	402150357
Cheese head screw	4762	M6 × 100	402150358
Cheese head screw	4762	M6 × 140	402150359
Cheese head screw	4762	M8 × 14	402150360
Cheese head screw	4762	M8 × 16	402150361
Cheese head screw	4762	M8 × 18	402150362
Cheese head screw	4762	M8 × 20	402150300
Cheese head screw	4762	M8 × 25	402150363
Cheese head screw	4762	M8 × 30	402150364
Cheese head screw	4762	M8 × 35	402150303
Cheese head screw	4762	M8 × 40	402150365
Cheese head screw	4762	M8 × 50	402150366
Cheese head screw	4762	M8 × 60	402150367
Cheese head screw	4762	M8 × 70	402150368
Cheese head screw	4762	M8 × 80	402150369
Cheese head screw	4762	M8 × 100	402150370
Cheese head screw	4762	M8 × 180	402150371
Cheese head screw	4762	M10 × 16	402150372
Cheese head screw	4762	M10 × 18	402150373
Cheese head screw	4762	M10 × 20	402150374
Cheese head screw	4762	M10 × 25	402150375
Cheese head screw	4762	M10 × 30	402150376
Cheese head screw	4762	M10 × 35	402150377
Cheese head screw	4762	M10 × 40	402150378
Cheese head screw	4762	M10 × 45	402150379
Cheese head screw	4762	M10 × 50	402150380
Cheese head screw	4762	M10 × 60	402150381
Cheese head screw	4762	M10 × 70	402150382
Cheese head screw	4762	M10 × 80	402150383
Cheese head screw	4762	M10 × 100	402150384
Cheese head screw	4762	M10 × 140	402150385
Cheese head screw	4762	M12 × 20	402150386
Cheese head screw	4762	M12 × 25	402150387
Cheese head screw	4762	M12 × 30	402150388
Cheese head screw	4762	M12 × 35	402150389

DESIGNATION	DIN ISO	THREAD	ARTICLE NUMBER
Cheese head screw	4762	M12 × 40	402150301
Cheese head screw	4762	M12 × 45	402150390
Cheese head screw	4762	M12 × 50	402150391
Cheese head screw	4762	M12 × 60	402150392
Cheese head screw	4762	M12 × 70	402150393
Cheese head screw	4762	M12 × 80	402150394
Cheese head screw	4762	M12 × 100	402150395

Other DIN screws upon request

Quick-acting connector



For quickly and stably linking two aluminium profiles at a right angle.

Very good tool access during installation.

Fastening O-ring allows overhead installation.

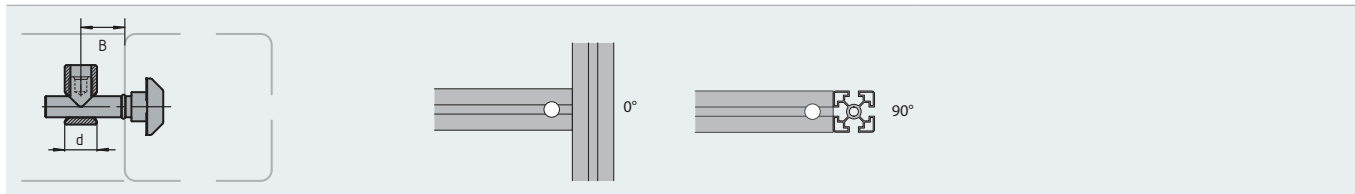
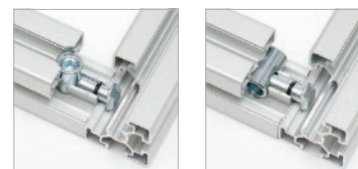
The quick-acting connector can pivot into the profile slot at the point of installation.

Material: Galvanised steel

Material Dummy plug: PVC, black

Note: Use the dummy plugs to close the drill hole in closed slots.

Note: The caps in the sets are not ESD-ready.



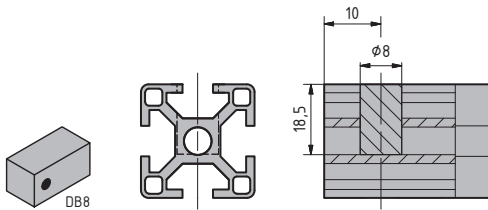
DESIGNATION	B =	SLOT	MACHINING (d)	ARTICLE NUMBER
Quick-acting connector with 0° or 90° hammer head	10 mm	6	D8 or DB8	462537013
Quick-acting connector with 0° hammer head	18 mm	8	D11 or DB11	482535459
Quick-acting connector with 90° hammer head	18 mm	8	D11 or DB11	482535465
Quick-acting connector with 0° hammer head	18 mm	8-10	D11 or DB11	402535464
Quick-acting connector with 90° hammer head	18 mm	8-10	D11 or DB11	402535463
Quick-acting connector with 0° hammer head	22.5 mm	10	D17 or DB17	412535458
Quick-acting connector with 90° hammer head	22.5 mm	10	D17 or DB17	412535466
Cap for quick-acting connector	D11	8	Black plastic (PA)	482352315
Cap for quick-acting connector	D11	8	Plastic (PA), light grey (RAL7035)	482352316
Cap for quick-acting connector	D11	8	Plastic (PA), signal grey (RAL7004)	482352317 new
Cap for quick-acting connector	D17	10	Black plastic (PA)	412541247
Cap for quick-acting connector	D17	10	Plastic (PA), light grey (RAL7035)	412541248
Cap for quick-acting connector	D17	10	Plastic (PA), signal grey (RAL7004)	412541249
Dummy plug for D11			PVC, black	402311107
Dummy plug for D17			PVC, black	402311109

Quick-acting connector loads

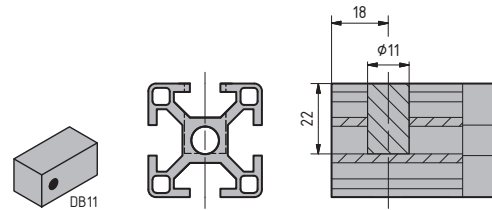
SLOT	ARTICLE NUMBER	F _{MAX}	M _{MAX}
6/6	462537013	200 N	7 Nm
8/8	482535459	250 N	20 Nm
8/8	482535465	250 N	20 Nm
8/10	402535464	1000 N	35 Nm
8/10	402535463	1000 N	35 Nm
10/10	412535458	2000 N	70 Nm
10/10	412535466	2000 N	70 Nm

Machining of quick-acting connector

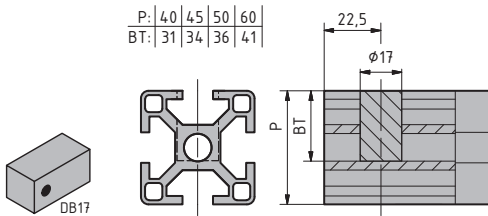
DB8



DB11



DB17



Bending quick-acting connector, face - slot



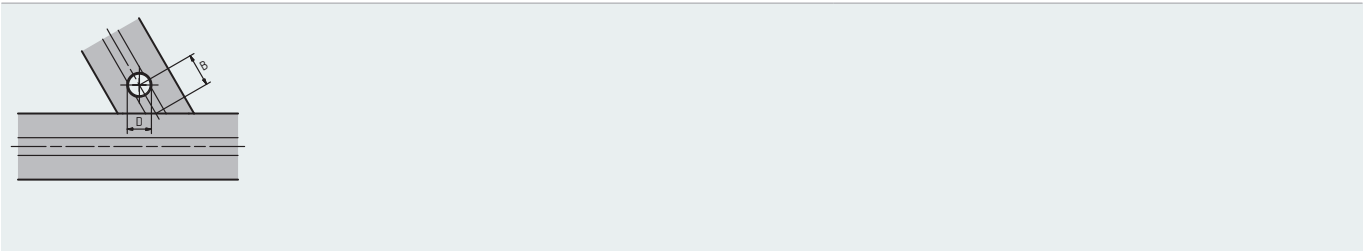
Connects two profile faces at 45°–130° to the slot, e.g. for trusswork

Profile machining: required

Accessories: Drilling jig

Material: Tie rod: Stainless steel

Socket: Galvanised steel



DESIGNATION	B	SLOT	MACHINING (D)	ARTICLE NUMBER
Bending quick-acting connector, face - slot	18	8	D11 or DB11	482535629
Bending quick-acting connector, face - slot	22.5	10	D17 or DB17	412535635

Loads of face-to-slot bending quick-acting connector

ARTICLE NUMBER	F _{MAX1}	M _{MAX1}	F _{MAX2}	M _{MAX2}
482535629	500 N	15 Nm	300 N	20 Nm
412535635	700 N	60 Nm	500 N	40 Nm

Bending quick-acting connector, face - face

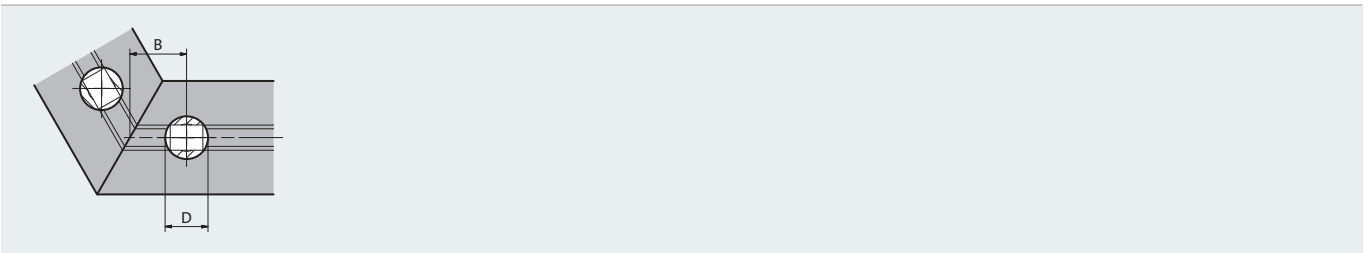
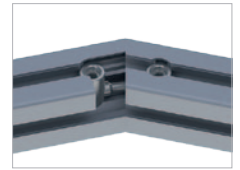
Connects the face ends of two profiles of the same cross section at an angle of 90°–180° e.g. for frames

Profile machining: required

Accessories: Drilling jig

Material: Tie rod: Stainless steel

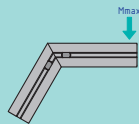
Socket: Galvanised steel



DESIGNATION	B	SLOT	MACHINING (D)	ARTICLE NUMBER
Bending quick-acting connector, face - face	10	6	D8 or DB8	462535628
Bending quick-acting connector, face - face	18	8	D11 or DB11	482535630
Bending quick-acting connector, face - face	22.5	10	D17 or DB17	412535634

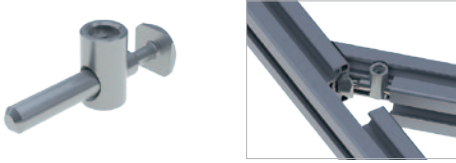
Loads of face-to-face bending quick-acting connector

ARTICLE NUMBER	M _{MAX}
462535628	*
482535630	10 Nm
412535634	50 Nm

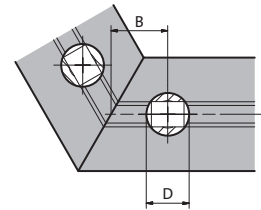


* fastener only, bending stress not allowed

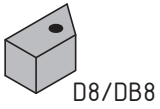
Machining of bending quick-acting connector



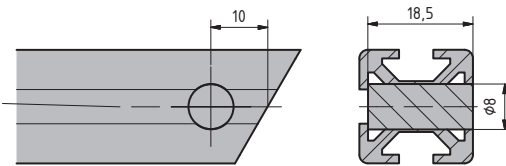
Profile	6	8	10
Drill hole (D)	∅ 8 mm	∅ 11 mm	∅ 17 mm
Distance (B)	10 mm	18 mm	22.5 mm
	D8/DB8	D11 & DB11	D17 & DB17



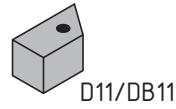
D8/DB8



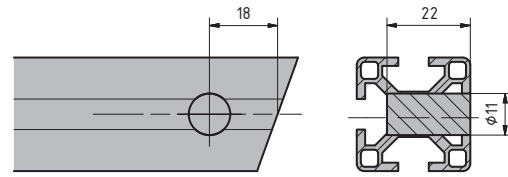
D8/DB8



D11/DB11



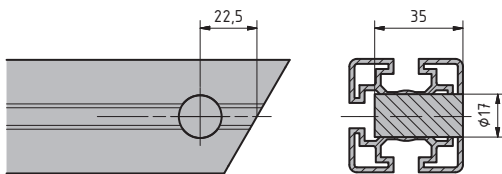
D11/DB11



D17/DB17



D17/DB17

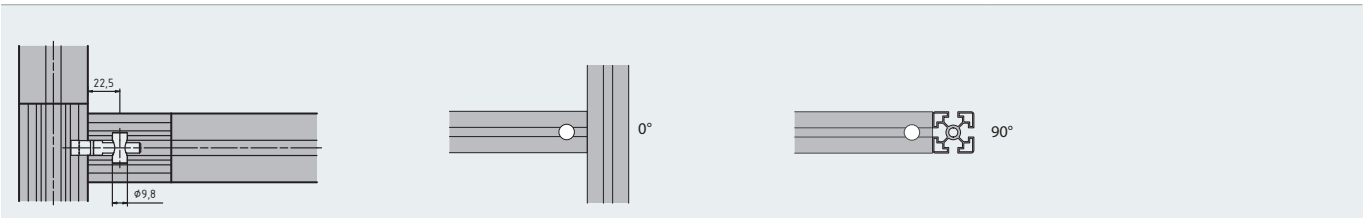
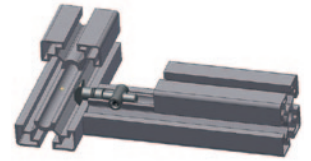


Quick-acting connector 9.8 with small clamping sleeve



The hole for the clamping sleeve does not touch the slot edges. This ensures a visually appealing link; use the cover profile to completely close the slot.

Material: Galvanised steel



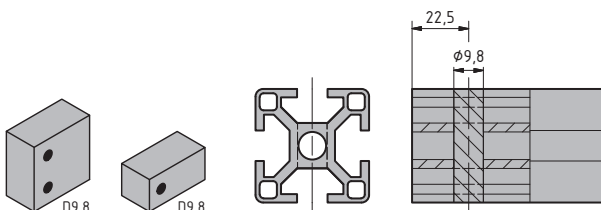
DESIGNATION	SLOT	D (mm)	ARTICLE NUMBER
Quick-acting connector 0°, 9.8 mm clamping sleeve	10/10	9.8*	412541412
Quick-acting connector 90°, 9.8 mm clamping sleeve	10/10	9.8*	412541410

Loads of quick-acting connector 9.8 with small clamping sleeve

SLOT	ARTICLE NUMBER	F _{MAX}	M _{MAX}
10/10	412541412	400 N	25 Nm
10/10	412541410	400 N	25 Nm

Machining of quick-acting connector 9.8

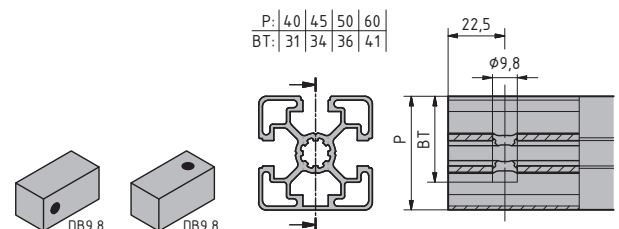
D9.8/D9.8V



Machining of quick-acting connector 9.8 on profiles with closed slots

Note: In order not to damage the closed side, set the following stop when drilling:

DB9.8



Bolt connectors



For and stably linking two aluminium profiles at a right angle.

Can be installed in closed frames.

Material: Bolt connector: Galvanised steel

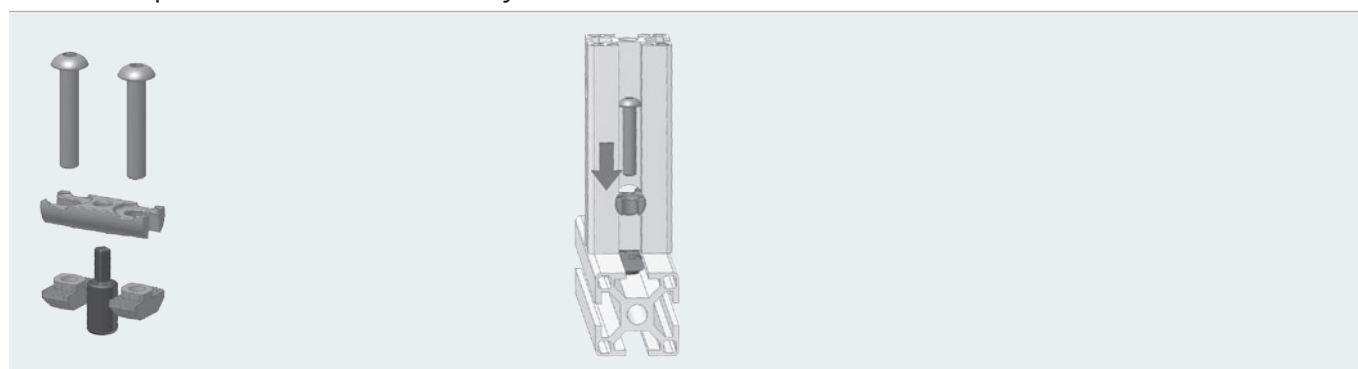
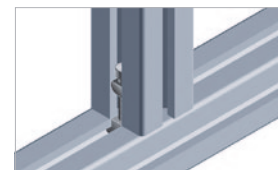
Centring pin, cap: plastic (PA)

Dummy plug: PVC, black

Note: Use the dummy plugs to close the drill hole in closed slots.

The caps are included in the package.

Note: The caps in the sets are not ESD-ready.



4

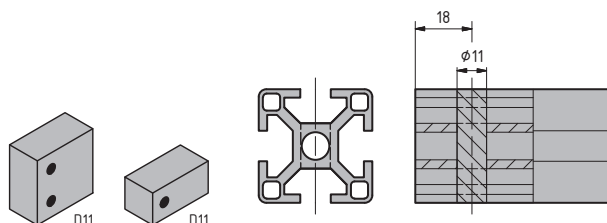
DESIGNATION	SLOT	MACHINING	ARTICLE NUMBER
Bolt connector for profile 30, 2× fillister head screw with hexagon socket included	8	D11	482535624
Bolt connector for profile 30, 2× fillister head screw with hexagon socket included	8/10	D11	402535583
Bolt connector for profile 40, 2× fillister head screw with hexagon socket included	10	D17	412535620
Bolt connector for profile 45, 2× fillister head screw with hexagon socket included	10	D17	412500921
Bolt connector for profile 50, 2× fillister head screw with hexagon socket included	10	D17	412535621
Bolt connector for profile 60, 2× fillister head screw with hexagon socket included	10	D17	412500922
Bolt connector for profile 80, 2× fillister head screw with hexagon socket included	10	D17	412535622
Bolt connector for profile 90, 2× fillister head screw with hexagon socket included	10	D17	412500923
Bolt connector for profile 100, 2× fillister head screw with hexagon socket included	10	D17	412535618
Bolt connector cap D11	8	Black plastic (PA)	482352315
Bolt connector cap D11	8	Plastic (PA), light grey (RAL7035)	482352316
Bolt connector cap D11	8	Plastic (PA), signal grey (RAL7004)	482352317 new
Bolt connector cap D17	10	Black plastic (PA)	412541247
Bolt connector cap D17	10	Plastic (PA), light grey (RAL7035)	412541248
Bolt connector cap D17	10	Plastic (PA), signal grey (RAL7004)	412541249 new
Dummy plug for D11		PVC, black	402311107
Dummy plug for D17		PVC, black	402311109

Bolt connector loads

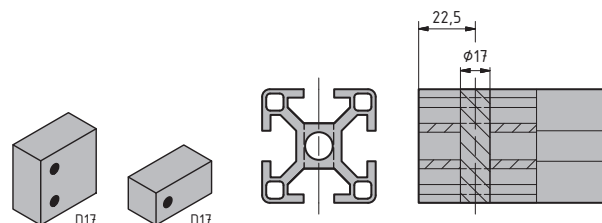
SIZE	TIGHTENING TORQUE	F _{MAX}	M _{MAX}
30	6 Nm	1200 N	30 Nm
40	25 Nm	2000 N	80 Nm
45	25 Nm	2000 N	80 Nm
60	25 Nm	2000 N	80 Nm
80	25 Nm	2500 N	350 Nm
90	25 Nm	2500 N	350 Nm
100	25 Nm	2500 N	400 Nm

Machining of bolts

D11



D17



Centre bolt



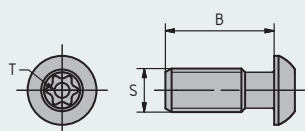
Links two aluminium profiles.

Material: Galvanised steel

Material Dummy plug: PVC, black

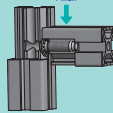
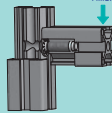
Note: Use the dummy plugs to close the drill hole in closed slots.

Info: To be able to put in the centre bolt, drill a hole through the profile to provide access for the torx wrench (see below).



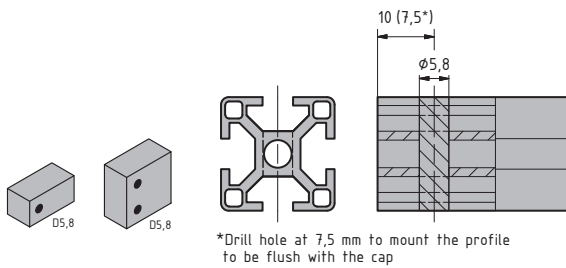
DESIGNATION	B	S	T	MACHINING	ARTICLE NUMBER
S6 × 16 centre bolt (self-tapping)	16	S6	T25	D5.8	402528593
S8 × 25 centre bolt (self-tapping)	25	S8	T40	D7.8	482527174
S12 × 30 centre bolt (self-tapping)	30	S12	T50	D9.8	412530236
M12 × 30 centre bolt	30	M12	T50	D9.8	412530235

Centre bolt loads

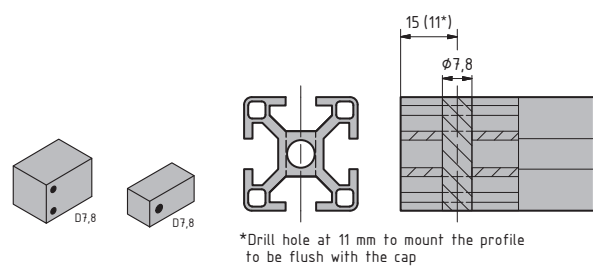
SIZE	F MAX 	M MAX 
S6	250 N	3 Nm
S8	400 N	20 Nm
S12	600 N	40 Nm
M12	600 N	40 Nm

Machining of centre bolt

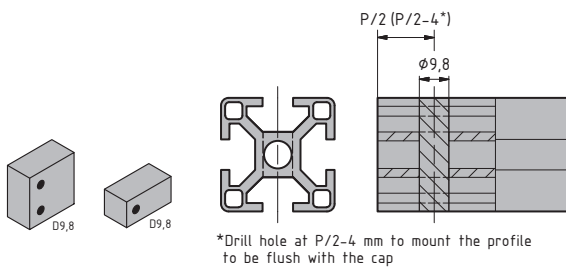
D5.8



D7.8



D9.8



T-Matic connector

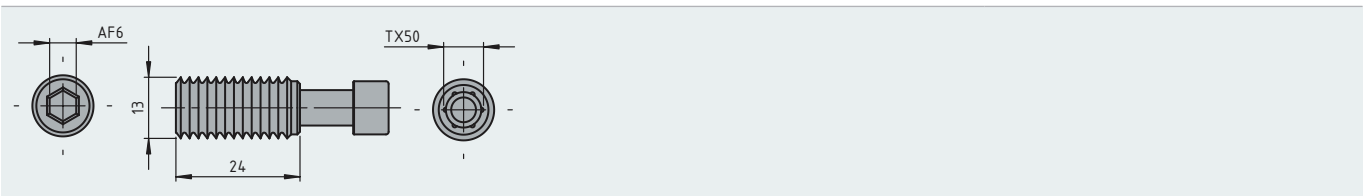
Quickly and reliably links two aluminium profiles without having to modify them. Owing to the connector's self-tapping thread, the aluminium profile need not be machined.

Material: Galvanised steel

Pull out strength per sleeve: < 43 Nm (approx. 1400 kg)

Tightening torque of screw: 25- Nm

Tip: Screw the connectors into the profile slot such that they are about 1–2 mm below the cutting edge.



DESIGNATION	SLOT	ARTICLE NUMBER
T-Matic connector	8	482652002
T-Matic connector with slot nut; profiles 45 × 45L and 45 × 90L only	10	412652000
T-Matic connector with slot nut; except for profiles 45 × 45L and 45 × 90L	10	412652001
Self-tapping screw of T-Matic connector except for profiles 45 × 45L and 45 × 90L	10	412652003

Milling connector



Quickly and reliably links two aluminium profiles **without having to modify them**.

Material: Galvanised steel

Set: hammer head nut and 1 screw (DIN912) included

Mounting instruction: Check that the mounted milling connector is flush with the profile edge.



profile 30

for profile 45

for light-duty profile 45

DESIGNATION	N	H	F= 	M _{MAX} = 	ARTICLE NUMBER
Milling connector for profile 30	8	1.5 mm	1000 N	20 Nm	482311501
Milling connector for profile 45	10	3.0 mm	4000 N	100 Nm	412311502
Milling connector for light-duty profile 45	10	3.0 mm	4000 N	50 Nm	412311503

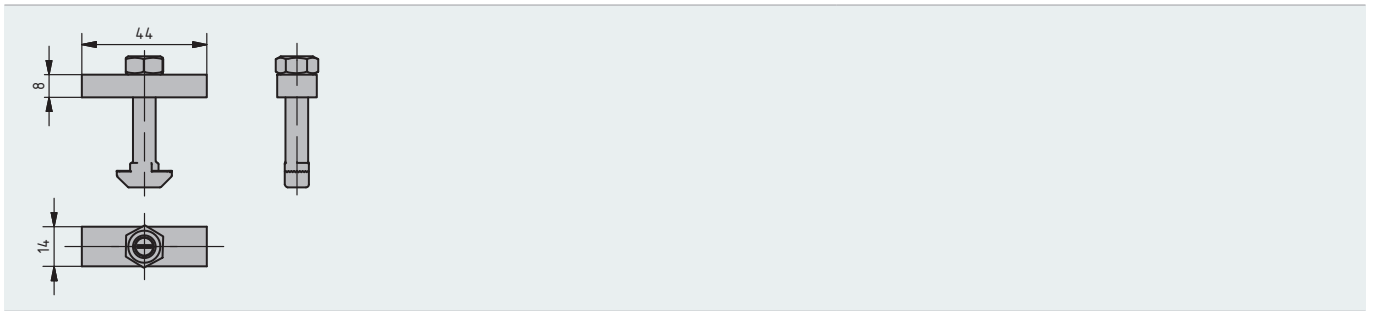
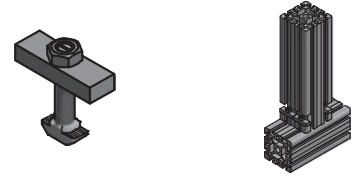
Cross connector



For linking two profiles at a right angle.
Very good access for installation tool.
Profile machining: F1 standard milling

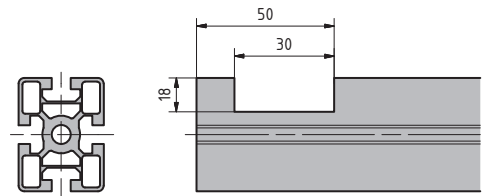
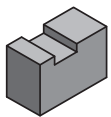
Material: Galvanised steel

Package includes: 1× cross connector, 1× M8×40 hammer head screw,
1× Schnorr washer, 1× M8 nut



DESIGNATION	SLOT	ARTICLE NUMBER
Cross connector	10	406146972

Machining of cross connector F1



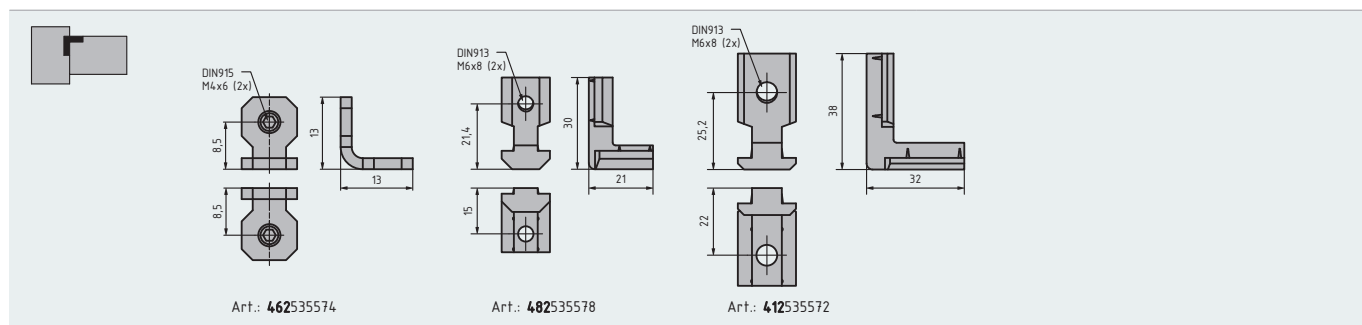
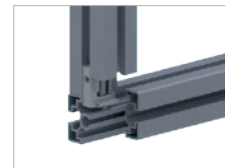
Inside bracket



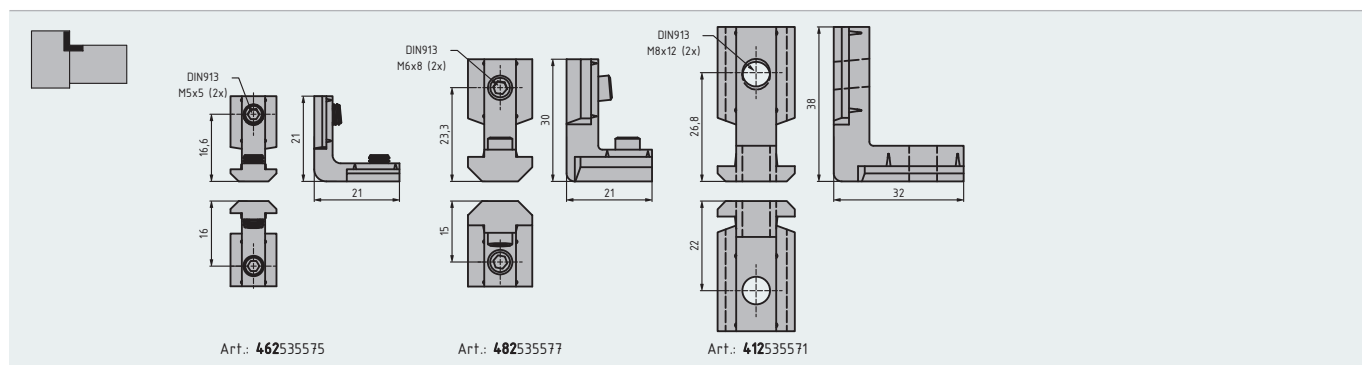
Creates elegant and easy-to-install profile connections.
Particularly suited to building frames or doors, safety grids or partition walls.

Inside bracket slot 6 mm can also be used as inside bracket R slot 6 mm.

Profile machining: not required



DESIGNATION	SLOT	MATERIAL	ARTICLE NUMBER
Inside bracket with M4 × 6 grub screw	6	Galvanised steel	462535574
Inside bracket with M6 × 8 grub screw	8	Die-cast zinc	482535578
Inside bracket with M8 × 12 grub screw	10	Die-cast zinc	412535572



DESIGNATION	SLOT	MATERIAL	ARTICLE NUMBER
Inside bracket R with M4 × 6 grub screw	6	Die-cast zinc	462535575
Inside bracket R with M6 × 8 grub screw	8	Die-cast zinc	482535577
Inside bracket R with M8 × 12 grub screw	10	Die-cast zinc	412535571

Inside bracket loads

ARTICLE NUMBER	M _{MAX}	F _{MAX}
462535575	80 Nm	2 N
462535574	—	—
482535577	600 Nm	10 N
482535578	500 Nm	12 N
412535571	700 Nm	20 N
412535572	600 Nm	20 N



Various bracket sizes and models are available.

Mount both in the slot and on straight surfaces (break off the centring lug).

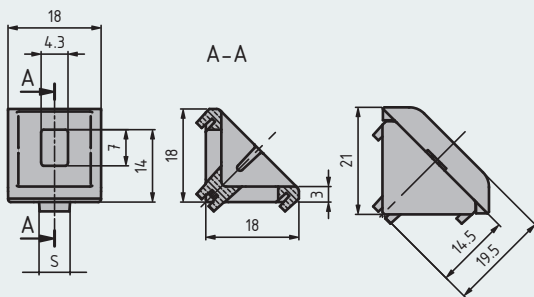
Dirt protection cap.

Mounts easily without having to machine the profile.

Material: Die-cast zinc (uncoated and silver powder coated)

Note: To install the ESD-ready angles, use a hammer head nut in order to make a conductive link.

Bracket 20 × 20



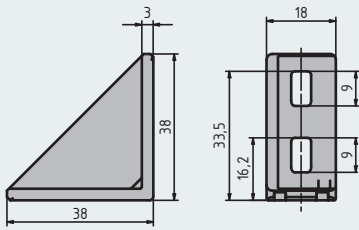
Mounting kit:
 2 × M4 × 8 filister head screw (ISO7380)
 2 × slot 6 M4 hammer head nut

DESIGNATION	SLOT	ESD	ARTICLE NUMBER
Bracket 20 × 20 with mounting material	6/6		462523511
Bracket 20 × 20	6		462523508
Bracket 20 × 20 silver powder coated mount included	6/6	—	462538707
Black cap	—	—	462523513
Black cap	—		462548843
Signal grey cap (RAL7004)	—	—	462548842

Material: Bracket: Die-cast aluminium (uncoated and silver powder coated)
 Cap: PA
 Mounting kit: Galvanised steel

F _{MAX}	M _{MAX1}	M _{MAX2}
500 N	5 Nm	15 Nm

Bracket 20 × 40



Mounting kit:
4 × M4 × 8 cheese head screw (ISO7380)
4 × slot 6 M4 hammer head nut

DESIGNATION	SLOT	ESD	ARTICLE NUMBER
Bracket 20 × 40 with mounting material	6/6		462523520
Bracket 20 × 40	6		462523517
Bracket 20 × 40 silver powder coated mount included	6/6	—	462538708
Black cap	—	—	462523522
Black cap	—		462548845
Signal grey cap (RAL7004)	—	—	462548844

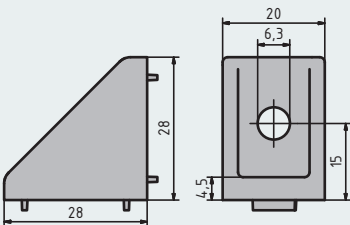
Material: Bracket: Die-cast aluminium (uncoated and silver powder coated)

Cap: PA

Mounting kit: Galvanised steel

F _{MAX}	M _{MAX1}	M _{MAX2}
1000 N	10 Nm	25 Nm

Bracket 20 × 28

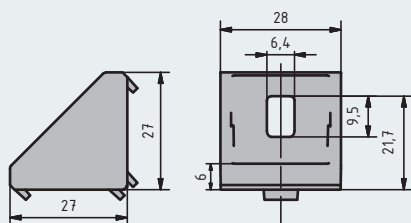


Mounting kit:
2 × M6 × 12 cheese head screw (DIN7984)
2 × slot 6 M6 hammer head nut

DESIGNATION	SLOT	ESD	ARTICLE NUMBER
Bracket 20 × 28 with mounting material	8/8		482502137
Bracket 20 × 28	8		482501587

Material: Bracket: Uncoated die-cast zinc
Mounting kit: Galvanised steel

Bracket 30 × 30



Mounting kit:

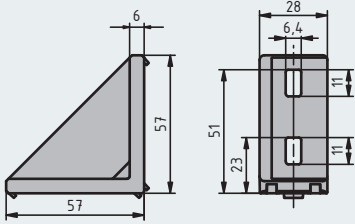
- Slot 8/8 2× M6 × 14 cheese head screw (DIN7984)
 2× slot 8 M6 hammer head nut
- Slot 8/10 1× M6 × 14 cheese head screw (DIN7984)
 1× slot 8 M6 hammer head nut
 1× M6 × 18 cheese head screw (DIN7984)
 1× slot 10 M6 hammer head nut
 2× slot lock
- Slot 10/10 2× M6 × 18 cheese head screw (DIN7984)
 2× slot 10 M6 hammer head nut
 4× slot lock

DESIGNATION	SLOT	ESD	ARTICLE NUMBER
Bracket 30 × 30 with mounting material	8/8		482523528
Bracket 30 × 30 with mounting material	8/10		402523530
Bracket 30 × 30 with mounting material	10/10		412523532
Standard bracket 30 × 30	8		482523525
Bracket 30 × 30 silver powder coated mount included	8/8	—	482538709
Bracket 30 × 30 silver powder coated with mounting material	8/10	—	402538711
Bracket 30 × 30 silver powder coated mount included	10/10	—	412538710
Black cap		—	482523534
Black cap			482523535
Light grey cap (RAL7035)		—	482523536
Signal grey cap (RAL7004)			482548846
Connecting piece	8/10	—	402523537

Material: Bracket: Die-cast aluminium (uncoated and silver powder coated)
Cap, connecting piece: PA;
Mounting kit: Galvanised steel

F _{MAX}	M _{MAX1}	M _{MAX2}
800 N	10 Nm	30 Nm

Bracket 30 × 60



Mounting kit:
4 × M6 × 14 cheese head screw (DIN7984)
4 × slot 8 M6 hammer head nut

DESIGNATION	SLOT	ESD	ARTICLE NUMBER
Bracket 30 × 60 with mounting material	8/8		482523541
Bracket 30 × 60	8		482523538
Bracket 30 × 60 silver powder coated mount included	8/8	—	482538712
Black cap	—	—	482523543
Signal grey cap (RAL7004)	—	—	482548848
Connecting piece	8/10	—	402523537

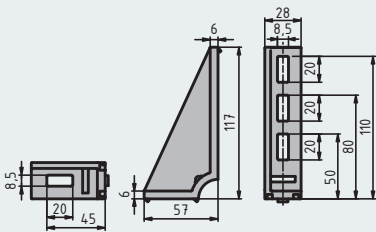
Material: Bracket: Die-cast aluminium (uncoated and silver powder coated)

Cap: PA

Mounting kit: Galvanised steel

F _{MAX}	M _{MAX1}	M _{MAX2}
1600 N	35 Nm	70 Nm

Bracket 30 × 120

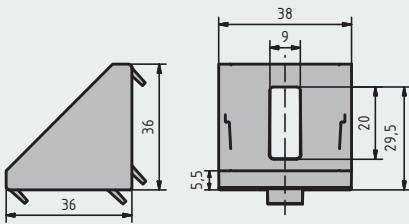


DESIGNATION	SLOT	ESD	ARTICLE NUMBER
Bracket 30 × 120	8		482523587
Cap	—	—	482523589
Connecting piece	—	—	402523537

Material: Bracket: Uncoated die-cast aluminium
Cap, connecting piece: black PA

F _{MAX}	M _{MAX1}	M _{MAX2}
2400 N	35 Nm	70 Nm

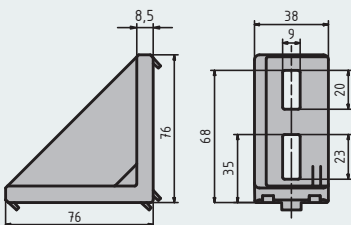
Bracket 40 × 40



Mounting kit:
2× M8×20 hammer head screw
2× M8 flanged nut

DESIGNATION	SLOT	ESD	ARTICLE NUMBER
Bracket 40 × 40 with mounting material	10/10		412529383
Bracket 40 × 40	10		412528967
Bracket 40 × 40 silver powder coated mount included	10/10	—	412538716
Black cap	—	—	412529007
Black cap	—		412548855
Light grey cap (RAL7035)	—	—	412529009
signal grey cap (RAL7004)	—	—	412548854
Material: Bracket: Die-cast aluminium (uncoated and silver powder coated) Cap: PA; Mounting kit: Galvanised steel			
F_{MAX}	M_{MAX1}	M_{MAX2}	
1500 N	25 Nm	60 Nm	

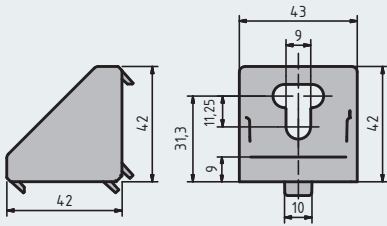
Bracket 40 × 80



Mounting kit:
2× M8×20 hammer head screw
2× M8 flanged nut

DESIGNATION	SLOT	ESD	ARTICLE NUMBER
Bracket 40 × 80 with mounting material	10/10		412529386
Bracket 40 × 80	10		412529005
Bracket 40 × 80 silver powder coated mount included	10/10	—	412538717
Black cap	—	—	412529008
Black cap	—		412548857
signal grey cap (RAL7004)	—	—	412548856
Material: Bracket: Die-cast aluminium (uncoated and silver powder coated) Cap: PA Mounting kit: Galvanised steel			
F_{MAX}	M_{MAX1}	M_{MAX2}	
3000 N	60 Nm	130 Nm	

Bracket 43 × 42



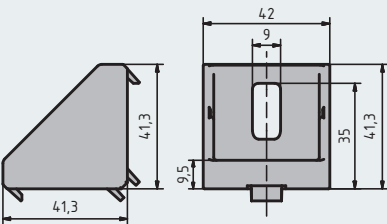
Mounting kit:
2× M8×25 hammer head screw
2× M8 flanged nut

DESIGNATION	SLOT	ESD	ARTICLE NUMBER
Bracket 43 × 42 with mounting material	10/10		412352009
Bracket 43 × 42	10		412348526
Black cap	—		412352010

Material: Bracket: Uncoated die-cast aluminium
Cap: PA
Mounting kit: Galvanised steel

F _{MAX}	M _{MAX1}	M _{MAX2}
1500 N	25 Nm	60 Nm

Bracket 45 × 45



Mounting kit:
2× M8×25 hammer head screw
2× M8 flanged nut

DESIGNATION	SLOT	ESD	ARTICLE NUMBER
Bracket 45 × 45 with mounting material	10/10		412523561
Bracket 45 × 45	10		412523558
Bracket 45 × 45 silver powder coated mount included	10/10	—	412538719
Black cap	—		412523563
Black cap			412548863
Light grey cap (RAL7035)	—		412523564
Signal grey cap (RAL7004)	—		412548862

Material: Bracket: Die-cast aluminium (uncoated and silver powder coated)
Cap: PA;
Mounting kit: Galvanised steel

F _{MAX}	M _{MAX1}	M _{MAX2}
1500 N	25 Nm	70 Nm

Bracket 45 × 90

Mounting kit:
4× M8×25 hammer head screw
4× M8 flanged nut

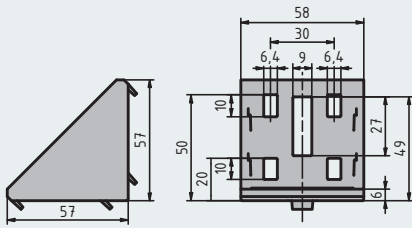
DESIGNATION	SLOT	ESD	ARTICLE NUMBER
Bracket 45 × 90 with mounting material	10/10		412523570
Bracket 45 × 90	10		412523567
Black cap	—	—	412523572
Light grey cap (RAL7035)	—	—	412523573
Signal grey cap (RAL7004)	—	—	412548864
Material: Bracket: Uncoated die-cast aluminium Cap: PA; Mounting kit: Galvanised steel			
F_{MAX}	M_{MAX1}	M_{MAX2}	
3000 N	60 Nm	150 Nm	

Bracket 45 × 180

Mounting kit:
2× M8×25 hammer head screw
2× M8 flanged nut

DESIGNATION	SLOT	ESD	ARTICLE NUMBER
Bracket 45 × 180	10		412523583
Bracket 45 × 180 silver powder coated mount included	10	—	412538750
Material: Bracket: Uncoated die-cast aluminium			
F_{MAX}	M_{MAX1}	M_{MAX2}	
4500 N	60 Nm	150 Nm	

Bracket 60 × 60



Mounting kit:

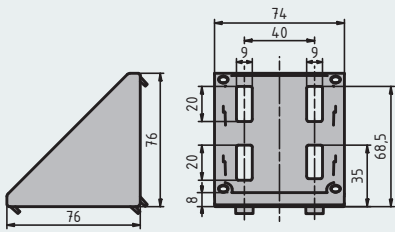
- Slot 8/8 8× M6 × 14 cheese head screw (DIN7984)
8× slot 8 M6 hammer head nut
- Slot 8/10 4× M6 × 14 cheese head screw (DIN7984)
4× slot 8 M6 hammer head nut
2× slot lock
1× M8 flanged nut
1× M8×20 hammer head screw
- Slot 10/10 2× M8×20 hammer head screw
2× M8 flanged nut

DESIGNATION	SLOT	ESD	ARTICLE NUMBER
Bracket 60 × 60 with mounting material	8/8		482523549
Bracket 60 × 60 with mounting material	8/10		402523551
Bracket 60 × 60 with mounting material	10/10		412523553
Standard bracket 60 × 60	8		412523546
Bracket 60 × 60 silver powder coated mount included	8/8	—	482538713
Bracket 60 × 60 silver powder coated mount included	8/10	—	402538714
Bracket 60 × 60 silver powder coated mount included	10/10	—	412538715
Black cap		—	412523555
Signal grey cap (RAL7004)		—	412548852
Connecting piece	10	—	402523537

Material: Bracket: Die-cast aluminium (uncoated and silver powder coated)
Cap, connecting piece: PA
Mounting kit: Galvanised steel

FMAX	MMAX1	MMAX2
3200 N	70 Nm	140 Nm

Bracket 80 × 80



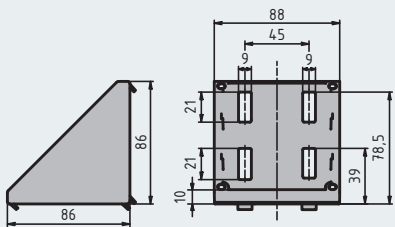
Mounting kit:
8 × M8×25 hammer head screw
8 × M8 flanged nut

DESIGNATION	SLOT	ESD	ARTICLE NUMBER
Bracket 80 × 80 with mounting material	10/10		412530360
Bracket 80 × 80	10		412530231
Bracket 80 × 80 silver powder coated mount included	10/10	—	412538718
Black cap	—	—	412530232
Black cap	—		412548861
Signal grey cap (RAL7004)	—	—	412548860

Material: Bracket: Die-cast aluminium (uncoated and silver powder coated)
Cap: PA
Mounting kit: Galvanised steel

F _{MAX}	M _{MAX1}	M _{MAX2}
6,000 N	120 Nm	250 Nm

Bracket 90 × 90



Mounting kit:
8 × M8×25 hammer head screw
8 × M8 flanged nut

DESIGNATION	SLOT	ESD	ARTICLE NUMBER
Bracket 90 × 90 with mounting material	10/10		412523578
Bracket 90 × 90	10		412523575
Bracket 90 × 90 silver powder coated mount included	10/10	—	412538721
Black cap	—	—	412523580
Black cap	—		412548869
Signal grey cap (RAL7004)	—	—	412548868

Material: Bracket: Die-cast aluminium (uncoated and silver powder coated)
Cap: PA
Mounting kit: Galvanised steel

F _{MAX}	M _{MAX1}	M _{MAX2}
6,000 N	150 Nm	300 Nm

Steel angle

Links two aluminium profiles at a right angle.

Material: Galvanised steel

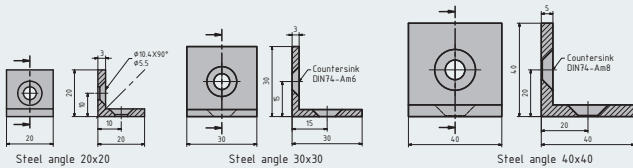
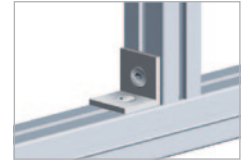
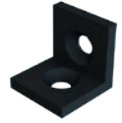
Note: To install the ESD-ready angles, use a hammer head nut in order to make a conductive link.



On-site mount:

Screw size recommended for slot 6: DIN 7991 M5 × 8 (402150205) & M5 slot nut for slot 6

Screw size recommended for slot 8: DIN 7991 M6 × 10 (402150200) & M6 slot nut for slot 6

Screw size recommended for slot 10: DIN7991 M8 × 14 (402150204) & M8 slot nut for slot 10



DESIGNATION W × H	MATERIAL	F _{MAX}	M _{MAX}	ARTICLE NUMBER
Bracket 20 × 20	Black powder coated steel	600 N	15 Nm	402700005
Bracket 30 × 30 	Blue galvanised steel	800 N	25 Nm	402700002
Bracket 30 × 30	Black powder coated galvanised steel	800 N	25 Nm	402700003
Bracket 40 × 40 	Blue galvanised steel	1500 N	50 Nm	402700001
Bracket 40 × 40	Black powder coated steel	1500 N	50 Nm	402700004

Bracket set

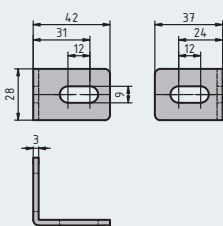


Steel angle without centring lug for fastening profiles at any angle.

Profile machining: not required

Material: Galvanised steel

Package includes: 4× bracket and 8× M8 × 20 hammer head nut and 8× M8 flanged nut

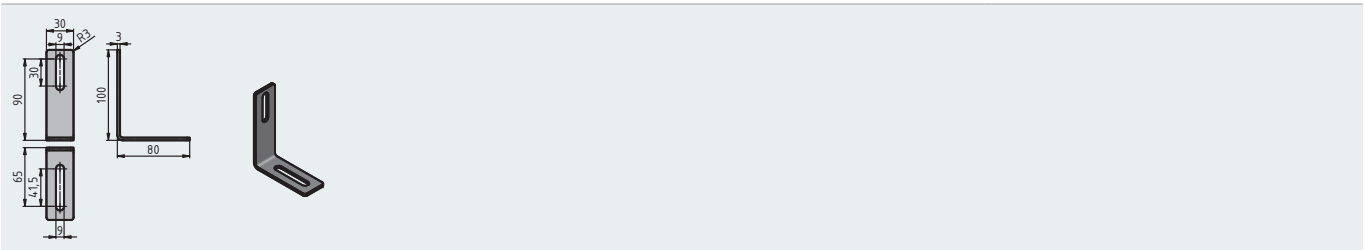


DESIGNATION	SLOT	ARTICLE NUMBER
Bracket set	10	416537861

Mounting angle

Material: Stainless steel, vibratory ground

Package includes: 2× M8 × 20 hammer head nut, 2× M8 flanged nut



DESIGNATION	ARTICLE NUMBER
Stainless steel mounting angle 80 × 100 × 3	402535125

Pivot bracket

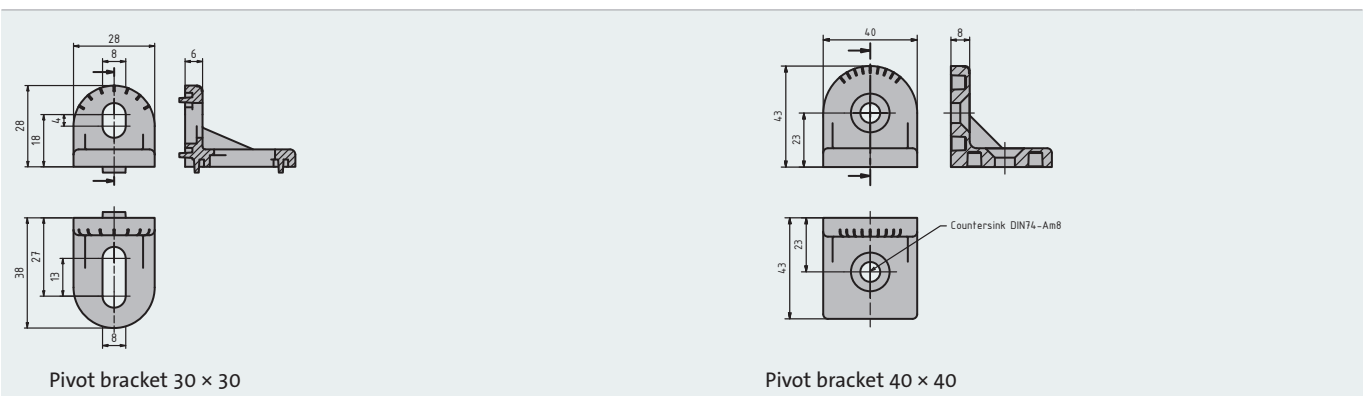
Links two aluminium profiles at various angles between 0° and 180°.

Centring lug acts as anti-twist device and ensures that installation is quick and accurate.

Simply break off the centring lugs to install the bracket on plates or across the slot.

Material: Die-cast aluminium

Note: To install the ESD-ready angles, use a hammer head nut in order to make a conductive link.



DESIGNATION	SLOT	THREAD	ESD	F=	M=	ARTICLE NUMBER
Pivot bracket 30×30	8	M8		800 N	12 Nm	482515473
Pivot bracket 30×30 with mounting kit	8/10	M8		800 N	12 Nm	402515547
Pivot bracket 30×30 with mounting kit	10	M8		800 N	12 Nm	412521580
Pivot bracket 30×30 with silver powder coated mounting kit	8/10	M8	no	800 N	12 Nm	402538703
Pivot bracket 30×30 with silver powder coated mounting kit	10	M8	no	800 N	12 Nm	412538704
Pivot bracket 40×40	8-10	M8		800 N	12 Nm	402504760
Pivot bracket 40×40 with mounting kit	10	M8		800 N	12 Nm	412518424
Pivot bracket 40×40 with silver powder coated mounting kit	10	M8	no	800 N	12 Nm	412538706

Sheet metal bracket



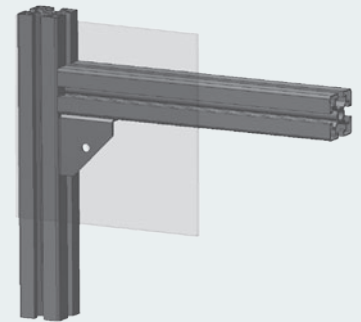
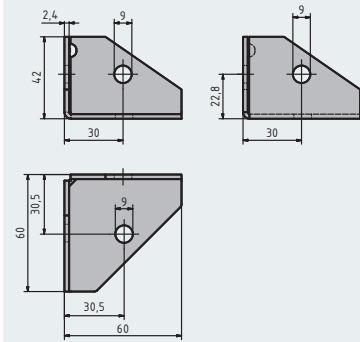
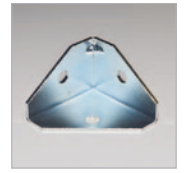
Sheet metal bracket for linking profiles at a right angle.
Use the hole in the stiffening rib to fasten surface elements.

Profile machining: not required

Material: galvanised steel sheet

Required accessories: M8×20 hammer head screw **No 412528715**;
M8 flanged nut **No.: 412345081**

Note: To install the ESD-ready angles, use a hammer head nut in order to make a conductive link.



DESIGNATION	SLOT	F =	M =	ARTICLE NUMBER
Sheet metal bracket	10	1,500 N	30 Nm	412146813

Corner angle

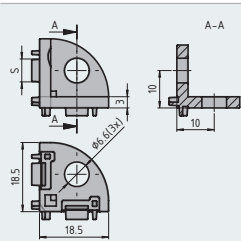


Right-angled links between up to three square or semi-circular profiles of the same cross section. Square or round caps for protection against injury and dirt.

Machining: not required – screw down with self-tapping screws

Material: die-cast zinc; mounting kit: galvanised steel; self-tapping screws caps: plastic (PA)

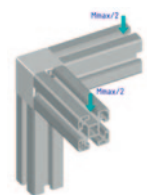
Corner angle 20



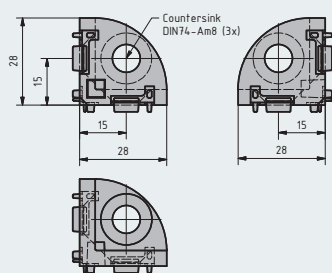
DESIGNATION	COLOUR	SLOT	ESD	ARTICLE NUMBER
Corner angle 20 including 3 × S6 × 16 screw		6		462519318
Round cap	black	6		462548712
Round cap	signal grey (RAL7004)	6	No	462548708
Square cap	black	6		462548720
Square cap	signal grey (RAL7004)	6	No	462548716

Corner angle loads

	F (Nm)
Corner angle 20	Mmax/2 = 12 Nm



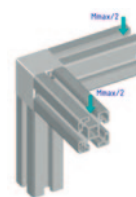
Corner angle 30



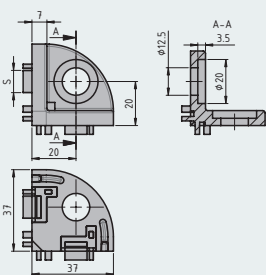
DESIGNATION	COLOUR	SLOT	ESD	ARTICLE NUMBER
Corner angle 30 including 3 × S8 × 25 countersunk screw		8		482519319
Round cap	black			482548713
Round cap	signal grey (RAL7004)		No	482548709
Square cap	black			482548721
Square cap	signal grey (RAL7004)		No	482548717

Corner angle loads

	F (Nm)
Corner angle 30	Mmax/2 = 80 Nm

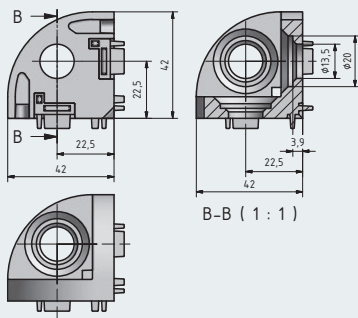


Corner angle 40



DESIGNATION	COLOUR	SLOT	ESD	ARTICLE NUMBER
Corner angle 40 including 3 S12 × 30 screws		10		412529404
Round cap	black			412548714
Square cap	black			412548722
Round cap	signal grey (RAL7004)		No	412548718
Square cap	signal grey (RAL7004)		No	412548710

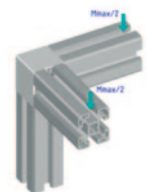
Corner angle 45



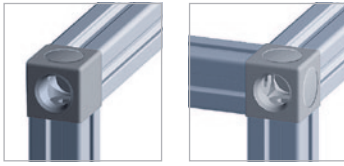
DESIGNATION	COLOUR	SLOT	ESD	ARTICLE NUMBER
Corner angle 45 including 3× S12 × 30 screw		10		412519321
Round cap	black			412548715
Round cap	silver coated (RAL 9006)		No	412517292
Round cap	signal grey (RAL7004)		No	412548711
Square cap	black			412548723
Square cap	signal grey (RAL7004)		No	412548719

Corner angle loads

	F (Nm)
Corner angle 45	
Profile 45 × 45L	70 Nm
Profile 45 × 45	70 Nm



Cube connector



Links up to three aluminium profiles of the same cross section at a right angle.
Screwed to the profile by self-tapping screws.
Including caps for closing the opening.

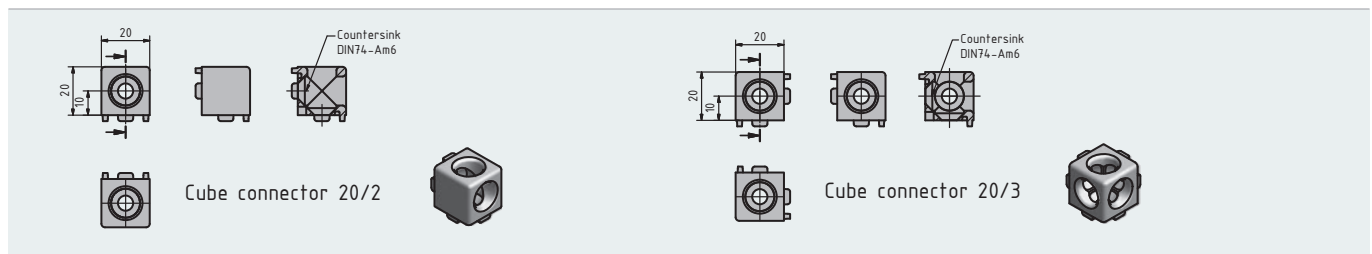
Material: Cube connector Uncoated aluminium

Cap: PE

Mounting kit: Galvanised steel

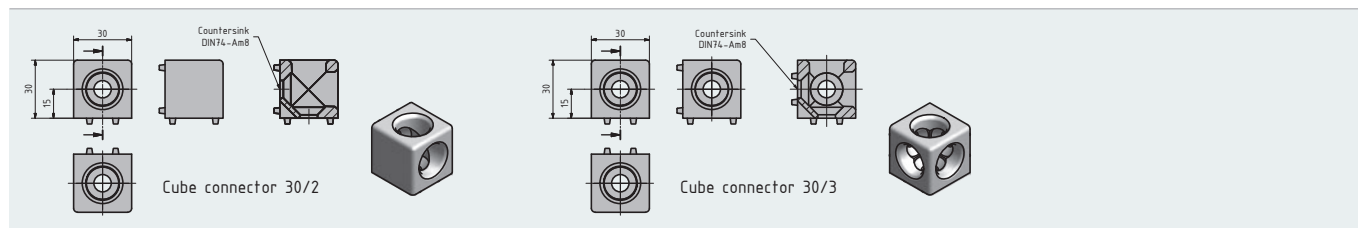
Machining: not required – screw down with self-tapping screws

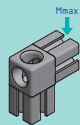
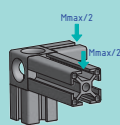


Cube connector 20



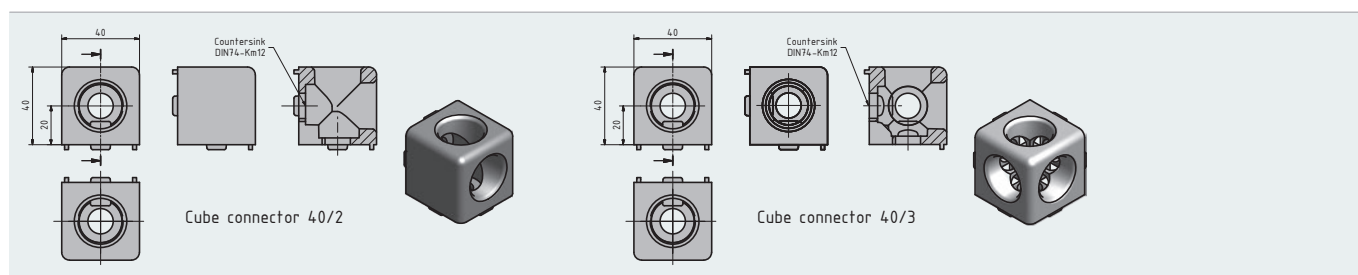
DESIGNATION	SLOT	ESD	M _{max}	M _{max/2}	ARTICLE NUMBER
Cube connector 20/2, 2 black PE caps included	6		18 Nm		462523875
Cube connector 20/2, 2 S6 × 16 screws & 2 black caps included	6			18 Nm	462524484
Cube connector 20/3, 3 black PE caps included	6		18 Nm		462523872
Cube connector 20/3, 3 S6 × 16 screws & 3 black caps included	6			18 Nm	462524478
Black cap for cube connector 20					402525103
Silver cap for cube connector 20					402525203

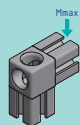
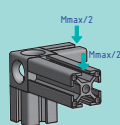


Cube connector 30



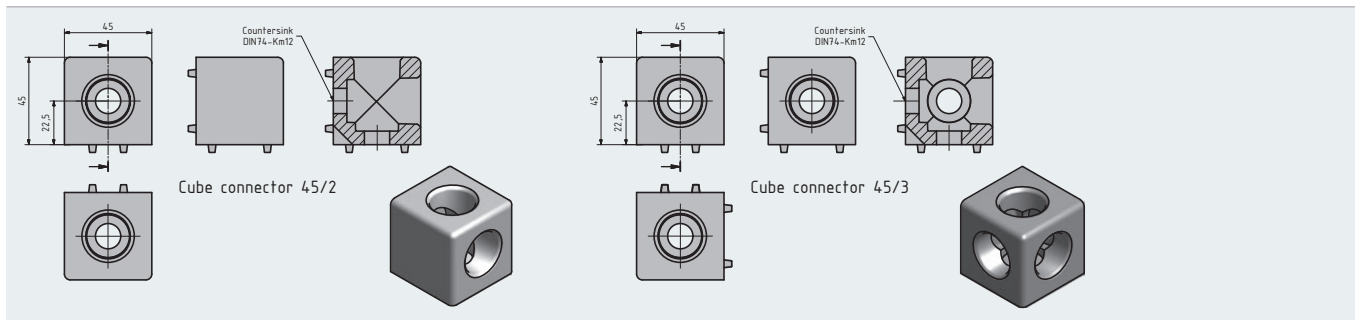
DESIGNATION	SLOT	ESD			ARTICLE NUMBER
Cube connector 30/2, 2 black PE caps included	8		30 Nm		482523876
Cube connector 30/2, 2 S8 × 25 screws & 2 black caps included	8		30 Nm		482524485
Cube connector 30/2, aluminium colour coat, 2 S8 × 25 screws & 2 silver caps included	8		30 Nm		482538727
Cube connector 30/3, 2 black PE caps included	8			30 Nm	482523873
Cube connector 30/3, 3 S8 × 25 screws & 3 black caps included	8			30 Nm	482524479
Cube connector 30/3, aluminium colour coat, 3 S8 × 25 screws & 3 silver caps included	8			30 Nm	482538728
Black cap for cube connector 30	8				482525104
Silver cap for cube connector 30	8				482525204
S8 × 25 centre bolt (self-tapping)	8				482517543

Cube connector 40



DESIGNATION	SLOT	ESD			ARTICLE NUMBER
Cube connector 40/2, 2 black PE caps included	10		50 Nm		412529010
Cube connector 40/2, 2 S12 × 30 screws & 2 black caps included	10		50 Nm		412529395
Cube connector 40/3, 3 black PE caps included	10			50 Nm	412529011
Cube connector 40/3, 3 S12 × 30 screws & 3 black caps included	10			50 Nm	412529397
Black cap for cube connector 40/45	10				412525105
Silver cap for cube connector 40/45	10				412525205
S12 × 30 centre bolt (self-tapping)	10				412530236

Cube connector 45



DESIGNATION	SLOT	ESD		ARTICLE NUMBER
Cube connector 45/2, 2 black PE caps included	10		80 Nm	412523877
Cube connector 45/2, 2 S12 × 30 screws & 2 black caps included	10		80 Nm	412524486
Cube connector 45/2, aluminium colour coat, 2 S12 × 30 screws & 2 silver caps included	10		80 Nm	412538731
Cube connector 45/3, 3 black PE caps included	10		80 Nm	412523874
Cube connector 45/3, 3 S12 × 30 screws & 3 black caps included	10		80 Nm	412524480
Cube connector 45/3, aluminium colour coat, 3 S12 × 30 screws & 3 silver caps included	10		80 Nm	412538732
Black cap for cube connector 40/45	10			412525105
Silver cap for cube connector 40/45	10			412525205
S12 × 30 centre bolt (self-tapping)	10			412530236

T-connector 45 × 45

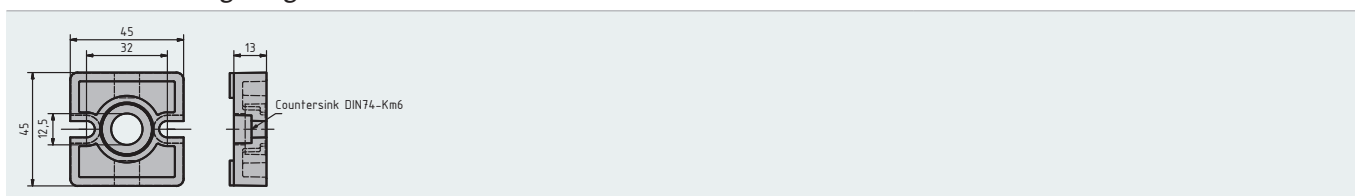
For linking profiles at a right angle.
Mounting material included.

Profile machining: Not required

Package includes: 1× plate, 1× S12 × 30 screw, 2× M6 × 16 screw (DIN7984),
2× M6 hammer head nut slot 10

Material: die-cast zinc

Mounting kit: galvanised steel



DESIGNATION	SLOT	ESD	FMAX	MMAX	ARTICLE NUMBER
T-connector 45 × 45	10		3000 N	70 Nm	412520802
T-connector 45 × 45, silver powder coated	10	No	3000 N	70 Nm	412538698

Terminal connector

For linking the face ends of profiles.

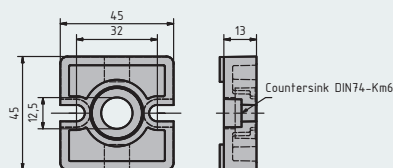
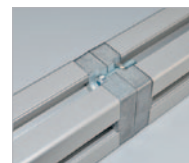
Mounting material included

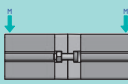

Profile machining: Not required

Package includes: 2x plate, 2x S12 x 30 screw, 2x M6 x 20 screw (DIN7984), 2x M6 hammer head nut (DIN934)

Material: die-cast zinc

Mounting kit: galvanised steel



DESIGNATION	SLOT	ESD		ARTICLE NUMBER
Terminal connector 45 x 45	10		70 Nm	412191175
Terminal connector 45 x 45, silver powder coated	10	No	70 Nm	412538658

Profile connector

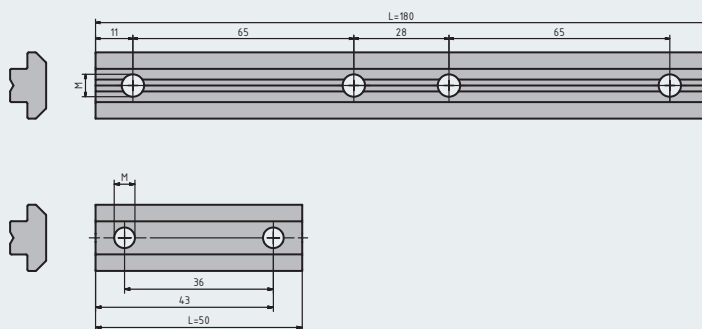


Links the face ends of two aluminium profiles without having to modify them.

To create a particularly stable link: One profile connector per slot.

Package includes: mounting material

Material: Galvanised steel



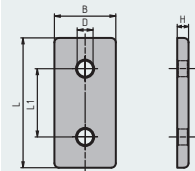
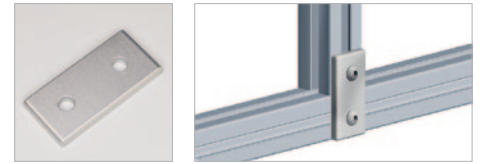
482518427

DESIGNATION	SLOT	L	M	F _{MAX}	ARTICLE NUMBER
Profile connector 20 including 2x M6 x 10 grub screw (DIN913)	8	50 mm	6	800 N	482518427
Profile connector with 4x M6 x 12 cheese head screw (DIN912) and 4x washer (DIN7349)	8	180 mm	6	1600 N	482521216
Profile connector VF with 2x M6 x 8 pan head screw and 2x washer (DIN125)	8	50 mm	6	600 N	402536787
Profile connector with 4x M8 x 16 hex screw (DIN933), 4x washer (DIN7349) and 4x Schnorr washer	10	180 mm	8	3000 N	412528746

Tie plate

Links two aluminium profiles.

Note: To install the ESD-ready tie plates, use a notched slot nut in order to make a conductive link.



DESIGNATION	B	H	D	L	L1	RECOMMENDED SCREW SIZE	ARTICLE NUMBER
Tie plate 20 × 40 mm; Nickel-plated aluminium, matt	18	4	5.5	38	20	Art. no.: 402150032	402650008
Tie plate 20 × 40 mm; Steel, black powder coated	20	3	5,5	40	20	Art. no.: 402150032	402650011 new
Tie plate 20 × 80 mm; Nickel-plated aluminium, matt	18	5	5.5	78	20	M6 × 8 (ISO7380)	402650009
Tie plate 30 × 60 mm; Nickel-plated aluminium, matt	27	5	7	57	30	Art. no.: 402150012	482650005
Tie plate 30 × 60 mm; Black powder coated	30	3	Countersink DIN74-Am6	60	30	Art. no.: 402150200	482650001
Tie plate 30 × 60 mm; galvanised steel	30	3	11	60	30	Art. no.: 402150011	482650002
Tie plate 40 × 80 mm; Nickel-plated aluminium, matt	36	6	9	76	40	Art. no.: 402150016	402650006
Tie plate 40 × 80 mm; Black powder coated	40	5	Countersink DIN74-Am8	80	40	Art. no.: 402150209	402650004
Tie plate 40 × 80 mm; galvanised steel	40	5	Countersink DIN74-Am8	80	40	Art. no.: 402150209	402650003
Tie plate 40 × 120 Black powder coated	40	5	Countersink DIN74-Am8	120	80	Art. no.: 402150209	402650010
Tie plate 45 × 90 mm; Nickel-plated, matt	41	6	9	86	45	Art. no.: 402150016	402650007

Tie plate loads

ARTICLE NUMBER	SIZE	F1 (N)	F2 (N)
402650008	20 × 40	250 N	300 N
402650009	20 × 80	350 N	400 N
482650005	30 × 60	400 N	550 N
482650001	30 × 60	700 N	800 N
482650002	30 × 60	700 N	800 N
402650006	40 × 80	800 N	1000 N
402650004	40 × 80	850 N	900 N
402650003	40 × 80	850 N	900 N
402650007	45 × 90	1000 N	1250 N
402650010	40 × 120	850 N	900 N

Mitre square

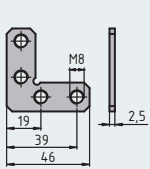
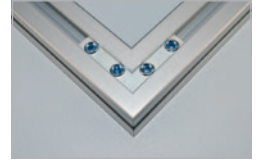


Links mitre-cut profiles at a right angle.

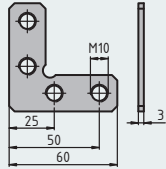
Profile machining of open profile slots: not required

Profile machining of closed profile slots: Through hole for screwdriver

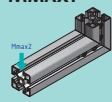
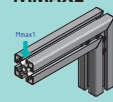
Material: Galvanised steel



Slot 8 mitre square



Slot 10 mitre square

DESIGNATION	SLOT	GRUB SCREW	MMAX1 	MMAX2 	ARTICLE NUMBER
Mitre square	6	M4 × 5 (DIN 915)	30 Nm	30 Nm	462535626
Mitre square	8	M8 × 8 (DIN 913)	75 Nm	75 Nm	482535627
Mitre square	10	M10 × 10 (DIN 913)	150 Nm	150 Nm	412535625

45° connector

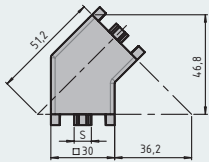
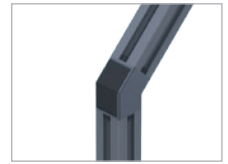
Links profiles at a 45° angle.

Can be used for connection at the face ends or in the profile slot.

Profile machining: not required

Material: Die-cast aluminium

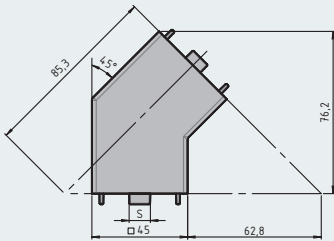
Package includes mounting material



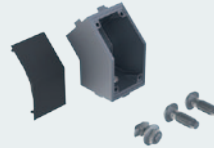
Profile 30 × 30





Note: N10 connecting elements included



Profile 45 × 45



DESIGNATION	SLOT	F1	F2	ARTICLE NUMBER
45° connector for profile 30 × 30 	8	1500 N	2000 N	402518426
45° connector for profile 30 × 30, silver powder coated	8	1500 N	2000 N	402538700
45° connector for profile 45 × 45 	10	2500 N	3500 N	412535428
45° connector for profile 45 × 45, silver powder coated	10	2500 N	3500 N	412538702

Mounting bracket



Bracket for mounting surface elements on profiles e.g. for shelves.

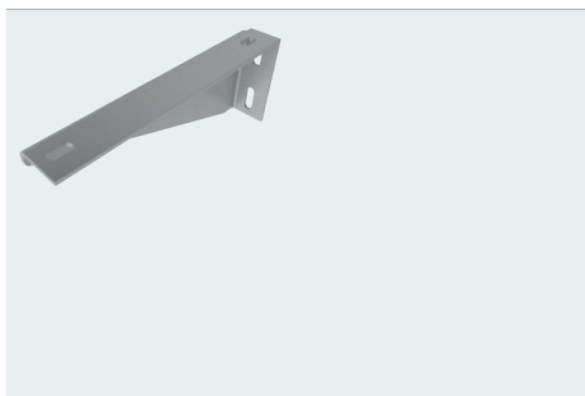
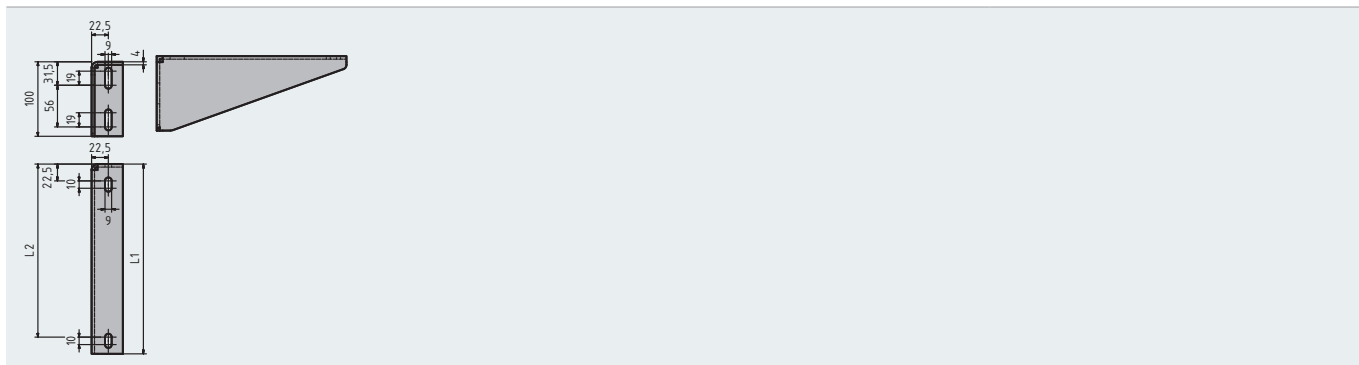
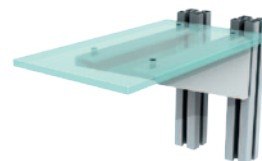
Profile machining: not required

Material: Powder coated steel sheet (RAL7037)

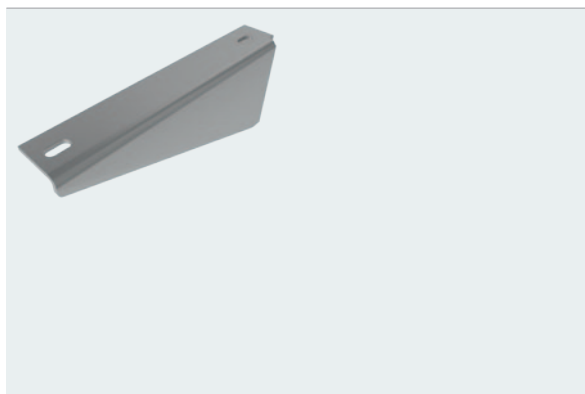
Mounting material: galvanised steel

Package includes: mounting material

2× M8 flanged nut and 2× M8 × 20 hammer head nut



DESIGNATION	L1 (mm)	L2 (mm)	F =	ARTICLE NUMBER
Left mounting bracket	255	228	3000 N	412536119
Left mounting bracket	335	308	3000 N	412536121
Left mounting bracket	415	388	3000 N	412536123
Left mounting bracket	495	468	3000 N	412536125



DESIGNATION	L1 (mm)	L2 (mm)	F =	ARTICLE NUMBER
Right mounting bracket	255	228	3000 N	412536120
Right mounting bracket	335	308	3000 N	412536122
Right mounting bracket	415	388	3000 N	412536124
Right mounting bracket	495	468	3000 N	412536126

Foundation bracket



Firmly links aluminium profiles to the floor.

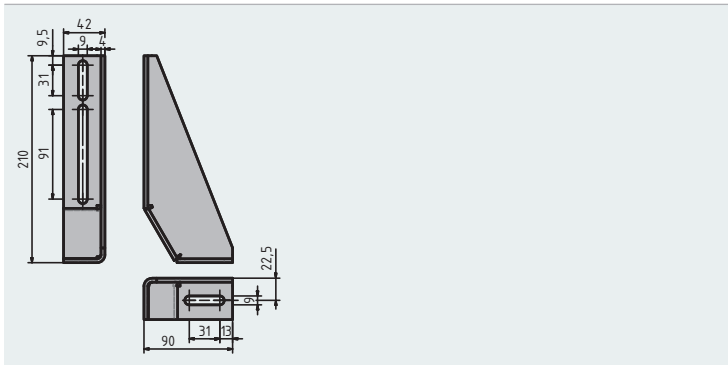
You can drill the hole for the floor dowel without removing the foundation bracket

Profile machining: not required

Material: galvanised steel sheet

On-site mount

Note: To install the ESD-ready angles, use a hammer head nut in order to make a conductive link.

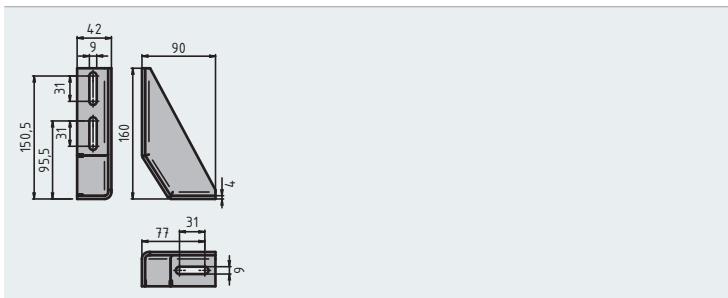


DESIGNATION	ARTICLE NUMBER
-------------	----------------

Foundation bracket, 210 × 90 × 42 mm, galvanised steel, transparent chromate coating

412146848

FMAX	MMAX
4500 N	60 Nm

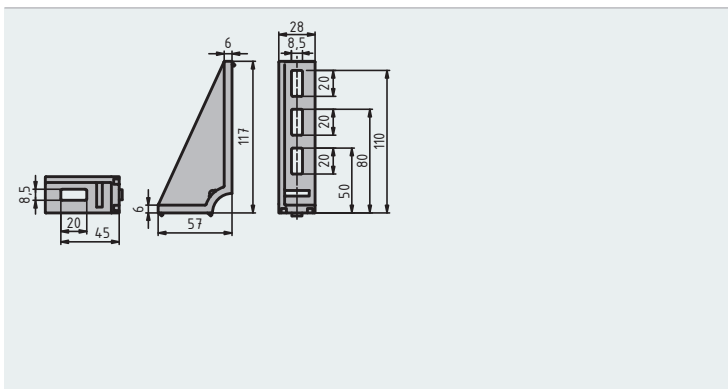


DESIGNATION	ARTICLE NUMBER
-------------	----------------

Foundation bracket, 160 × 90 × 42

412146815

FMAX	MMAX
3000 N	50 Nm



DESIGNATION	ARTICLE NUMBER
-------------	----------------

Foundation bracket, 117 × 57 × 28

482523587

Cap

482523589

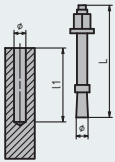
Material: Bracket: Uncoated die-cast aluminium
Cap: Black plastic (PA)

FMAX	MMAX
3000 N	50 Nm

Floor dowel

Anchors base plates, floor angles etc.

Material: Galvanised steel; transparent chromate coating

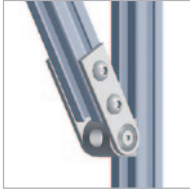


DESIGNATION	Ø	L	h ₁	AF	THREAD (Ø × L)	ARTICLE NUMBER
Floor dowel FBN8/10-23	8	80 mm	65 mm	13	M8 × 39	402526560
Floor dowel FBN10/10-23	10	90 mm	70 mm	17	M10 × 46	402526561
Floor dowel FBN II 12/50	12	146 mm	125 mm	19	M12 × 99	402526562

JOINTS



Page 5|2
Joints



Page 5|6
Support arm joint



Page 5|7
Clamping lever



Page 5|8
Star grip



Page 5|8
Pivot mount

Joint



Joint with adjustable friction. Creates an articulated link between two profiles or surface elements; use the screw to infinitely vary the joint's friction resistance or to fasten the joint at a defined position.

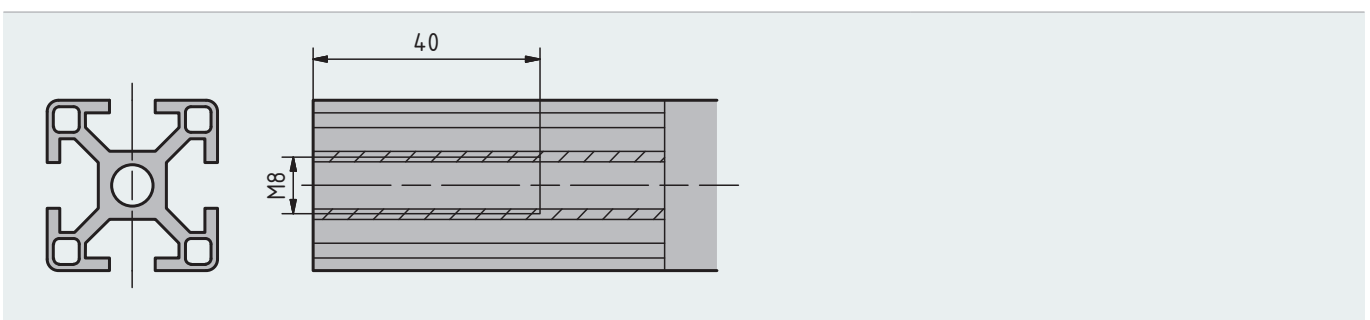
Joint 30

Package includes mounting kit (2× M8 × 16 cheese head screw (DIN7984), 1× slot nut for M8 slot)



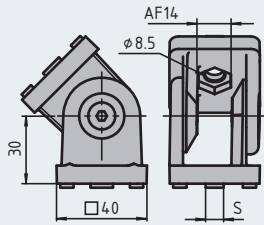
DESIGNATION	MATERIAL	SLOT (N)	ARTICLE NUMBER
Joint 30	Aluminium coloured die-cast zinc	8	484502683
Joint 30 with clamping lever	Aluminium coloured die-cast zinc	8	484500600

Machining of profile for joint 30 × 30



Joint 40

Package includes mounting kit (2 M8 cheese head screws for slot 8, 1 M8 hammer head nut for slot 10)



To mount the joint for profile 40, you must order threaded insert 414500610 (p 5|5) separately.

DESIGNATION	MATERIAL	SLOT (N)	ARTICLE NUMBER
Joint 40	Aluminium coloured die-cast zinc	10	404532235

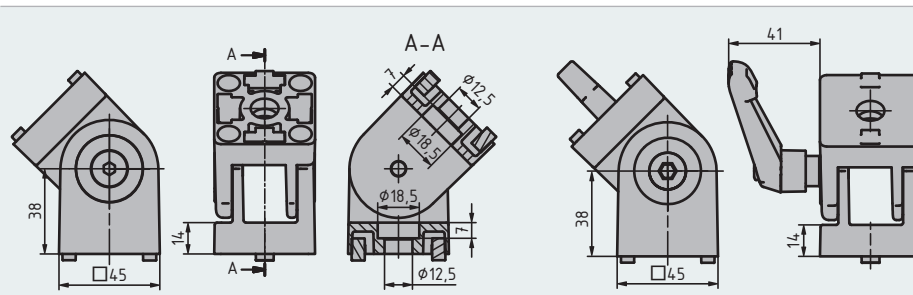
Joint 45

Package includes mounting kit (2x M8x16 screw (DIN7380); 2x M8 hammer head nut for slot 10, 2x S12x30 self-tapping screw)

Machining: machining of profile not required

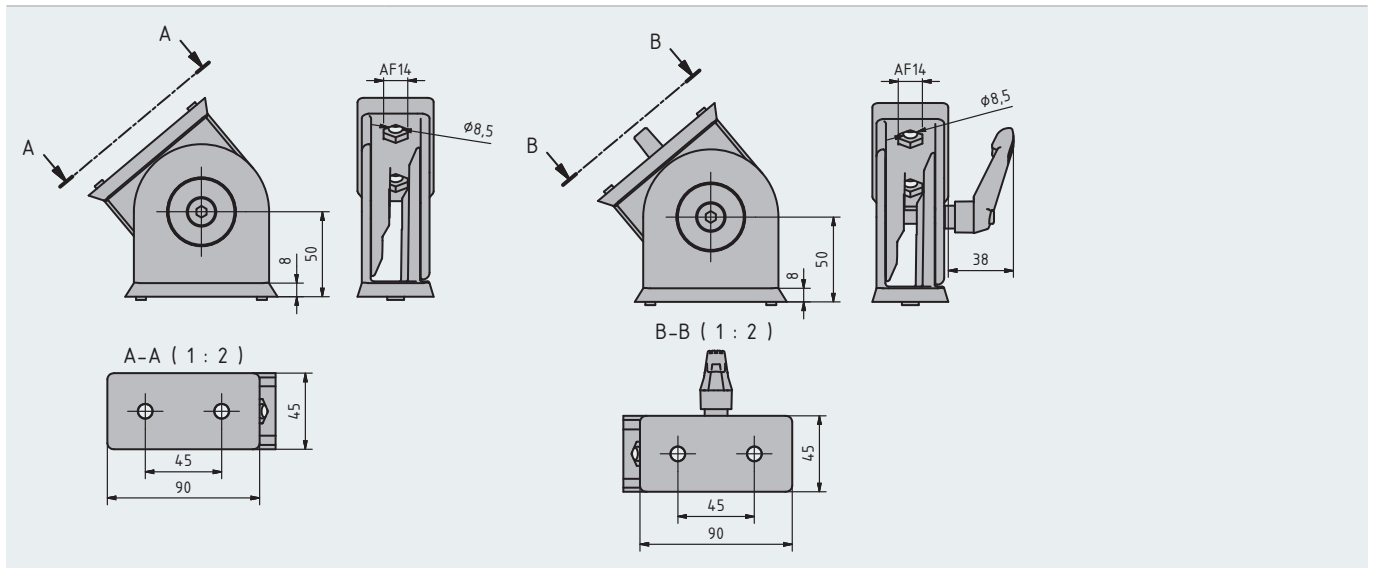


5



DESIGNATION	MATERIAL	SLOT (N)	ARTICLE NUMBER
Joint 45	Aluminium coloured die-cast aluminium	10	414502694
Joint 45 with clamping lever	Aluminium coloured die-cast aluminium	10	414500611

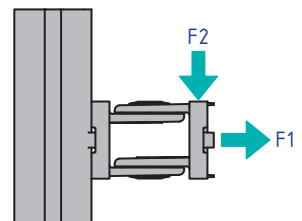
Joint 45 × 90



DESIGNATION	MATERIAL	SLOT	ARTICLE NUMBER
Joint 45 × 90 with 4× hammer head nut, 4× M8 × 16 and M8 × 14 cheese head screw, 4× threaded insert	Aluminium coloured die-cast zinc	10	404500605
Joint 45 × 90 with clamping lever, 4× hammer head nut, 4× M8 × 16 and M8 × 14 cheese head screw, 4× threaded insert	Aluminium coloured die-cast aluminium	10	404500606

Joint loads

	F1 (N)	F2 (N)
Joint 30	6,000	500
Joint 40	10,000	800
Joint 45	10,000	800
Joint 45 × 90	15,000	1,000



Max. holding torque with tightened clamping lever: 5 Nm

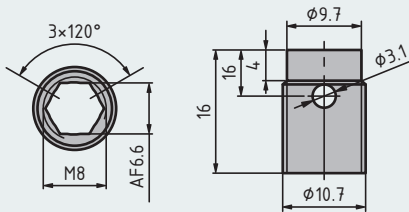
Threaded insert

Threaded insert for mounting our series 40 and 45 joints
Use the threaded insert for mounting joints **404532235**,
414500601 and **414502684** at the face ends of the aluminium
profiles.

The self-tapping S12 threads allow a non-cutting screwing into
the aluminium profile's core pulling. Use lubricating oil when
screwing in the threaded insert.

Material: Hardened steel; blue chromate coating

Note: Can also be used for the adjustable levelling foot (p 8|12)



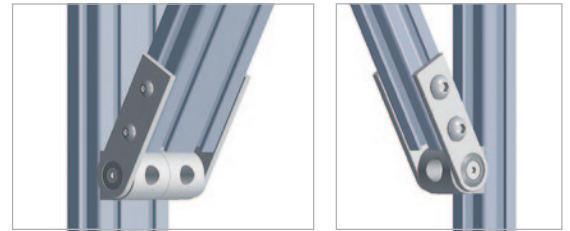
DESIGNATION	SLOT	ARTICLE NUMBER
Threaded insert S12/M8	10	414500610
M8 screwing tool		414500650

Support arm joint

Creates a pivoting connection between profile ends e.g. to build support arms.

You can use an M8 screw and threaded insert S12/M8 to mount the support arm at the face end.

Material: Aluminium coloured die-cast aluminium



Package includes (40 × 40 and 45 × 45):
mounting material

4 × M8 × 16 cheese head screw (ISO4762)

4 × M6 hammer head nut N10

1 × threaded insert M12/M8

1 × M8 × 30 cheese head screw (DIN912)

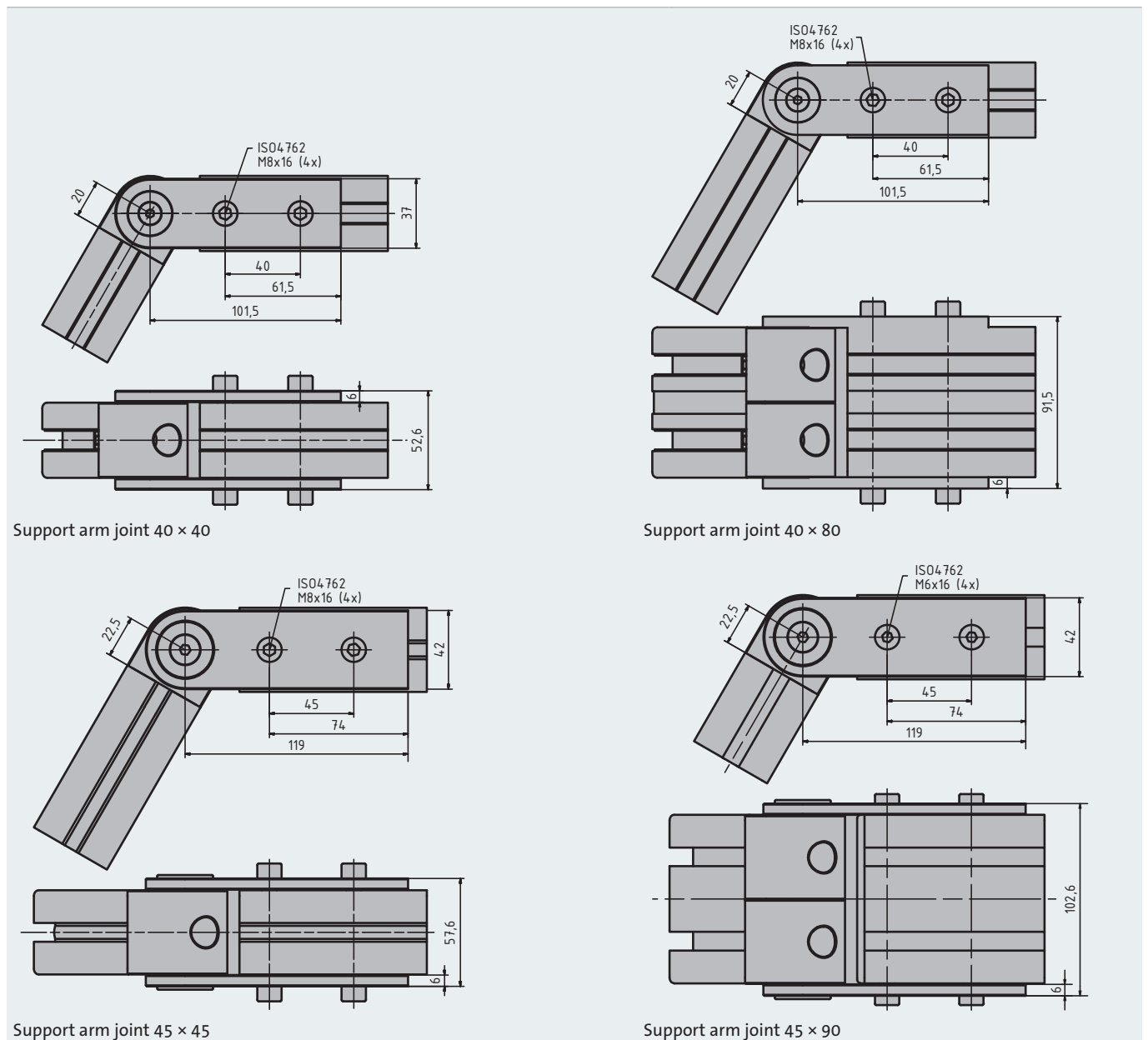
Package includes (40 × 80 and 45 × 90):
mounting material

4 × M8 × 16 cheese head screw (ISO4762)

4 × M6 hammer head nut N10

2 × threaded insert M12/M8

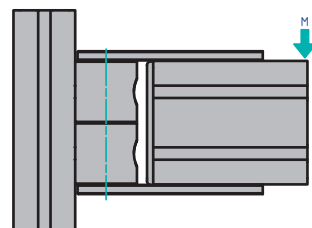
2 × M8 × 30 cheese head screw (DIN912)



DESIGNATION	SLOT	ARTICLE NUMBER
Support arm joint 40 × 40	10	414532206
Support arm joint 40 × 80	10	414532207
Support arm joint 45 × 45	10	414521263
Support arm joint 45 × 90	10	414521262

Support arm joint loads

	M (Nm)
Support arm joint 40 × 40	100
Support arm joint 40 × 80	200
Support arm joint 45 × 45	125
Support arm joint 45 × 90	130

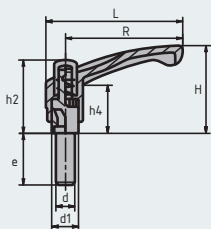


Clamping lever

Clamping element for adjustable connections.

Material: Plastic (PA), fibreglass reinforced

Required accessories: Slot nuts

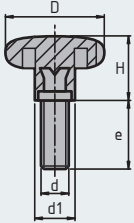


DESIGNATION	SLOT	d (mm)	e (mm)	d1 (mm)	h2 (mm)	L (mm)	R (mm)	H (mm)	h4 (mm)	ARTICLE NUMBER
Clamping lever	8 +10	M8	15	16	42	75	65	48	26	404516845
Clamping lever	8+10	M8	20	16	42	75	65	48	26	404516846
Clamping lever	8+10	M8	33	16	42	75	65	48	26	404516840
Clamping lever	8+10	M8	47	16	42	75	65	48	26	404538607

Star grip

Clamping element for adjustable connections.

Material: Duroplastic FS31 (DIN7708); black



DESIGNATION	d = (mm)	H= (mm)	D =(mm)	d1 = (mm)	e = (mm)	ARTICLE NUMBER
Star grip	M6	20	32	13	20	402516850
Star grip	M8	25	40	19	27	402516851

Pivot mount 180°



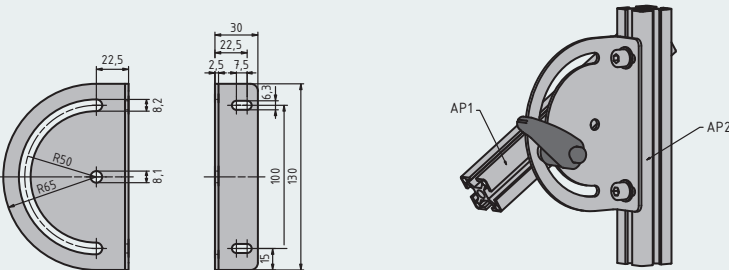
Pivot mount for shelves etc. to be tilted around $\pm 90^\circ$.

Material: Pivot mount: Galvanised steel

Clamping lever: Powder coated steel

Package includes mounting kit

Note: Clamping lever ESD-ready*



DESIGNATION	AP1	AP2	M _{MAX}	ARTICLE NUMBER
Pivot mount 180°	8	8	20 Nm	406538275
	8	10		
Pivot mount 180°	10	10	20 Nm	406538276
	10	8		

* A stainless steel clamping lever is available to ensure full ESD-readiness. Just send us your request.

DOOR FITTINGS



Page 6|2
Plastic hinge, not unHINGING



Page 6|2
UnHINGING plastic hinge



Page 6|3
Hinge with clamping lever



Page 6|4
Hinge system with catch



Page 6|5
Hinge system with adjustable friction



Page 6|6
Metal hinge



Page 6|7
Stainless steel hinge 20 x 20



Page 6|8
Adjustable aluminium hinge



Page 6|9
Folding door element



Page 6|10
Bow handle



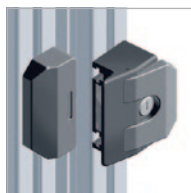
Page 6|11
Handle AL



Page 6|11
Light-duty handle AL



Page 6|11
Machine handle



Page 6|12
Door lock profile 40, 45, 50



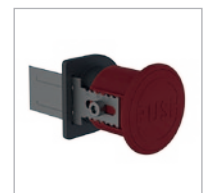
Page 6|13
Double door lock



Page 6|13
Door lock



Page 6|14
Door lock PROe



Page 6|16
Emergency opener



Page 6|16
Bar



Page 6|17
Sealing rail



Page 6|17
Ball catch



Page 6|18
Magnetic latch



Page 6|19
Suspension bracket



Page 6|19
Door latch



Page 6|20
Door stop

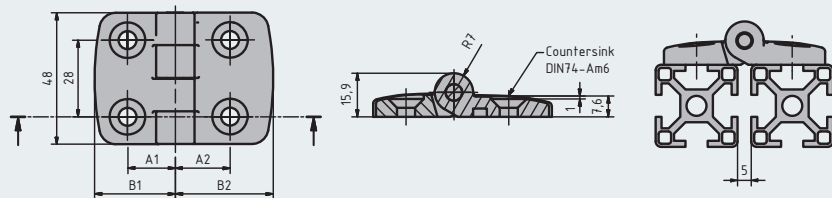
Plastic combination hinge, no unHINGING

For surface elements and aluminium profiles

Material: Wing = plastic (PA), fibreglass-reinforced

Pin = stainless steel

On-site mount: M6 × 12 or M6 × 16 countersunk screw and slot nuts at the front



DESIGNATION	A1 / A2	B1/B2	FAMAX (N)	FRMAX (N)	ARTICLE NUMBER
Plastic combination hinge 30 × 30	17.5 / 17.5 mm	29.5	450	700	402600004
Plastic combination hinge 30 × 40	17.5/22.5 mm	29.5/38.5	450	750	402600005
Plastic combination hinge 40 × 40	22.5/22.5 mm	38.5	450	750	402600002
Plastic combination hinge 45 × 45	25.0/25.0 mm	43.5/43.5	325	800	402600013

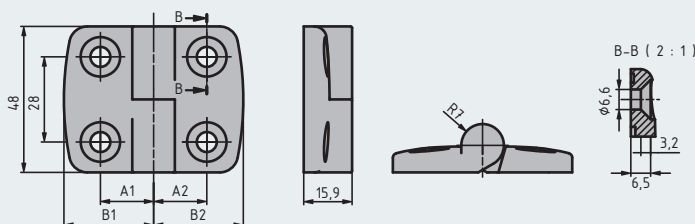
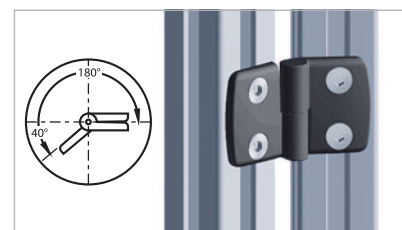
Plastic combination hinge, unHINGING

For surface elements and aluminium profiles

Material: Wing = plastic (PA), fibreglass-reinforced

Pin = stainless steel

On-site mount: M6 × 12 or M6 × 16 countersunk screw and slot nuts at the front



DESIGNATION	UNHINGING	A1 / A2	B1/B2	FAMAX (N)	FRMAX (N)	ARTICLE NUMBER
Plastic combination hinge 40 × 40	Left	22.5/22.5 mm	38.5	400	800	402600001
Plastic combination hinge 40 × 50	Left	22.5/27.5 mm	38.5/48.5	350	800	402600008
Plastic combination hinge 40 × 60	Left	22.5/32.5 mm	38.5/57.5	240	800	402600009
Plastic combination hinge 45 × 45	Left	25.0/25.0 mm	43.5/43.5	325	800	402600012
Plastic combination hinge 30 × 40	Right	17.5/22.5 mm	29.5/38.5	350	800	402600006
Plastic combination hinge 40 × 40	Right	22.5/22.5 mm	38.5	350	800	402600003
Plastic combination hinge 40 × 45	Right	22.5/25.0 mm	38.5/43.5	350	800	402600007
Plastic combination hinge 40 × 60	Right	22.5/32.5 mm	38.5/57.5	240	800	402600010
Plastic combination hinge 45 × 45	Right	25.0/25.0 mm	43.5/43.5	325	800	402600011

Combination hinge with clamping lever

For surface elements and aluminium profiles; can be locked at any point.

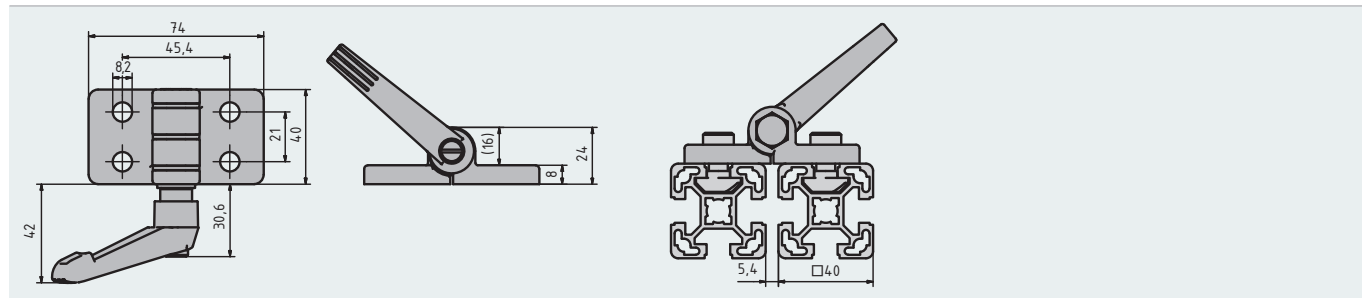
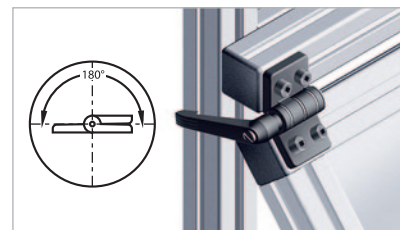
Material: Hinge: Die-cast zinc

Clamping lever: Plastic (PA), fibreglass-reinforced

Mechanism: Galvanised steel

Surface: black powder coated

On-site mount: Recommended screw: M8 × 18 (ISO4762)



DESIGNATION	A1 (mm)	A2 (mm)	FAMAX (N)	FRMAX (N)	ARTICLE NUMBER
Hinge 40 × 40	22.5	22.5	650	1500	402601300

Plastic hinge with clamping lever

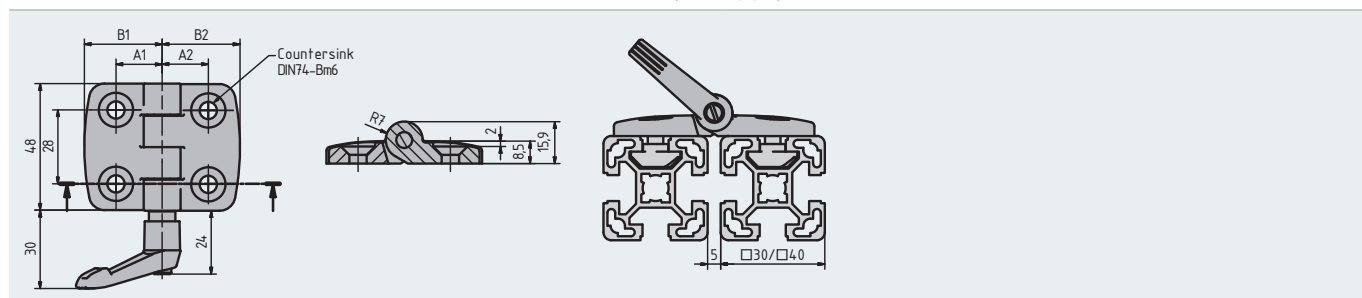
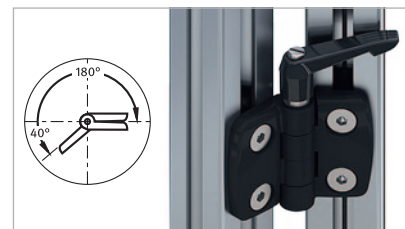
For surface elements and aluminium profiles; can be locked at any point.

Material: Hinge & clamping lever: Plastic (PA), fibreglass-reinforced

Mechanism: Galvanised steel

Surface: Hinge: black powder coated

On-site mount: Recommended screw: M6 × 16 or M6 × 14 (DIN7991)



DESIGNATION	A1 (mm)	A2 (mm)	B1 (mm)	B2 (mm)	FAMAX (N)	FRMAX (N)	ARTICLE NUMBER
Hinge 30 × 30	17.5	17.5	29.5	29.5	400	700	402601200
Hinge 40 × 40	22.5	22.5	38.5	38.5	450	750	402601201

Hinge system with adjustable friction

For surface elements and aluminium profiles; catch holds doors and flaps at any angle.

Infinitely adjustable at 0–5 Nm torque; can also be used to lift lightweight flaps.

Material: Wing = plastic (PA), fibreglass reinforced;
Pin = stainless steel

On-site mount:

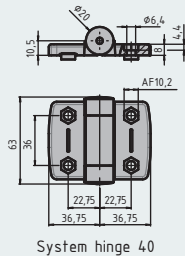
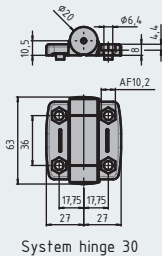
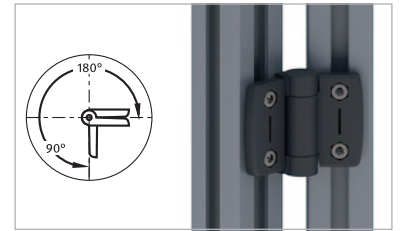
Mount, slot 8 4× M6 × 12 cheese head screw (DIN6912)

4× hammer head nut, art. no.: **482501753**

Mount, slot 10: 4× M6 × 14 cheese head screw (DIN6912)

4× hammer head nut, art. no.: **412530285**

Colour: black



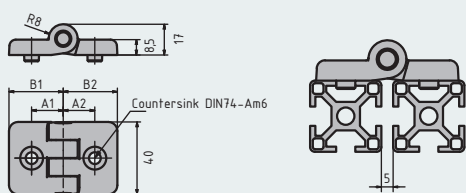
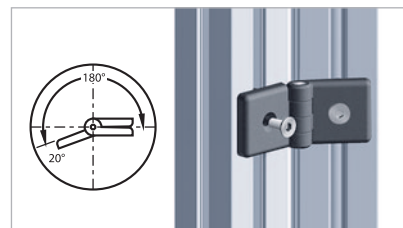
DESIGNATION	SLOT	FRICTION TORQUE (Nm)	FAMAX (N)	FRMAX (N)	ARTICLE NUMBER
Hinge system 30 with adjustable friction	8	0-5	325	400	402601180
Hinge system 40 with adjustable friction	10	0-5	425	600	402601181

Heavy-duty hinge, not unHINGING

For surface elements and aluminium profiles, each with two places for centring bolts.

Material: Wing = plastic (PA), fibreglass reinforced;
Pin = stainless steel

Mount: mounting material included



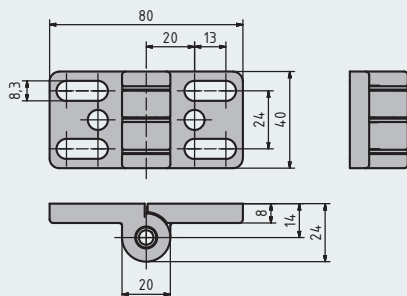
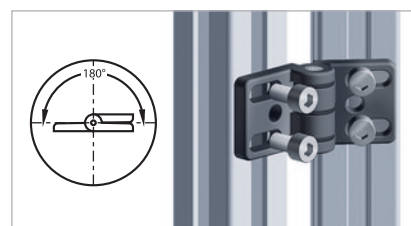
DESIGNATION	SLOT	A1 (mm)	A2 (mm)	B1 (mm)	B2 (mm)	FAMAX (N)	FRMAX (N)	ARTICLE NUMBER
Hinge 30 × 30	8	17.5	17.5	30	30	150	280	482535687
Hinge 30 × 40	8/10	17.5	22.5	30	39	150	280	402535660
Hinge 30 × 45	8/10	17.5	25	30	45	150	280	402535688
Hinge 30 × 60	8/10	17.5	32.5	30	60	130	280	402535689
Hinge 40 × 40	10	22.5	22.5	39	39	150	400	412535659
Hinge 45 × 45	10	25	25	45	45	150	280	412535745
Hinge 45 × 60	10	25	32.5	45	60	130	280	412535746
Hinge 60 × 60	10	32.5	32.5	60	60	130	280	412535747

Metal hinge

For surface elements and aluminium profiles

Mounting material On-site construction: 4× screw 402150018 &
4× hammer head nut 412536603

Material: Wing: Die-cast zinc with a black powder coat
Pin: Stainless steel



DESIGNATION	UNHINGING	FAMAX (N)	FRMAX (N)	ARTICLE NUMBER
Metal hinge 40 × 80 with oblong holes	No	500	1200	402601100

Combination aluminium hinge

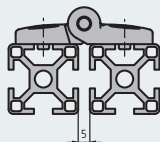
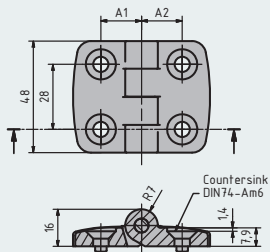
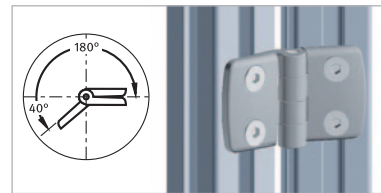


For surface elements and aluminium profiles

Material: Wing = die-cast aluminium, matt nickel-plated;

Pin = stainless steel

Mount: mounting material included



DESIGNATION	A1 / A2	FAMAX (N)	FRMAX (N)	ARTICLE NUMBER
Combination aluminium hinge 30 × 30	17.5 mm	225	325	402535640
Combination aluminium hinge 30 × 40	17.5/22.5 mm	250	400	402544528
Combination aluminium hinge 30 × 45	17.5/25 mm	250	400	402535641
Combination aluminium hinge 40 × 40	22.5 mm	250	400	402535644
Combination aluminium hinge 45 × 45	25.0 mm	250	400	402535642
Combination aluminium hinge 50 × 50	27.5 mm	250	400	402535646
Combination aluminium hinge 60 × 60	32.5 mm	250	400	402535648

Stainless steel hinge 20 × 20



Mounting on solid surface elements supported.

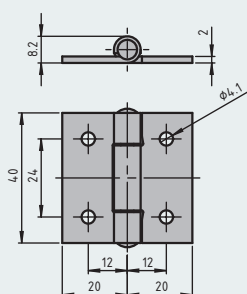
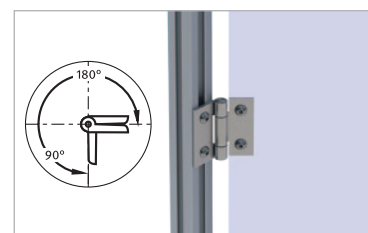
For small doors and flaps.

Stainless steel hinge for profiles with 6 mm slot.

Material: uncoated stainless steel (1.4301)

Mounting kit with M4 × 6 fillister head screw (ISO7380);

M4 hammer head nut for slot 6



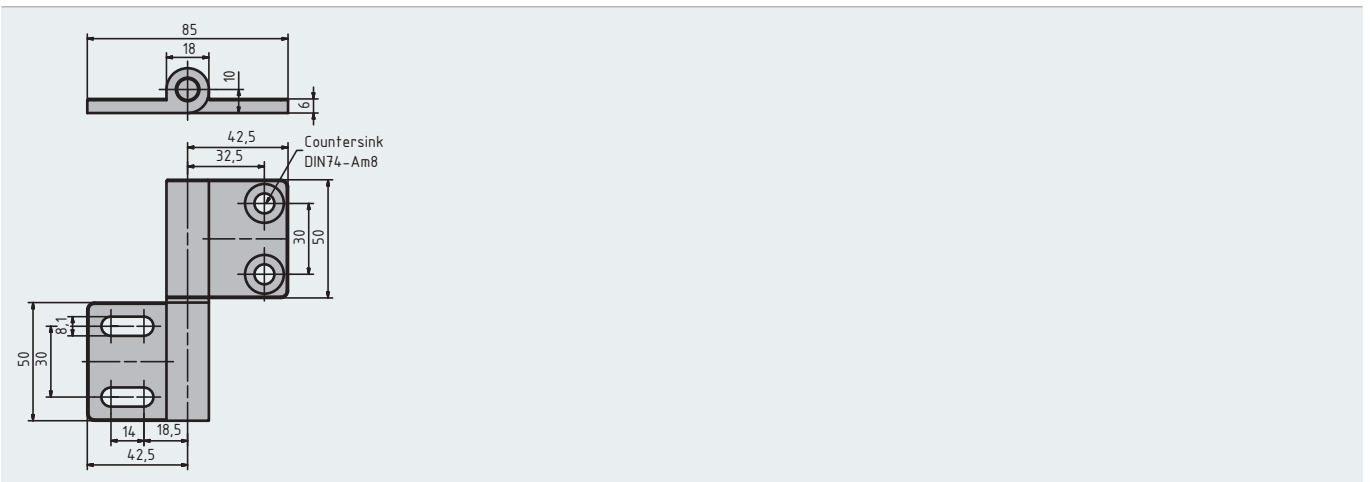
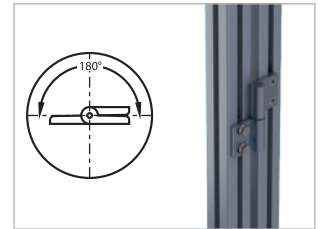
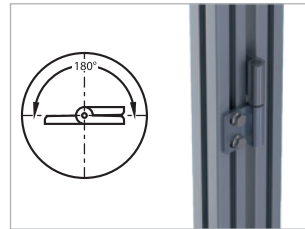
DESIGNATION	SLOT	WEIGHT (g)	FAMAX (N)	FRMAX (N)	ARTICLE NUMBER
Stainless steel hinge 20 × 20	6	45	320	390	462535684

Adjustable aluminium hinge

For building large and heavy doors.
Adjustable to make up for distance tolerances.
Unhinging.
For left and right hinge.
Opens by approx. 180°

Material: Wing: Anodised aluminium
Pin: Stainless steel

Mounting kit includes slot nuts and hex screws for slot 8 & slot 10



DESIGNATION	WEIGHT	F MAX	ARTICLE NUMBER
Adjustable aluminium hinge with mount	262.7		402544562
		300 N	

Folding door element

Supports simultaneous pivoting and sliding for the construction of folding doors of 30-type profiles.

Very long life.

Fits frame of slot 8 mm and slot 10 mm profiles.

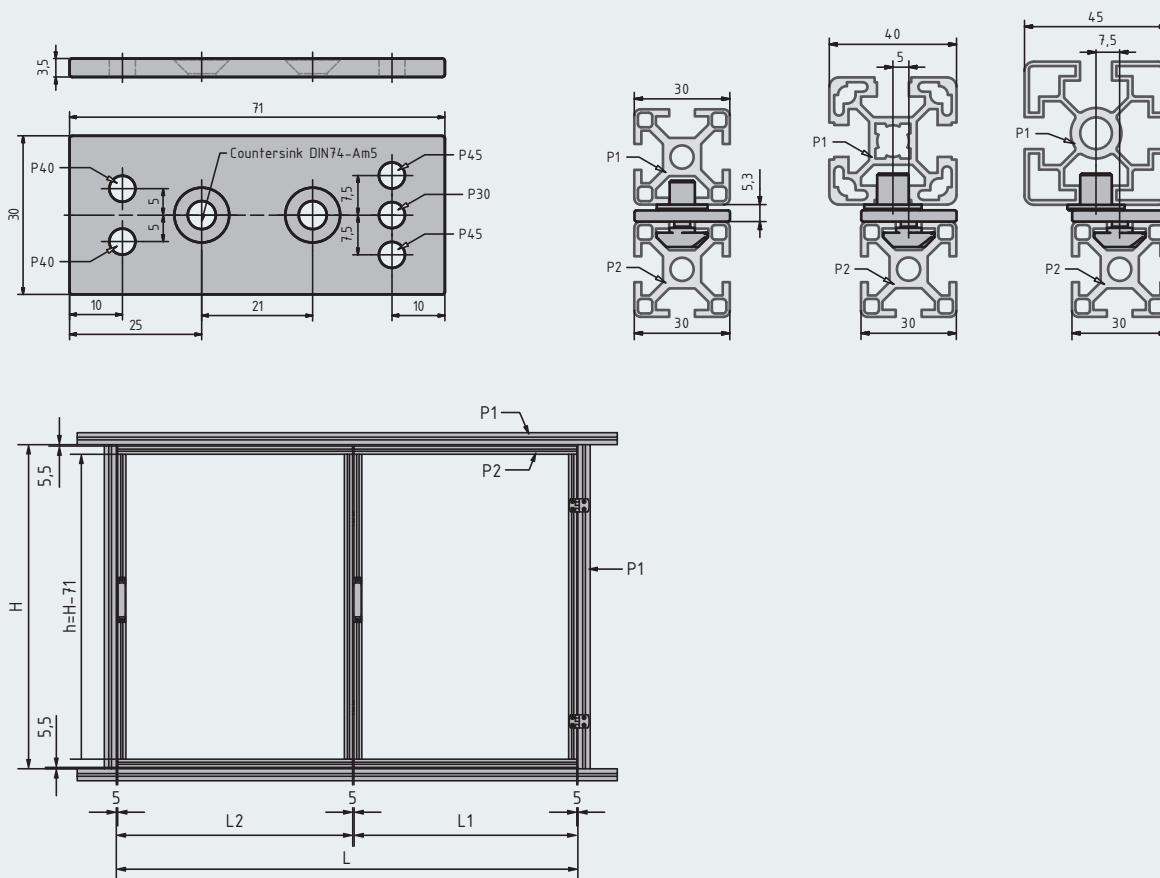
Frame and door profile are always flush (the guide ring position depends on the thickness of the frame profile).

Material: anodised die-cast zinc

Guide ring: black PA

Mounting material: Galvanised steel

Package includes mounting material



6

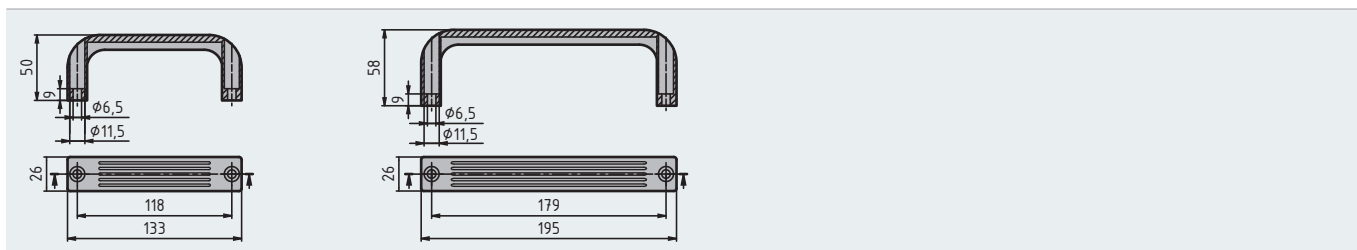
DESIGNATION	SLOT	P2 (mm)	P1 (mm)	L1 (mm)	L2 (mm)	M	ARTICLE NUMBER
Folding door element	8+10	30 × 30	45 × 45	0.5L-29.5	0.5L+14.5	20 N	402516715
			40 × 40	0.5L-28.3	0.5L+13.3		
			30 × 30	0.5L-25.8	0.5L+10.8		

Bow handle

Its sturdy design absorbs high forces.
Use a clamping element to fasten it to the profile slot or a wave grid.
Suitable for use in ESD environments.

Material: black PA

On-site mount



DESIGNATION	DIMENSIONS (mm)	ESD-READY	ARTICLE NUMBER
Bow handle	26 × 133 × 50	—	402525480
Bow handle	26 × 133 × 50		402525481
Bow handle	26 × 195 × 58	—	402525766
Bow handle	26 × 195 × 58		402525767

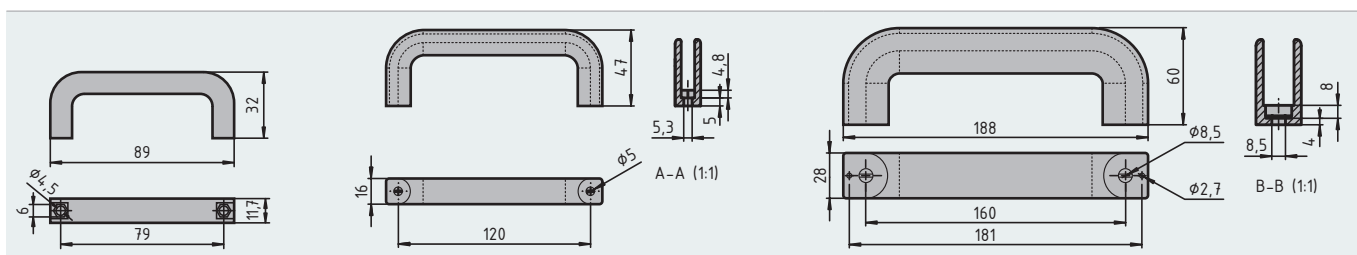
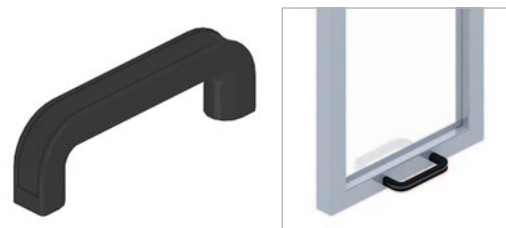
Handle

Mounts on doors, flaps and aluminium profiles.

Material: plastic (PA), glass bead-reinforced

Colour: black (ask for other colours)

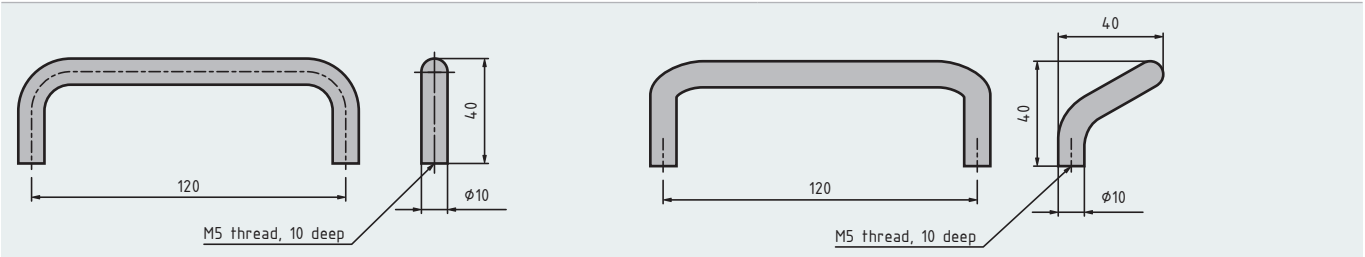
On-site mount: by hexagon socket screws at the front and screws at the back; cap: Clips on to the handle



DESIGNATION	ARTICLE NUMBER
Handle PA 80	402750014
Handle PA 120	402750010
Cap for handle PA120	402750011
Handle PA 160	402750012
Cap for handle PA160	402750013

Handle AL

Stable aluminium handles
Use the bent variant to minimise the risk of crushing.
For sliding and swing doors



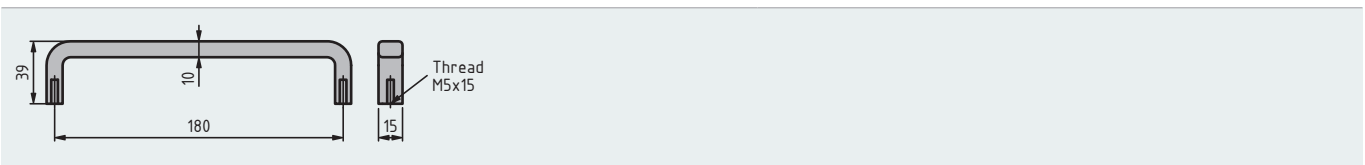
DESIGNATION	ARTICLE NUMBER
Handle AL120	402750100
Handle AL120, bent	402750101
Mounting kit for handle AL120, 2 lugs 120 GD-ZN, 2 M5 × 10 countersunk screws (DIN7991)	402750102

Light-duty handle AL

Slim aluminium handle
For general use.

Material: Anodised aluminium

On-site mount: concealed M5 screws at the back



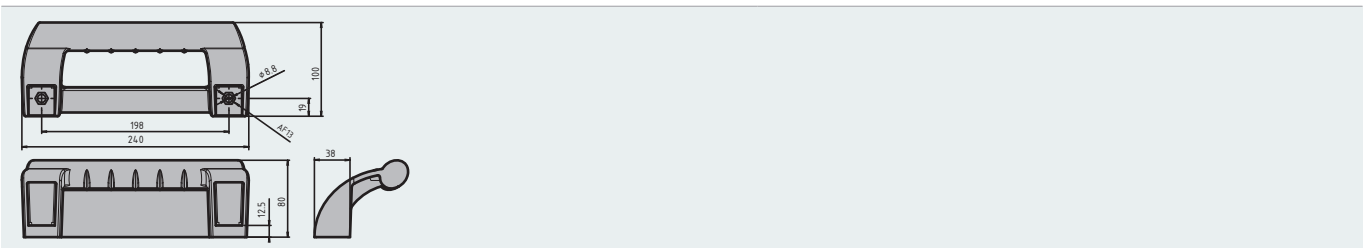
DESIGNATION	ARTICLE NUMBER
Light-duty handle AL	402651100

Machine handle

Ergonomic shape and safety shield; mounts on doors, flaps and aluminium profiles.

Material: Plastic (PA), glass bead-reinforced

On-site mount



DESIGNATION	ARTICLE NUMBER
Machine handle 240, PA, A = 198, with caps for M8 screw	402651001

Door lock for profiles 40, 45 and 50

Easily and reliably locks doors and flaps.

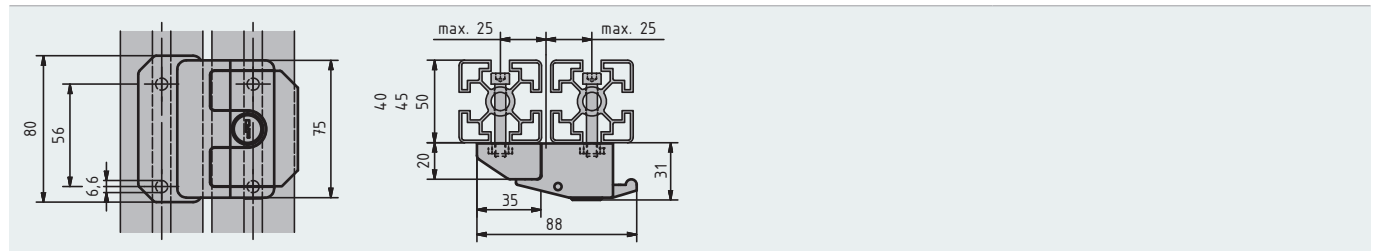
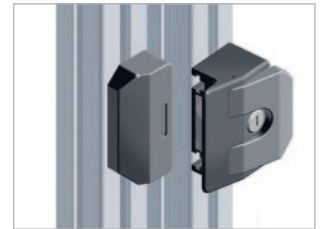
Use the integrated ergonomic handle to open.

The keyed alike variant always uses the same key.

The keys for the individually keyed variant are chosen at random (every lock has a different key).

Closes smoothly.

Profile machining: D6.6 hole



DESIGNATION	SLOT	ARTICLE NUMBER
Door lock, keyed alike, black powder coated	10	405530352
Door lock, w/o lock, w/ dummy plug, black	10	405530300
Door lock, individually keyed, black powder coated	10	405530353

Compact door lock

Easily and reliably locks doors and flaps.

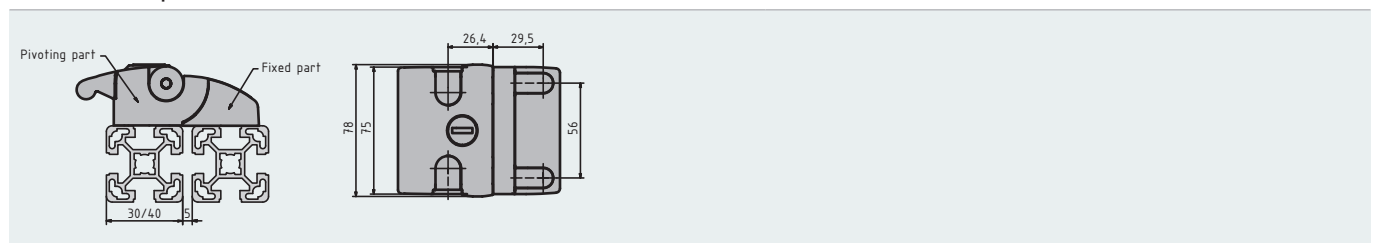
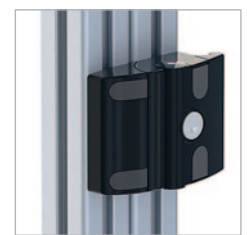
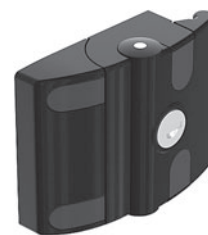
Installs without drilling or other mechanical means.

Secured against disassembly when closed.

Material: die-cast aluminium

Surface: black powder coated

Extras: Upon request, the door locks are available with aluminium coloured powder coat.



DESIGNATION	SLOT	ARTICLE NUMBER
Keyed alike compact door lock	8 and 10	405530301
Individually keyed compact door lock	8 and 10	405530303

Compact double door lock

Easily and reliably locks doors and flaps. Installs without mechanical means; secured against disassembly when closed.

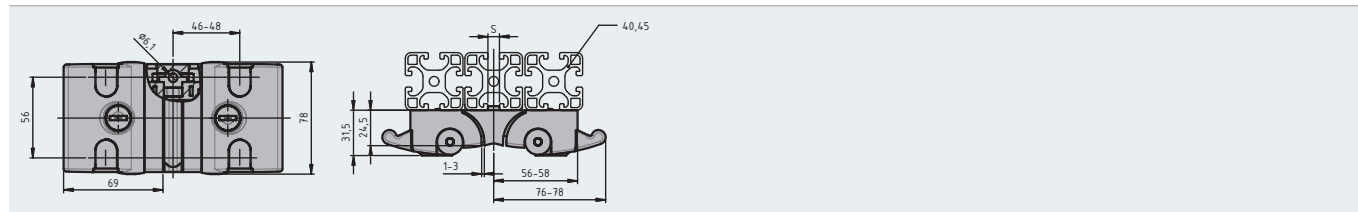
Selective access by using a single post.

With separate slot fasteners for slot 8 and slot 10

Material: Die-cast aluminium

Surface: black powder coated

Mount: by M6 cheese head or fillister head screw at the front



DESIGNATION	SLOT	Lock (*)	WEIGHT (g)	ARTICLE NUMBER
Compact double door lock	8 / 10	alike	448.0	405530304
Compact double door lock	8 / 10	individual	448.0	405530305

* alike (identical keys for all locks)
individual (separate key for every door lock)

Combinations of matching size					
Posts	C =	40	45	50	60
Door frames	D1 D2=	30/40/45	30/40/45	30/40/45	30

Door lock

For easily and reliably locking swing and sliding doors; mounts without mechanical machining.

Fits profiles 45 × 45 and 30 × 30.

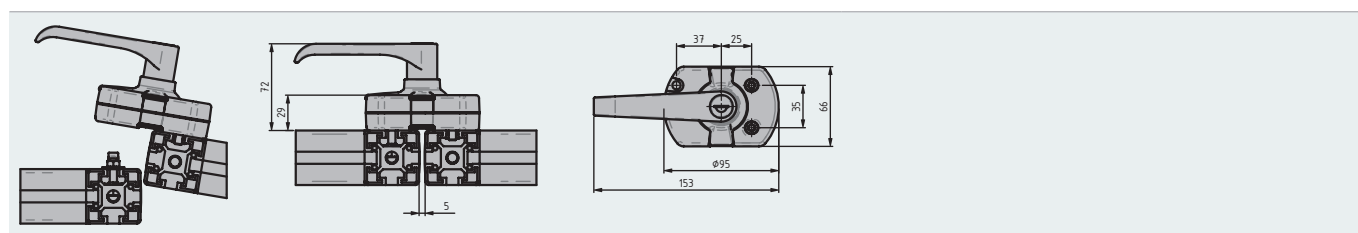
Keyed alike: every lock has the same key

Individually keyed: every lock has its own key

Material: Aluminium coloured die-cast aluminium

Door handle: black PA

Mounting material: Galvanised steel



DESIGNATION	Lock	WEIGHT (g)	ARTICLE NUMBER
Door lock	Individual	407.0	402525821
Door lock	Alike	407.0	402825822
Door lock	Double-bit lock	407.0	402525823

Door lock PROe

Everything in hand. Door lock PROe with safety function.

Secures safety doors and flaps up to Cat. 4/PLe.

Fashionable, systematic design

Perfect choice for aluminium profiles

PROe is a multifunctional door handle which secures and monitors guards such as doors and flaps of machines and systems.

It consists of a handle and a locking module fitted with the tried and tested transponder-coded CES safety equipment supplied by EUCHNER. Using the transponder technology ensures a top safety level in conformity with EN ISO 13849-1

(Cat.4/PLe) and demands that everything is absolutely manipulation-proof.

The on-board CES AR data processor supports up to 20 PROe units connected in series.

PROe features two obviously placed LEDs for status indication and fast diagnosis. Its compact and symmetrical design makes mounting on profiles easy and supports the use on doors hinged either on the left or right. The industry-standard metal housing has a stable door stop and is perfectly fit for use in rugged environments.

An M12 connector ensures convenience of hooking up.

Turn it by 180° to accommodate for differently routed cables. A lock protects PROe against being opened unintentionally.

Your benefits:

Easy and flexible installation without mechanical effort

Lock for protection against unintended machine standstill

Sturdy metal housing for rugged ambient conditions

On-board transponder-coded safety equipment for top-level safety (Cat.4/PLe)



Door lock PROe

Easily and reliably locks doors and flaps; installs without mechanical effort; secured against disassembly when closed.

Eight-pin M12 connector for doors hinged on the left or right; connector outlet at the top or bottom;

24 V system voltage;

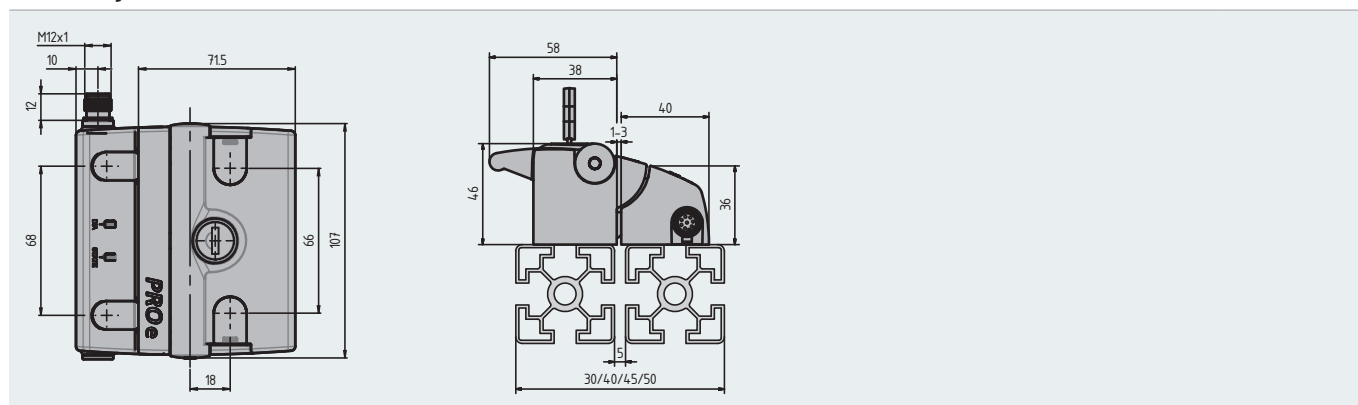
UL-certified; tested to B6;

safety category 4/PIe

Material: Die-cast aluminium

Surface: black powder coated

Mount: by M6 cheese head or fillister head screw at the front



DESIGNATION	LOCK	WEIGHT (g)	ARTICLE NUMBER
Door lock PROe unicode	Alike	380.0	405530450

Matching connector hardware:

DESIGNATION	DESIGN	ARTICLE NUMBER
Short-circuit plug	M12, 4-pin, male	405530400
M12 Y junction with connecting lead	M12, 1 × 8-pin; 2 × 5-pin	405530401
Y junction	M12, 1 × 8-pin; 2 × 5-pin	405530402
PVC connecting lead; 8-pin; open-ended cable	M12; 5 m	405530403
PVC connecting lead; 8-pin; open-ended cable	M12; 10 m	405530404
PVC connecting lead; 8-pin; open-ended cable	M12; 20 m	405530405

Emergency opener, compact door lock and door lock PROe

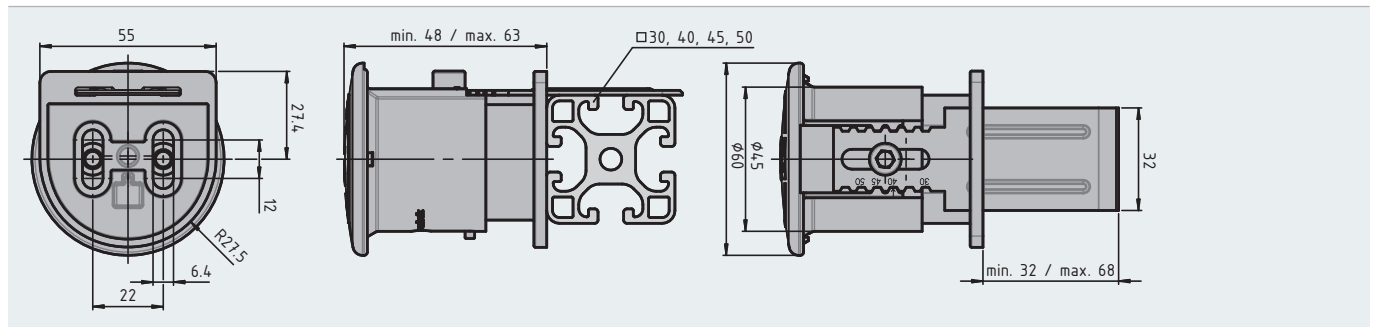
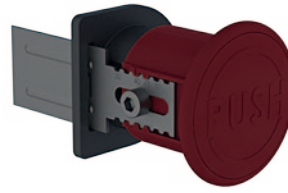
Emergency release at the back of the Compact catch lock.

Matches profiles 30,40,45 and 50

Material: Base body and push-button: Plastic (PA6),
fibreglass-reinforced
Unlocking bar: Steel

Colour: Base body: black
Push-button: red

Mount: by two M6 × 20 cheese head screws
(DIN 912) at the front

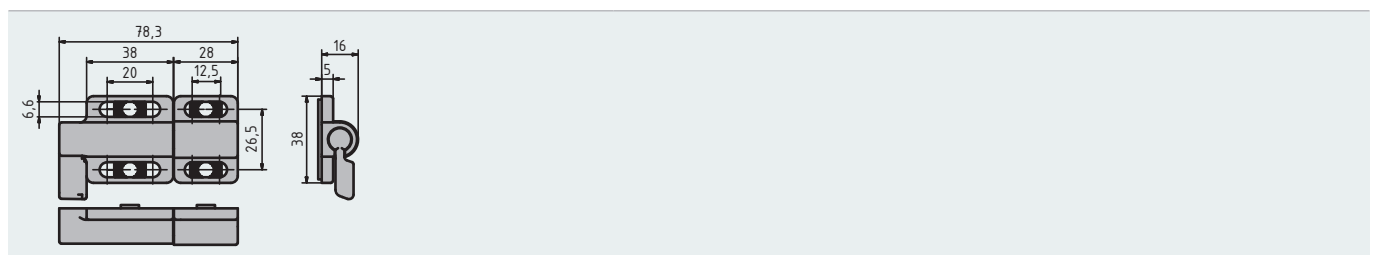


DESIGNATION	WEIGHT (g)	ARTICLE NUMBER
Emergency compact door lock opener	110.8	405530302

Latch

Easily locks doors and flaps; with spring-assisted locking pin; separate slot locking included.

Material: Latch: Aluminium coloured die-cast zinc
Handle: plastic (PA)

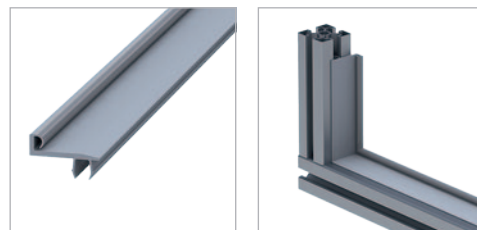


DESIGNATION	ARTICLE NUMBER
Latch, 66 × 38 mm	405530002

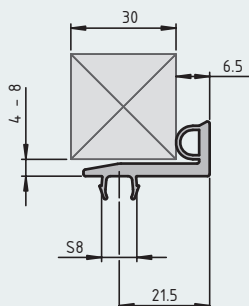
Sealing rail

Seals doors with its elastic lip seal.
 Clips into the slot.
 Opaque elastic lip seal covers the door gap.
 Hinge for swing doors.
 For flush-fitting doors.

Material: PVC/TPE, light grey (RAL7035)



Slot 8



DESIGNATION	SLOT	LENGTH (mm)	ARTICLE NUMBER
Sealing rail 30/30	8	2000	482543412

Double ball latch

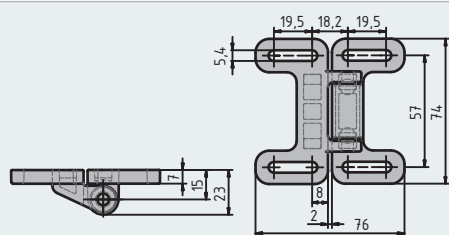


Quick-acting lock for framed or unframed doors and flaps.
 For framed or unframed sliding or swing doors.
 Oblong hole makes up for spaces.
 Can be used under clean-room conditions.

Material: Housing: Plastic (PA), fibreglass-reinforced

Ball: stainless steel

Socket: Galvanised steel



DESIGNATION	ARTICLE NUMBER
Double ball latch	402524986

Magnetic latch

The magnetic latch prevents doors and flaps from rattling or being opened unintentionally.

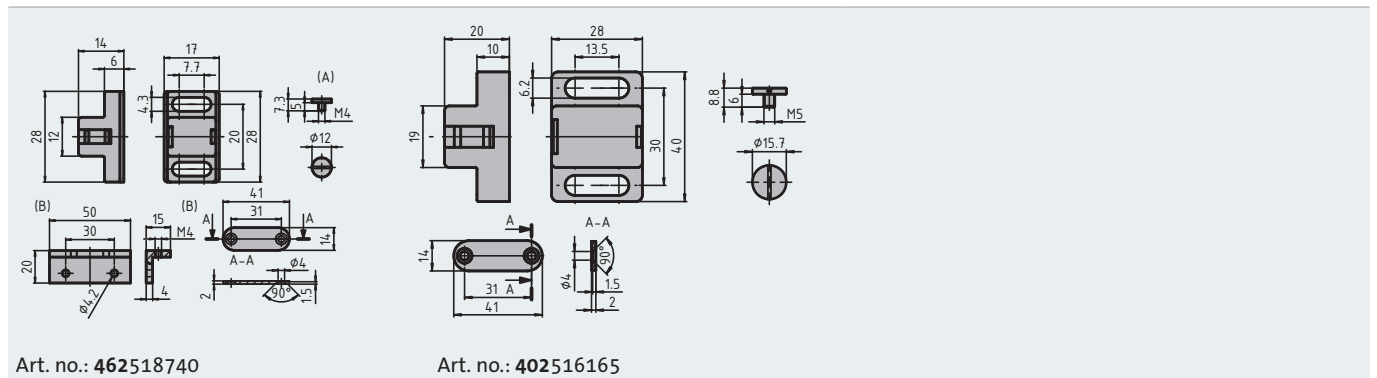
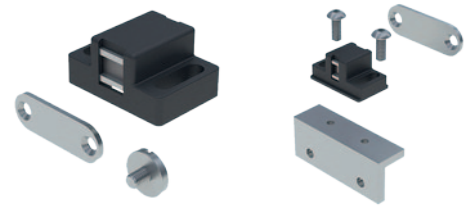
Oblong holes adapt the latch to surface elements of different thickness.

Accessories: cheese head screw (ISO4762), washer, hammer head nut

Material: Magnetic catch: black plastic (PA), fibreglass-reinforced

Mounting kit: steel

Bracket: Aluminium



Art. no.: 462518740

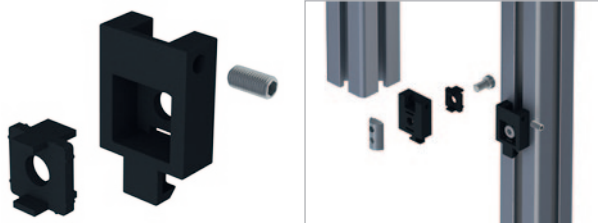
Art. no.: 402516165

DESIGNATION	SLOT	LOCKING FORCE	ARTICLE NUMBER
Magnetic latch	6	approx. 5 N (front) / 3 N (back)	462518740
Magnetic latch	8+10	approx. 20 N (front) / 10 N (back)	402516165

Suspension bracket slot 8

Creates a particularly rigid link between frame elements and upright profiles.

Material: Die-cast zinc



Hook in from above

Grub screw DIN913 M5x10

Hook in from below

Grub screw DIN913 M5x10

Variant 1:
You can mount the suspension bracket such that you can hook in the frame from above (fastened by the grub screw).

Variant 2:
You can mount the suspension bracket such that you can hook in the frame from below (fastened by the grub screw). Loosening the grub screw will make the frame fall down.

DESIGNATION	SLOT	F1 =	F2 =	ARTICLE NUMBER
Suspension bracket	8	 700 N	 250 N	404615600

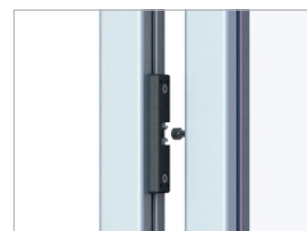
Door latch

Low-profile door latch for use in the gap of swing doors. Its low height allows you to narrow down the door gap to 12 mm.

The door latch snaps onto the head of a M6 cheese head screw (DIN912) which screws into a slot nut and, together with the slot nut, into the bottom of the opposite slot.

Matches slots 6 & 8

Material: Door latch; die-cast zinc
Cover plate: Black plastic (PA)



DESIGNATION	SLOT	ARTICLE NUMBER
Door latch and cover plate	6 & 8	405530100

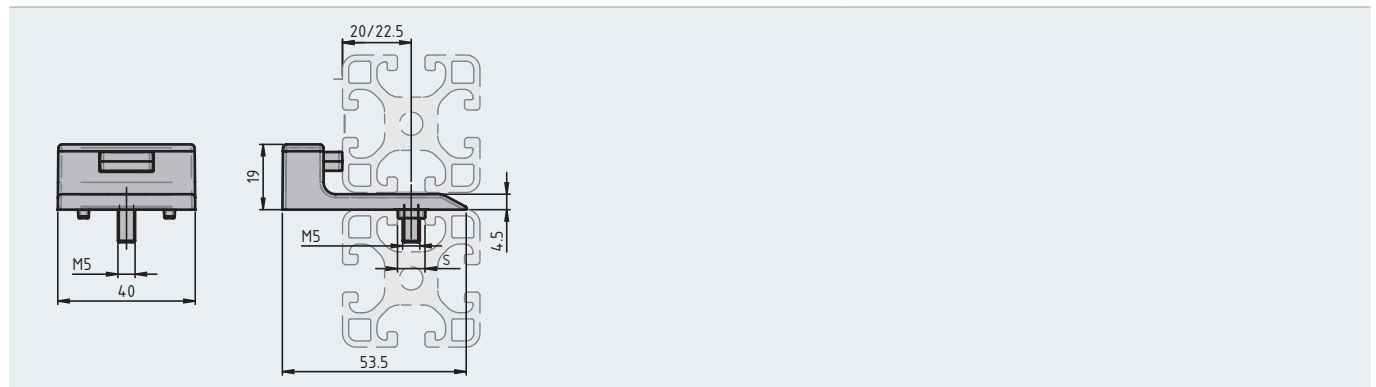
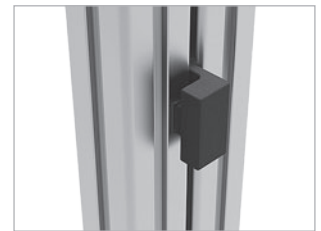
Door stop

The stop angle ensures that framed doors can be locked without scratching or damaging the aluminium profiles.

The stop angle mounts on the door case and, together with the wedge and end stop, limit the movement.

When designing your door, consider that door stop 8 is 4.5 mm thick.

Material: Black plastic (PA6)



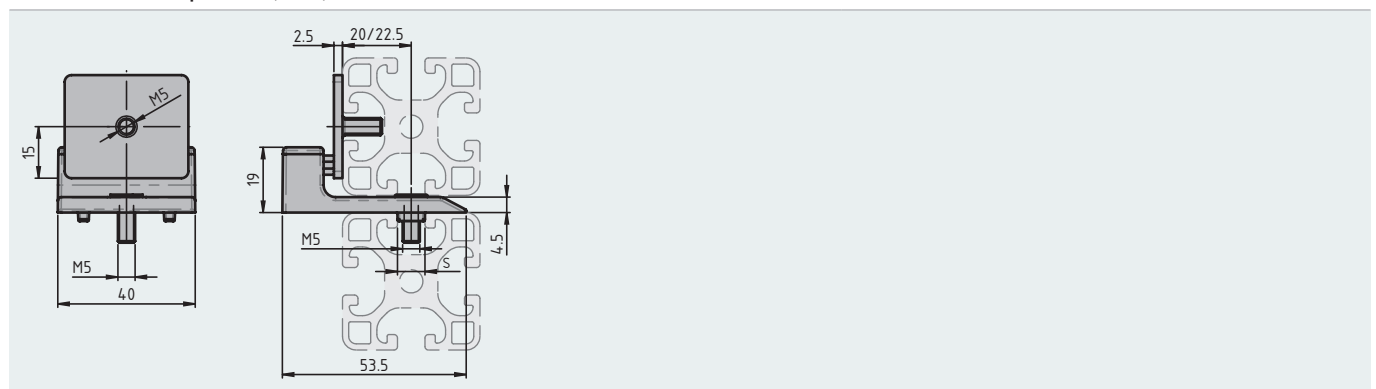
DESIGNATION	SLOT	ARTICLE NUMBER
Door stop with rubber pad, M5 × 14 countersunk screw (DIN79941)	10	402350400

Magnetic door stop

The magnetic stop mounts on the door slot and makes up a stop and an abutting wedge. After swinging in the door against the stop angle, the magnetic latch will hold it in place.

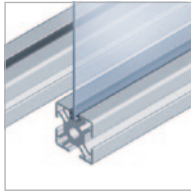
If profiles with closed slots are used, remember that you must remove the cover to install the slot nut and the anti-twist device.

Material: Black plastic (PA6)



DESIGNATION	SLOT	ARTICLE NUMBER
Magnetic door stop with retaining plate and M5 × 14 countersunk screw	10	402350401

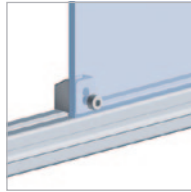
SURFACE ELEMENTS AND LININGS



Page 7|2
Cover and lining profiles



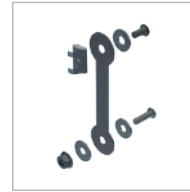
Page 7|3
Variofix block



Page 7|4
Universal pad



Page 7|5
Clamping pad



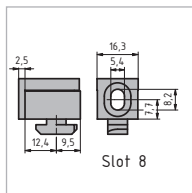
Page 7|5
Equipotential bonding



Page 7|6
Panel bracket



Page 7|6
Strip brush



Page 7|7
Variofix block S



Page 7|8
Bracket S



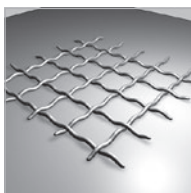
Page 7|9
Quick-acting cable duct opener



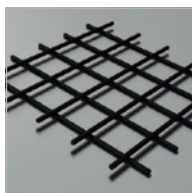
Page 7|9
Circlip



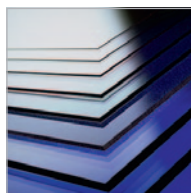
Page 7|10
Spring clamp element



Page 7|10
Wave grid



Page 7|11
Spot-welded grid



Page 7|11
Polycarbonate



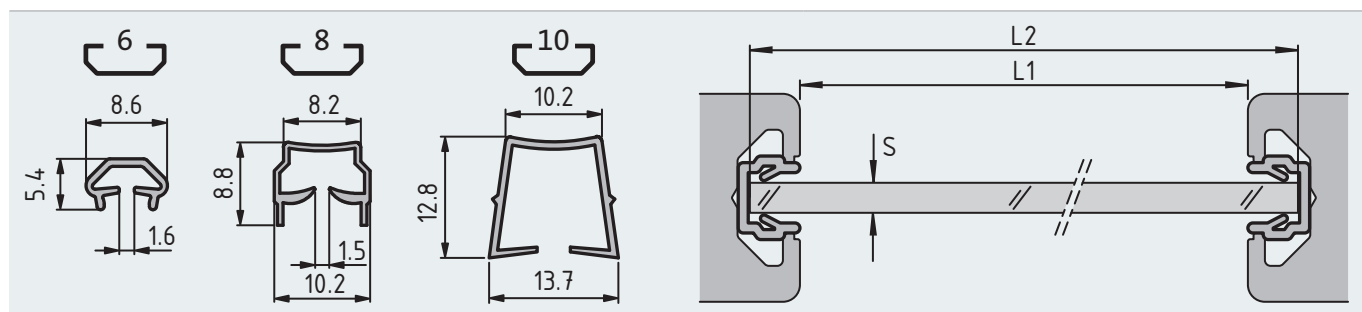
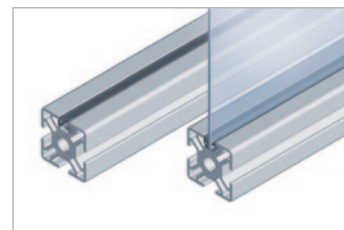
Page 7|12
Rubber mat

Cover and lining profile

For covering slots and lining surface elements.
Clearance-free installation of surface elements up to 6 mm thick along the slot.

Material: Plastic (PP & TPE)

Colour: black (RAL9005)



DESIGNATION	SLOT	S =	L =	L2	ARTICLE NUMBER
Cover and lining profile	6	1-4 mm	2000 mm	L1 + 7.7	461518343
Cover and lining profile	8	2-6 mm	2000 mm	L1 + 14.4	481518347
Cover and lining profile	10	2-6 mm	2000 mm	L1 + 21.4	411518351
	10L			L1 + 24.4	

Aluminium profiles 50 × 50L, 50 × 100L and 100 × 100L have the same size allowance as slot 10.

PVC guard plate profile

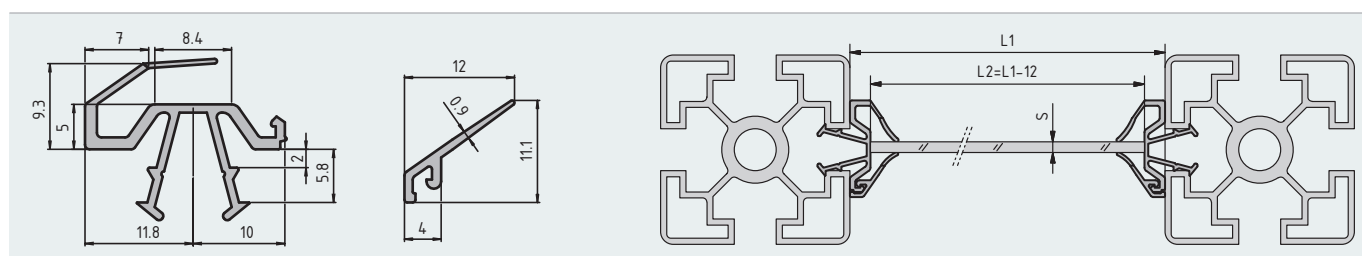
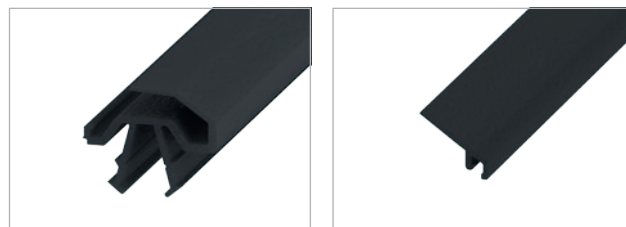
Fastens surface elements 1.5 – 8.0 mm thick without play.
Can be used for later installation in closed frame constructions.

Install the surface elements at the centre of the slot.

A guard plate profile comprises the base profile and the clip-on section.

Lip seals seal the workspace against splash water.

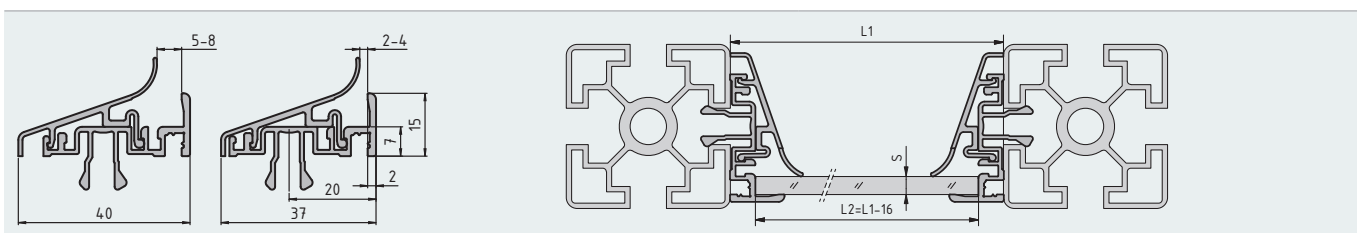
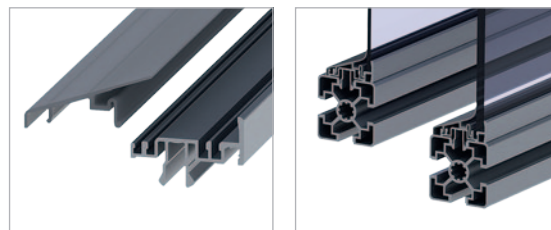
Material: PVC, black



DESIGNATION	SLOT	S (mm)	L (mm)	ARTICLE NUMBER
Guard plate profile, base profile	8 & 10	1.5 - 8	2000	3842519565
Guard plate profile, clip-on section	8 & 10	1.5 - 8	2000	3842519567

Clean-room guard plate profile

Fastens surface element without play.
 Use for surface elements 2 - 8 mm thick.
 Can be used for later installation in closed frame constructions.
 Surface elements install flush with the profile edge.
 Can be used under clean-room conditions.

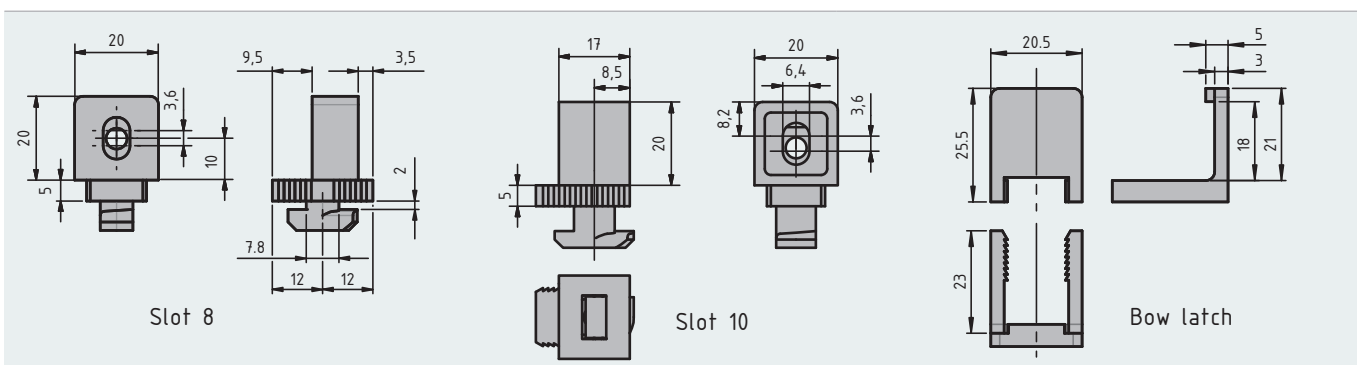
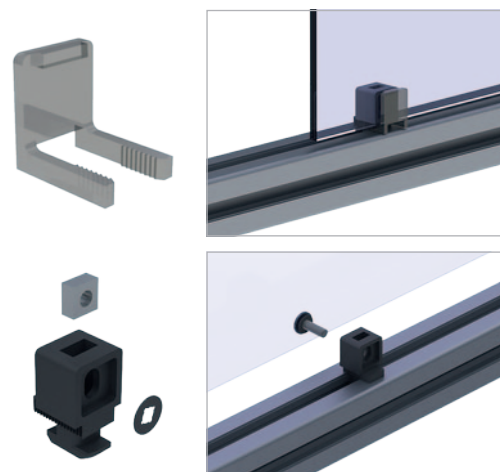


DESIGNATION	SLOT	s (mm)	L (mm)	Material	ARTICLE NUMBER
Base profile	10	2....8	2000	Anodised aluminium	412524027
Clip-on section	10	2....8	2000	Plastic (PP/TPE), light grey (RAL7035)	412524028

Variofix block

Use for surface elements up to 13 mm thick.
 Can be used for later installation in closed frame constructions.
 Its asymmetrical shape allows surface elements to be installed at two different positions.
 Clamped by bow latch or screwed by M6 square nut (included) and a screw
 A circlip links the screw with the surface element (Machinery Directive 2006/42/EC)

Material: Variofix block: PA
 Square nut: galvanised steel
 Bow latch: PA; transparent



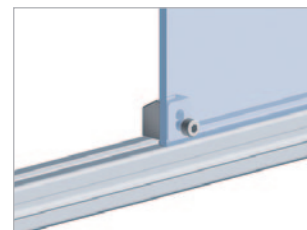
DESIGNATION	SLOT	COLOUR	ARTICLE NUMBER
Variofix block and square nut	8	black	482535696
Variofix block and square nut	8	signal grey (RAL7004)	482548832
Variofix block, M6 square nut and M6 circlip	10	black	412529239
Variofix block, M6 square nut and M6 circlip	10	signal grey (RAL7004)	412548834
Bow latch			3842184738

Universal pad

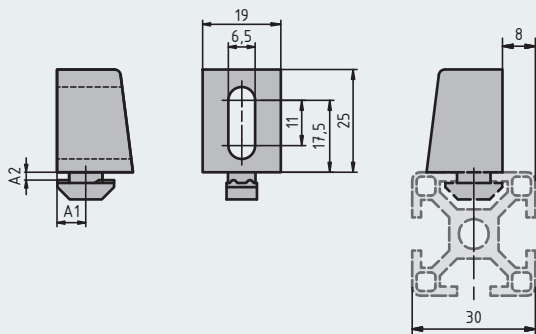
Fastening surface elements to aluminium profiles made easy.

Material: Pad: plastic (PA), fibreglass-reinforced

Nut: Galvanised steel

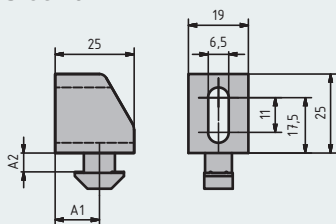


Slot 8



DESIGNATION	SLOT	MATERIAL	A2=	A1=	ARTICLE NUMBER
Universal pad (slot 8) with M6 square nut	8	Plastic	1.9 mm	7 mm	484615100

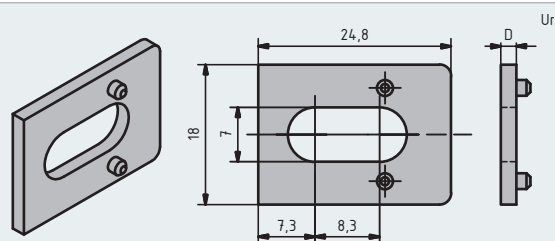
Slot 10



DESIGNATION	SLOT	MATERIAL	A2=	A1=	ARTICLE NUMBER
Universal pad (slot 10) with M6 square nut	10	Plastic	5.7 mm	8.5 mm	414615101
Universal pad (slot 10) with M6 square nut	10	Plastic	6.0 mm	14.0 mm	414615102

Spacer D for universal pad

For offsetting the surface elements



DESIGNATION	MATERIAL	D	ARTICLE NUMBER
Spacer	Plastic	2	404615103
Spacer	Plastic	3	404615104
Spacer	Plastic	5	404615105

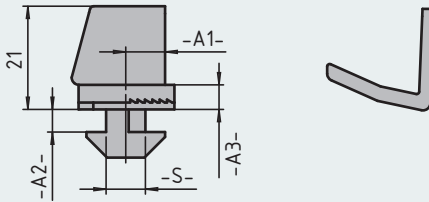
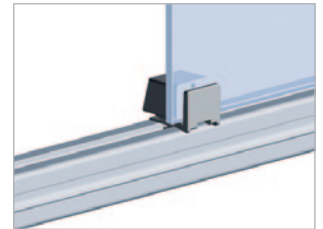
Clamping pad

For fastening surface elements to aluminium profiles without tools.

Material: Plastic (PA), fibreglass-reinforced

Colour: black

Clamping width: 1-9 mm surface elements



DESIGNATION	SLOT	MATERIAL	A2=	A1=	A3=	ARTICLE NUMBER
Clamping pad	8	Plastic	2.2 mm	7.0 mm	5.0 mm	484615200
Clamping pad	10	Plastic	5.8 mm	14.0 mm	5.0 mm	414615201

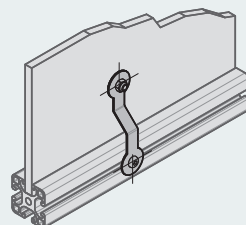
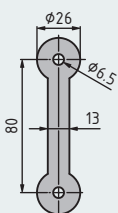
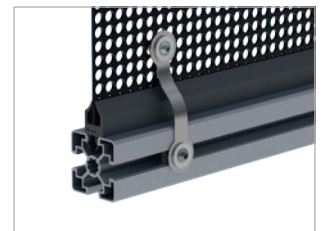
Equipotential bonding

Creates a conductive link between surface elements and brace profiles.

Material: Stainless strip steel

Mounting material: Galvanised steel

Package includes mounting material



DESIGNATION	SLOT	ARTICLE NUMBER
Conductive equipotential bonding	10	412536148

Panel bracket

Fastens the surface element on the profile without further changes.

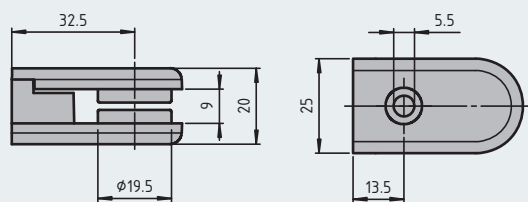
Tightening the clamping screw fastens the collet to both the surface element and the profile.

Do not use for grids or wave grids.

For 2-9 mm surface elements

Material: Die-cast zinc, aluminium coloured powder coat

Set: 1 panel bracket, M5 × 16 screw,
5 rubber pads for 2–9 mm plates



DESIGNATION

Panel bracket

ARTICLE NUMBER

404615500

Black strip brush

Seals, carries, cleans, guides and fastens.

Bridges a door gap to keep out flowing air, dust and noise.

Reduces vibrations.

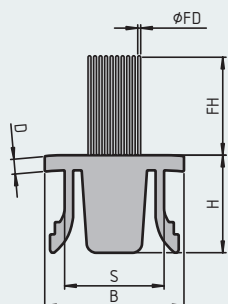
Length: 1000 mm

Material: Body: plastic (ABS)

Fibres: plastic (PA6)

Colour: black

Mount: Simply press-fit into the slot



DESIGNATION	SLOT	FH(mm)	ØFD(mm)	B (mm)	H (mm)	D (mm)	WEIGHT	ARTICLE NUMBER
Strip brush	8	10	0.2	12.0	8.5	1.5	94.0	482100200
Strip brush	8	40	0.2	12.0	8.5	1.5	139.0	482100201
Strip brush	10	10	0.2	14.0	9.8	1.5	110.0	412100202
Strip brush	10	40	0.2	14.0	9.8	1.5	170.0	412100203

Variofix block S

Fastens surface elements almost without play.

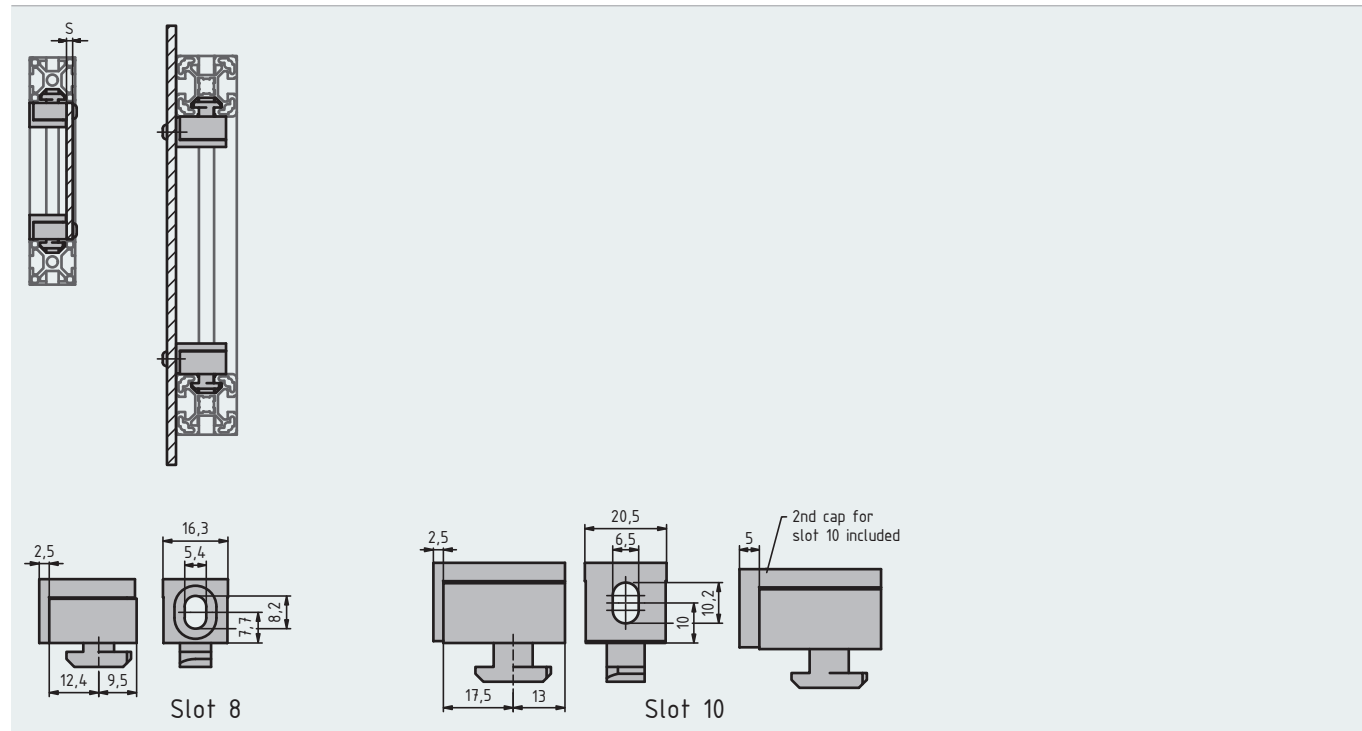
Can be used for later installation in closed frame constructions.

Its asymmetrical shape and the cap allow surface elements to be installed at different positions: flush with the profile edge or in front of the profile.

A circlip links the screw with the surface element (Machinery Directive 2006/42/EC).

Material: PA; square nut: galvanised steel

Required accessories: Screw for fastening the surface element



DESIGNATION	SLOT	THREAD	COLOUR	ARTICLE NUMBER
Variofix block S	8	M5	black	482536494
Variofix block S	8	M5	signal grey (RAL7004)	482548838
Variofix block S	10	M5	black	412536495
Variofix block S	10	M5	signal grey (RAL7004)	412548840

Bracket S



Bracket with thread for installing surface elements almost without play.

Can be used for later installation in closed frame constructions.

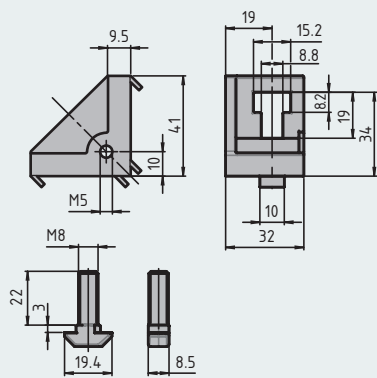
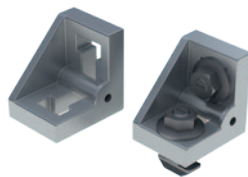
The surface element can be installed in various positions: flush with the profile edge or in front of the profile (by breaking off the centring lug)

Required accessories: Screw for fastening the surface element

Optional accessories: Variofix block; circlip

Material: die-cast aluminium

Mounting material: Galvanised steel



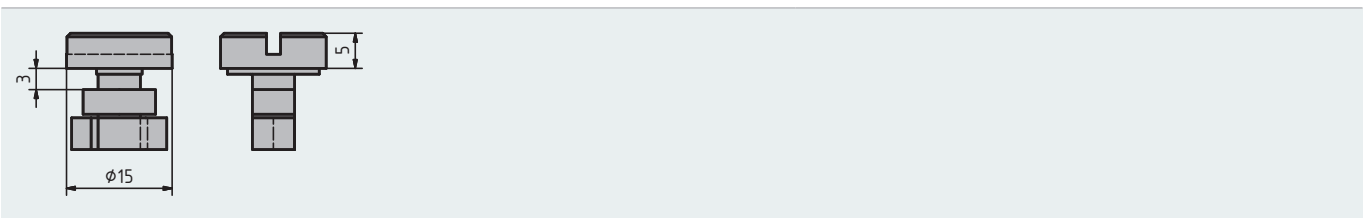
DESIGNATION	SLOT	F _{MAX}	M _{MAX}	ARTICLE NUMBER
Bracket S 40/45	10	1250 N	35 Nm	412536491
Bracket S 40/45 set including screws and nuts	10	1250 N	35 Nm	412536672

Quick-acting opener

For fastening standard cable ducts.

Material: Plastic (PA), fibreglass-reinforced

Colour: black



DESIGNATION	SLOT	ARTICLE NUMBER
Quick-acting opener	10	412146920

Circlip

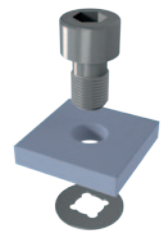
The clip prevents the screw from being lost in the surface element.

Retrofittable.

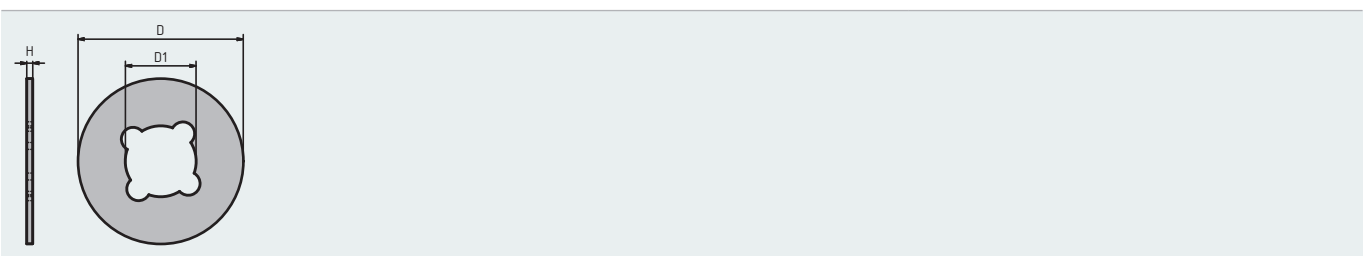
For various threads.

Material: plastic (PA)

Colour: natural colour



7



DESIGNATION	THREAD	D (mm)	D1 (mm)	h (mm)	ARTICLE NUMBER
Circlip	M5	10	4.1	0.5	404542329
Circlip	M6	12	5.1	0.5	404542330

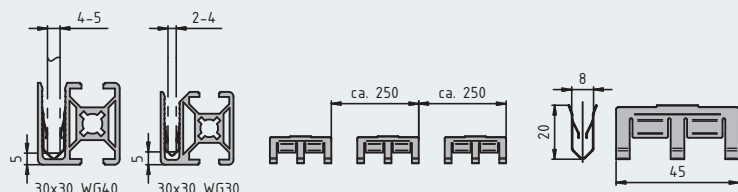
Spring clamp element

Clamps surface elements to safety grid profiles 30 × 30 WG30 and 30 × 30 WG40.

Clamping without play.

Safety frame sections can be filled at random.

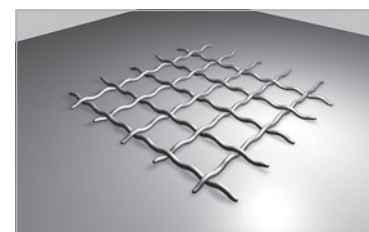
Material: Stainless spring steel



DESIGNATION	ARTICLE NUMBER
Spring clamp element	402525014

Wave grid

Sizes up to 2000 × 2500 mm, galvanised and RAL powder coated.



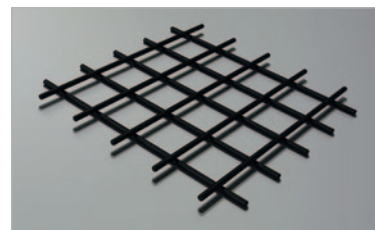
DESIGNATION	MESH SIZE	GRID VARIANT	TYPE OF WIRE	WEIGHT kg/m ²	ARTICLE NUMBER
Wave grid	30 × 30 × 3 mm	Square mesh	Hot-dip galvanised	3.69	630303
Wave grid	40 × 40 × 3.8 mm	Square mesh	Hot-dip galvanised	4.92	640404

Example:

Article number	Designation	Size	
630303	Wave grid 30 × 30 × 3 mm	1500 × 1000 mm	galvanised

Spot-welded grid

Sizes up to 1250 × 2500 mm, black plastic-coated steel (RAL9005).



DESIGNATION	MESH SIZE	GRID VARIANT	WEIGHT kg/m ²	ARTICLE NUMBER
Spot-welded grid	30 × 30 × 3 mm	Square mesh	3.61	730303

Example:

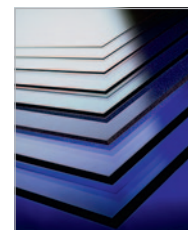
Article number	Designation	Size	
630303	Wave grid 30 × 30 × 3 mm	1500 × 1000 mm	galvanised

Polycarbonate

Transparent and antistatic transparent variants of the following sizes. Ask for UV-resistant polycarbonate.

Material: Antistatic (ASTM 257), conductive surface *

Surface resistance: 10⁴ – 10⁸ ohm



DESIGNATION	T =	DESIGN	WEIGHT kg/m ² *	ARTICLE NUMBER
Cut-to-size polycarbonate	2 mm	normal	2.28	500002
Cut-to-size polycarbonate	3 mm	normal	3.4	500003
Cut-to-size polycarbonate	4 mm	normal	4.6	500004
Cut-to-size polycarbonate	5 mm	normal	5.7	500005
Cut-to-size polycarbonate	6 mm	normal	6.9	500006
Cut-to-size polycarbonate	8 mm	normal	9.12	500008
Cut-to-size polycarbonate	10 mm	normal	11.4	500010
Cut-to-size polycarbonate	15 mm	normal	17.1	500015
Cut-to-size polycarbonate	3 mm	antistatic	3.4	500003AST
Cut-to-size polycarbonate	4 mm	antistatic	4.6	500004AST
Cut-to-size polycarbonate	5 mm	antistatic	5.7	500005AST
Cut-to-size polycarbonate	6 mm	antistatic	6.9	500006AST
Cut-to-size polycarbonate	8 mm	antistatic	9.12	500008AST
Cut-to-size polycarbonate	10 mm	antistatic	11.4	500010AST

* Tolerance ± 5%

* UV-resistant, ESD-ready (DIN61340-5-1) upon request

Example:

Article number	Designation	Size	Design
500004	Cut-to-size polycarbonate T = 4 mm	500 × 400 mm	normal

Rubber mat/push floor mat

Anti-slip mat for push floors.

Rubber mat with fine grooves, 3 mm thick, without padding, fabric finish on bottom side, NR/SBR-grade, approx. 65° shore.

Colour: black

Size: 1200 mm wide, 10 m long



DESIGNATION	THICKNESS	ARTICLE NUMBER
Fine-grooved rubber mat	3 mm	700970

We do of course supply further surface elements.

This catalogue only shows some of the most common ones. We can provide you with other elements such as cut aluminium, V2A, steel sheets etc.

Please contact us for details.

FEET AND WHEELS



Page 8|2
Hinged foot



Page 8|3
Hinged foot
components



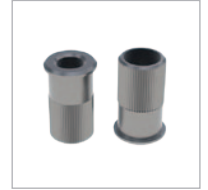
Page 8|4
Base



Page 8|5
Oval base plate



Page 8|6
Base plate



Page 8|7
Threaded sleeve



Page 8|7
Steering or fixed
castor adapter
panel



Page 8|8
Steering castor



Page 8|9
Fixed castor



Page 8|10
Heavy-duty castor



Page 8|11
Castor with fitted
flange



Page 8|12
Adjustable level-
ling foot

Hinged feet

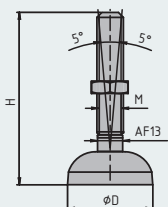


Level out uneven floors up to 10°.

Fully assembled spindle and base plate.

Material: Galvanised steel; transparent chromate coating

Accessories: Supplied with conternut as shown.



DESIGNATION	D =	M	H =	F (N)	ARTICLE NUMBER
Hinged foot	30	M12	67 mm	7,700	402529025
Hinged foot	30	M8	67 mm	3,500	402502257
Hinged foot	44	M12	85 mm	10,000	413352061
Hinged foot	44	M16	145 mm	10,000	413311956
Hinged foot	44	M12	160 mm	10,000	413536470
Hinged foot	58	M12	85 mm	10,000	413511893
Hinged foot	90	M16	85 mm	20,000	413311950
Hinged foot	90	M16	145 mm	20,000	413311951
Hinged foot	90	M16	200 mm	20,000	413527186

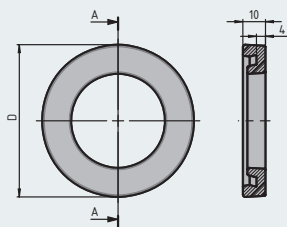
Damper ring

Prevents knuckle feet from slipping on smooth industrial floors and absorbs vibrations.

Material: polyurethane, approx. 70–80 Shore A

Colour: transparent

Properties: oil and water-resistant (up to 60 °C)



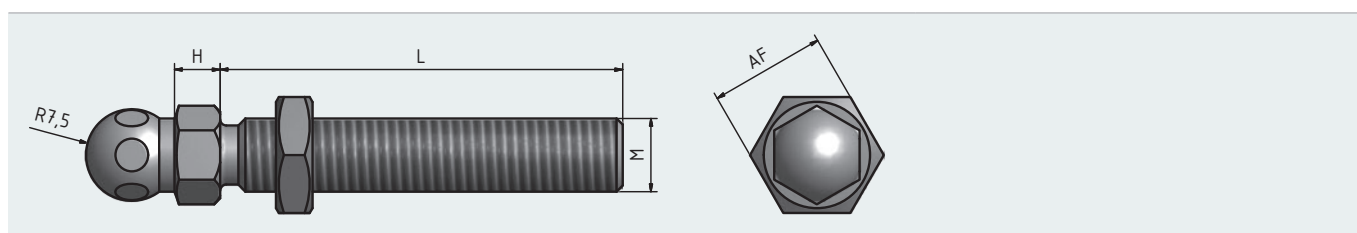
DESIGNATION	FOR BASE	D (mm)	WEIGHT (g)	ARTICLE NUMBER
Damper ring	45	52.0	13.0	413521817
Damper ring	60	67.3	20.0	413522301
Damper ring	90	97.3	29.0	413522303

Threaded rods for hinged knuckle foot, ball 15

Material: Galvanised / stainless steel

Pivoting range of ball-and-socket joint: $\pm 20^\circ$

The lock nut is contained in the package.



DESIGNATION	M x L	CARRYING CAPACITY kg	AF (mm)	H (mm)	GALVANISED STEEL	STAINLESS STEEL
Threaded rod	M8 x 40	350	14	7.5	403537220	403536811
Threaded rod	M12 x 66	770	14	7.5	403537222	403536812
Threaded rod	M12 x 125	770	14	7.5	403537224	403537223
Threaded rod	M12 x 200	770	14	7.5	403537226	403537225
Threaded rod	M16 x 66	1450	17	7.5	403537228	403537227
Threaded rod	M16 x 125	1450	17	7.5	403537230	403537229
Threaded rod	M16 x 170	1450	17	7.5	403537232	403537231

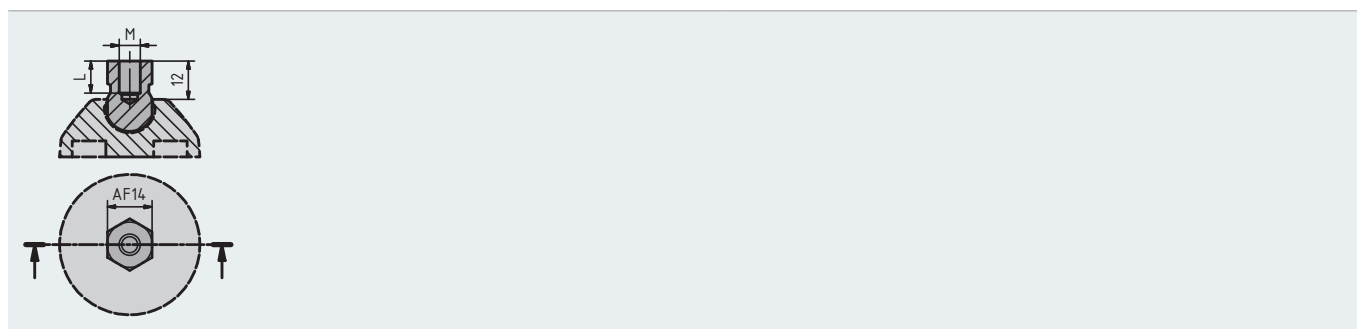
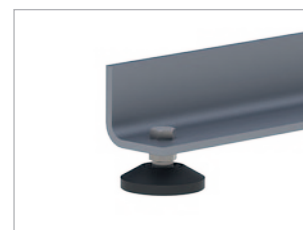
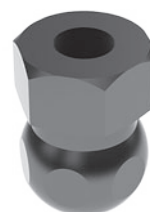
Ball head 15 with female thread



Directly links knuckle feet by means of a standard screw.

For hinged steel/stainless steel knuckle feet

Material: Galvanised / stainless steel: 1.4305



DESIGNATION	MxL	MATERIAL	ARTICLE NUMBER
Ball 15	6x10	Galvanised steel	203600800
Ball 15	6x10	Stainless steel	203600801
Ball 15	8x10	Galvanised steel	203600802
Ball 15	8x10	Stainless steel	203600803

Base for hinged knuckle feet, ball 15

Pivoting floor-mounted knuckle foot for levelling out uneven floors; no mounting hole.

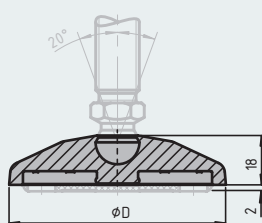
Matching threaded rod: "Threaded rods for hinged knuckle foot, ball 15" on page 8|3



Plastic (PA)

Die-cast zinc

Stainless steel



DESIGNATION	MATERIAL	D (mm)	CARRYING CAPACITY (kg)	ESD	ARTICLE NUMBER
Plate 30	Black plastic (PA)	29	500	—	403538832
Plate 30	Die-cast zinc, black powder coated	29	2000	—	403538674
Plate 30	Stainless steel (1.4305)	29	2000	⚠	403536694
Plate 40	Black plastic (PA)	39	900	—	403538833
Plate 40	Black plastic (PA) with absorber plate	39	900	⚠	403600120
Plate 40	Die-cast zinc, black powder coated	39	3000	—	403538675
Plate 40	Stainless steel (1.4305)	39	3000	⚠	403536695
Plate 45	Black plastic (PA)	44	900	—	403538834
Plate 45	Die-cast zinc, black powder coated	44	3000	—	403538676
Plate 45	Stainless steel (1.4305)	44	3000	⚠	403536696
Plate 50	Black plastic (PA) with absorber plate	49	900	⚠	403600121
Plate 60	Black plastic (PA)	59	900	—	403538835
Plate 60	Black plastic (PA) with absorber plate	59	900	⚠	403600122
Plate 60	Die-cast zinc, black powder coated	59	3000	—	403538677
Plate 60	Stainless steel (1.4305)	59	3500	⚠	403538673
Plate 80	Black plastic (PA)	79	900	—	403538836
Plate 80	Black plastic (PA) with absorber plate	79	900	⚠	403600123
Plate 80	Die-cast zinc, black powder coated	79	3000	—	403538678
Plate 80	Stainless steel (1.4305)	79	3500	⚠	403537206

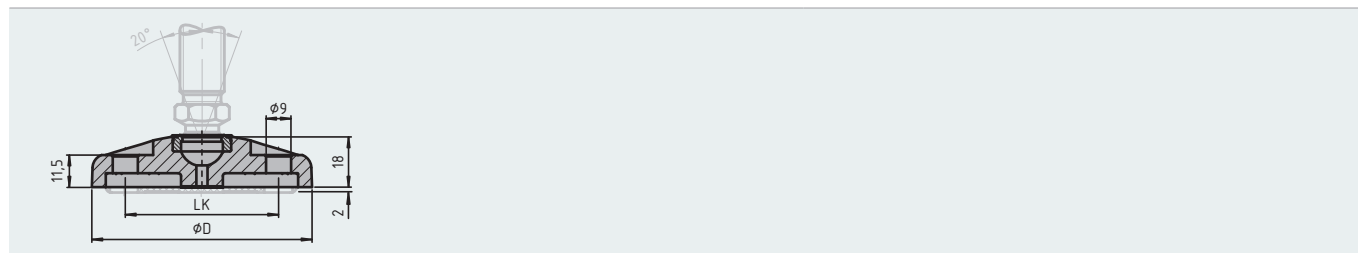
Base plate with mounting hole

Pivoting floor-mounted knuckle foot for levelling out uneven floors.

Material: Die-cast zinc

Surface: black powder coated

Matching threaded rod: "Threaded rods for hinged knuckle foot, ball 15" on page 8|3



DESIGNATION	D (mm)	LK (mm)	CARRYING CAPACITY	ARTICLE NUMBER
Plate 60	59	40	3000 kg	403538932
Plate 80	79	55	3000 kg	403538934

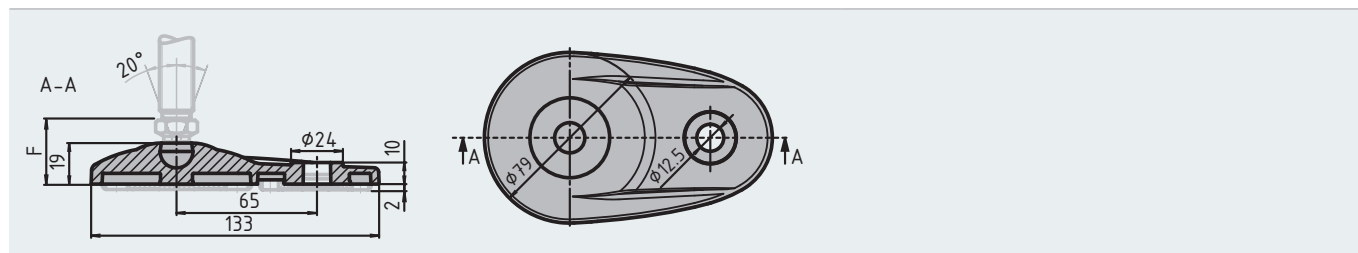
Oval base plate with mounting hole

Pivoting floor-mounted knuckle foot for levelling out uneven floors.

Material: Die-cast zinc

Surface: black powder coated

Matching threaded rod: "Threaded rods for hinged knuckle foot, ball 15" on page 8|3



DESIGNATION	D (mm)	CARRYING CAPACITY	ARTICLE NUMBER
Plate 80	79	3000 kg	403538680

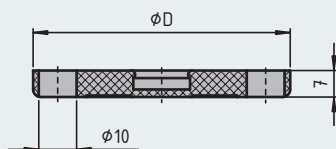
Absorber plate for hinged knuckle feet

Prevents knuckle feet from slipping on smooth industrial floors and absorbs vibrations.

Material: thermoplastic elastomer, approx. 70 Shore A

Properties: oil and water-resistant (up to 60 °C)

Colour: black



DESIGNATION	D	ARTICLE NUMBER
Absorber plate for base 30	20	403538555
Absorber plate for base 40	30	403538556
Absorber plate for base 45	35	403538557
Absorber plate for base 60	50	403538558
Absorber plate for base 80	68	403538559



Base plate

Holds knuckle feet, runners, hooks or similar components.

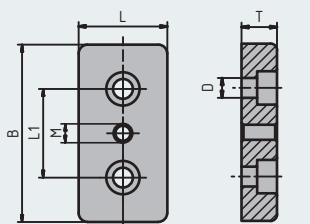
Material: Uncoated die-cast zinc

On-site mount: recommended screws

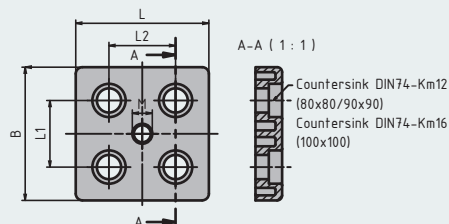
for M8 thread - DIN7984 M8 × 40, galvanised

for M12 thread - DIN7984 M12 × 40, galvanised

for M16 thread - DIN7984 M16 × 40, galvanised



30×60, 40×80, 45×90, 50×100



80×80, 90×90L, 100×100

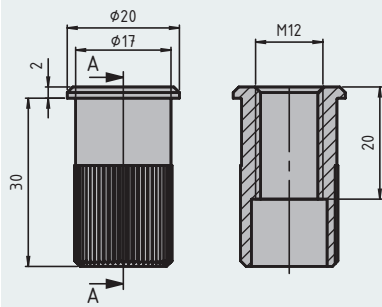
DESIGNATION	B × L	M	L1	L2	D =	T =	ARTICLE NUMBER
Transport and base plate	30 × 60 mm	M8	30		9 mm	12 mm	413500306
Transport and base plate	30 × 60 mm	M12	30		9.0 mm	12 mm	485536560
Transport and base plate	40 × 80 mm	M12	40		14.5 mm	16 mm	413500307
Transport and base plate	45 × 90 mm	M12	45		14.5 mm	16 mm	413500300
Transport and base plate	45 × 90 mm	M16	45		14.5 mm	16 mm	415536564
Transport and base plate	50 × 100 mm	M12	50		14.5 mm	16 mm	413500302
Transport and base plate	80 × 80 mm	M12	40	40	14.5 mm	16 mm	413500303
Transport and base plate	90 × 90 mm	M12	45	45	14.5 mm	16 mm	415511352
Transport and base plate	90 × 90 mm	M16	45	45	14.5 mm	16 mm	415511353
Transport and base plate	100 × 100 mm	M16	50	50	14.5 mm	16 mm	413500301

Ask for silver powder-coated variants.

Threaded sleeve

Holds knuckle feet at a right angle to the profile.
Drill a D17 hole for installation.

Material: Galvanised steel

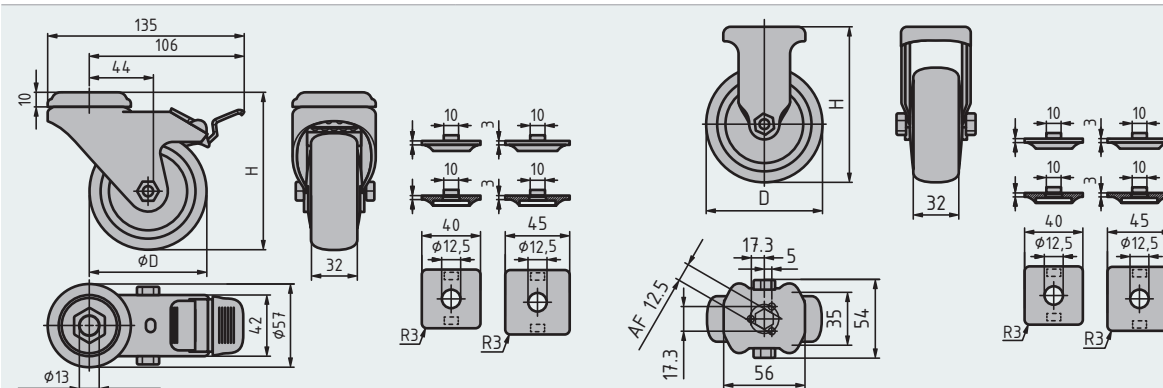
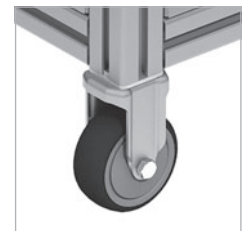


DESIGNATION	SIZE	WEIGHT (g)	ARTICLE NUMBER
Threaded sleeve	M12	30.0	403504790

Adapter plate for steering and fixed castors

More reliably fastens steering and fixed castors. If used on fixed castors, the adapter plate also acts as an anti-twist device.

Material: Die-cast zinc, aluminium coloured powder coat






DESIGNATION	SIZE	ARTICLE NUMBER
Adapter plate for steering castor	40 × 40	412540102
Adapter plate for steering castor	45 × 45	412540103
Adapter plate for fixed castor	40 × 40	412540104
Adapter plate for fixed castor	45 × 45	412540105

Steering castor

The castors run extremely smoothly.

On-site mount: see Steering castor mounting kit (p 8|9)

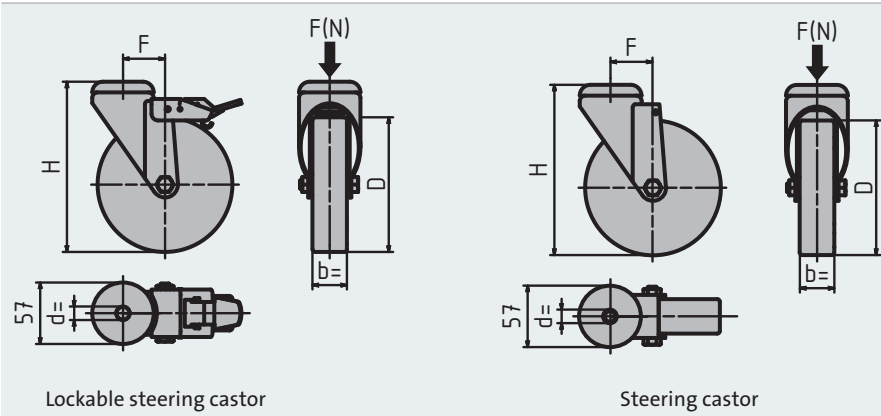
-  Particularly gentle to the floor
-  Oil-resistant for use in workshops
-  Suitable for ESD-sensitive areas.
Conductive material variant



Lockable steering castor






Steering castor



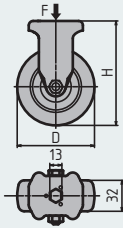
Lockable steering castor

Steering castor

PROPERTIES	D =	d =	H =	F =	F(N)	b =	ARTICLE NUMBER LOCKABLE STEERING CASTOR	ARTICLE NUMBER STEERING CASTOR
 Rim (PA), thermoplastic rubber	80	13	108	39	800	32	412541226	412541234
	100	13	133	39	1000	32	412541246	412541268
	125	13	158	39	1000	32	412541258	412541266
 Reinforced PA, chemically resistant	100	13	133	39	1200	32	412515368	412515369
	125	13	158	39	1200	32	412515367	412515366
 Thermoplastic rubber wheel, conductive thread guard	80	13	108	39	650	32	412541230	412541238
	100	13	133	39	700	32	412541231	412541239
	125	13	158	39	780	32	412541232	412541240

Fixed castor

The castors run extremely smoothly.



PROPERTIES	D =	H =	F(N)	ARTICLE NUMBER
Thermoplastic rubber wheel, conductive thread guard	80 125	108 158	900 1100	412541242 412541244

Steering and fixed castor mounting kit

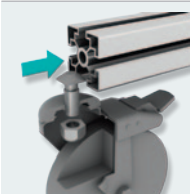
Fastens steering or fixed castors to aluminium profiles.

Note: To mount in a slot 8, you will need:

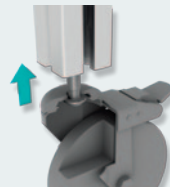
1× M8 × 20 countersunk screw (D7991), 1× slot nut 482514931



8



Mounted in profile slot



Mounted in core pulling

DESIGNATION	DESIGNATION	STEERING CASTOR DM	ARTICLE NUMBER
Mounted in profile slot 10	M12 × 30 square screw	80/100/125	412529159
	M12-8-A nut (DIN985)	80/100/125	412061009
Mounted in core pulling	M12 × 40 cheese head screw (DIN7984)	80/100/125	402150400

Heavy-duty castor

Heavy-duty castor with fitted flange.

Sold as lockable and non-lockable steering castor and fixed castor.

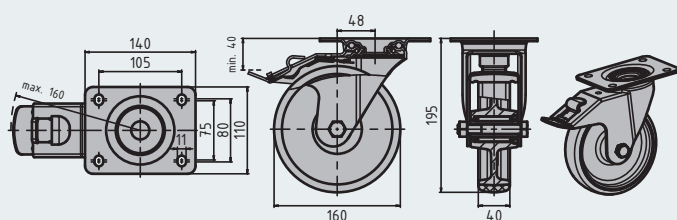
Particularly sturdy for use in workshops.

The castors run extremely smoothly.

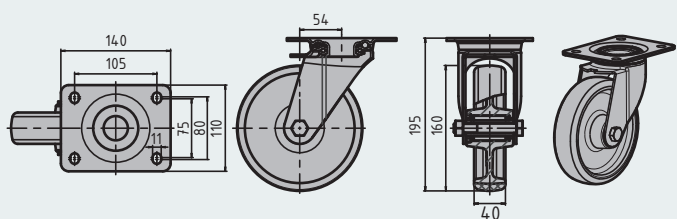
Material: Galvanised steel; transparent chromate coating; wheel: TPU

Required accessories:

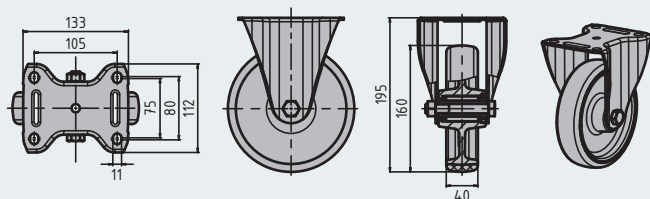
- M10x16 screw (ISO4762), A10.5 washer (DIN125), 10 FSt lock washer for fastening the castor on the mounting plate.
- Hammer head screw, flanged nut, M12 or S12 centre bolt for fastening the mounting plate on the profile frame.



Art. no. 412536736



Art. no. 412536737



Art. no. 412536738

DESIGNATION	F(N)	ARTICLE NUMBER
Lockable steering castor	3000	412536736
Steering castor	3000	412536737
Fixed castor	3000	412536738

Castor with fitted flange

Sturdy castors with fitted flange.

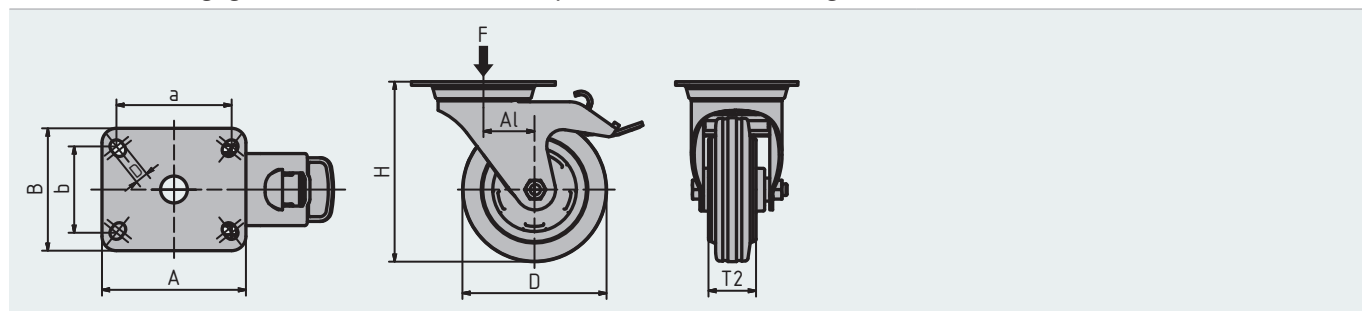
Run very smoothly and are a particularly good choice for workshops.

Sold as lockable steering castor and fixed castor.

Lockable steering castor: locks to prevent the wheel from rolling and turning

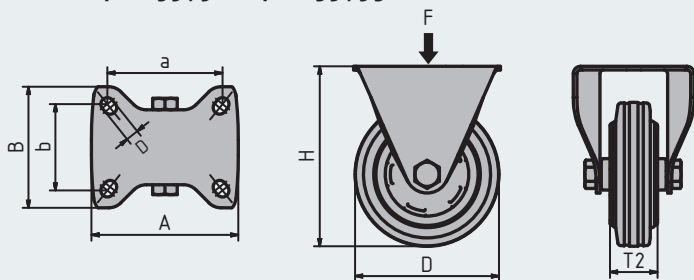
Material: Wheel: solid rubber; rim: polypropylene;

housing: galvanised steel sheet; transparent chromate coating

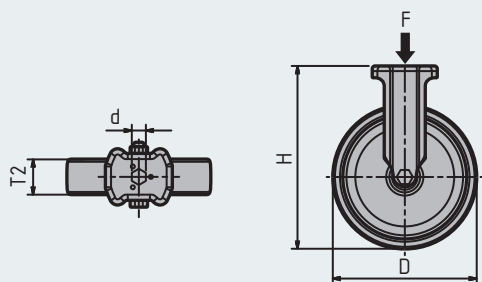



DESIGNATION	F (N)	D (mm)	H (mm)	a (mm)	A (mm)	b (mm)	B (mm)	T2 (mm)	D (mm)	Al (mm)	ARTICLE NUMBER
Steering castor	700	100	125	80	100	60	85	30	9	36	412259790
Steering castor	1000	125	150	80	100	60	85	37.5	9	40	412259791

412259792 + 412259793



412259795 + 412259796



DESIGNATION	F (N)	D (mm)	H (mm)	a (mm)	A (mm)	b (mm)	B (mm)	T2 (mm)	D (mm)	ARTICLE NUMBER
Fixed castor	750	75	98					25	11	412259795
Fixed castor 	750	75	98					25	11	412259796
Fixed castor	700	100	125	80	100	60	85	30	9	412259792
Fixed castor	1000	125	150	80	100	60	85	37.5	9	412259793

DESIGNATION	ARTICLE NUMBER
Mounting kit (3× M8 × 16 screw (ISO4762); 3× M8 hammer nut slot 10; 3× A8.4 washer (DIN125); 3× circlip 8-Fst)	412259794

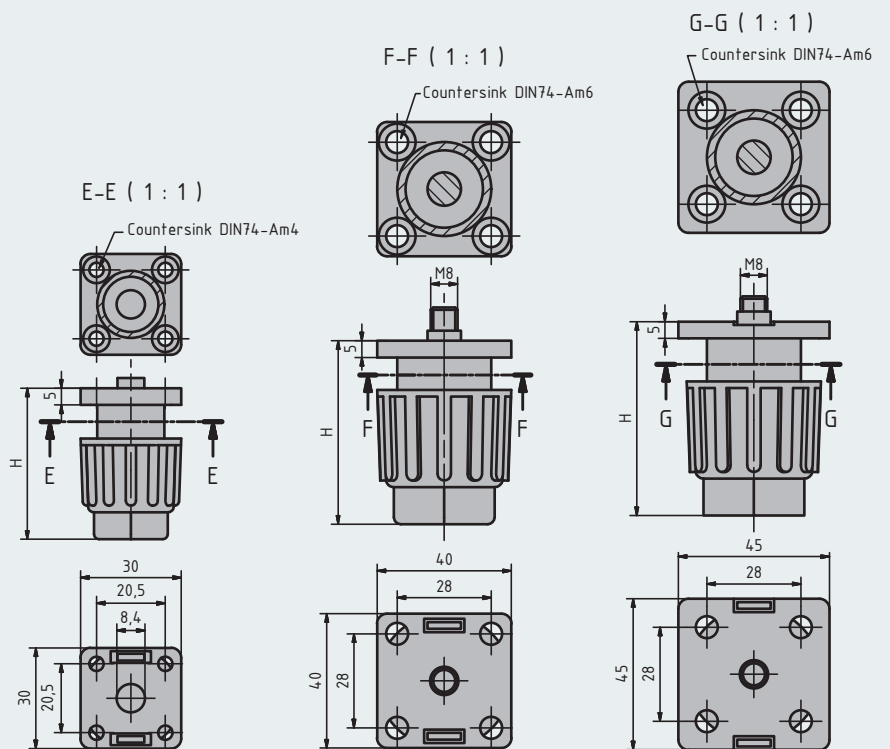
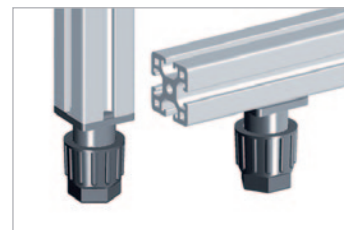
Adjustable levelling foot

Compact levelling knuckle foot that mounts on aluminium profiles.

The profiles mount either at the face end or in the slot. Note that the adjustable levelling feet can only be fastened by using the thread at the centre (→ use a threaded insert to install sizes 40 and 45 in the core pulling).

Note: You will need the countersinks only if installing on plates.

Material: Housing = plastic (PA), fibreglass-reinforced;
Mechanism = galvanised steel



Adjustable levelling foot 30

Adjustable levelling foot 40

Adjustable levelling foot 45

Mount at face end of profile 40 using the threaded insert S12/M8 Art.: 414500610

Mount at face end of profile 45 using the threaded insert S12/M8 Art.: 414500610

DESIGNATION	PROFILE	H=	SLOT	THREAD	HOLE SPACING	CARRYING CAPACITY	ARTICLE NUMBER
Adjustable levelling foot	30	35-50mm	8	M8	B = 20.5 mm	150 kg	483510402
Adjustable levelling foot	40	45-65mm	10	M8	B = 28.0 mm	150 kg	413510403
Adjustable levelling foot	45	45-65mm	10	M8	B = 28.0 mm	150 kg	413510404

CASTORS AND GLIDES



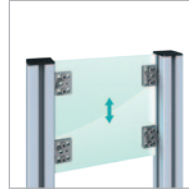
Page 9|2
Slides



Page 9|4
Snap hook & sliding tool hanger



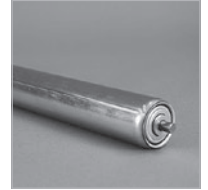
Page 9|5
Runner



Page 9|5
Door slider



Page 9|6
Roller elements



Page 9|7
Support roller



Page 9|7
Roller support



Page 9|8
Ball castor

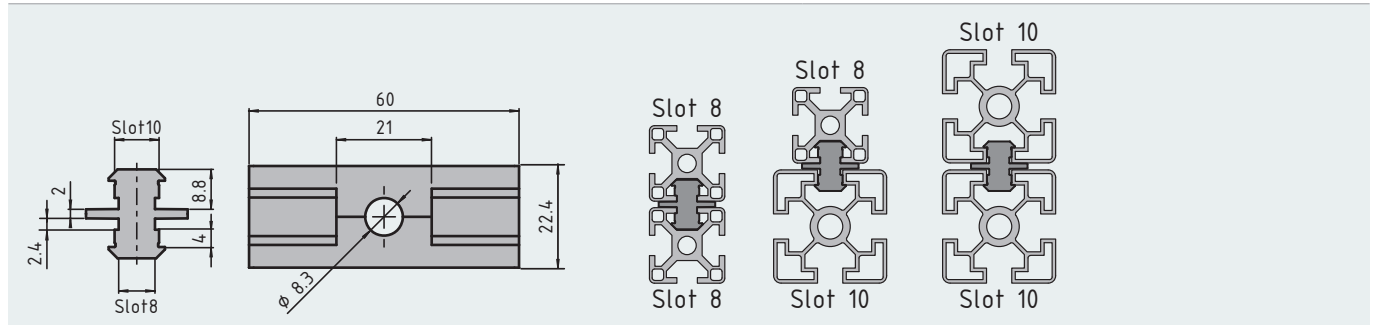
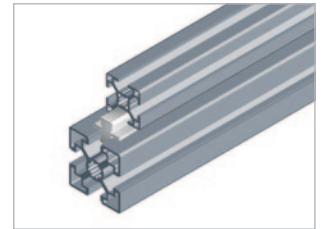
Glides

Use to make low-wear guides.
Fits all profiles with slot width 8 mm and 10 mm.
Use to combine slot 8 and slot 10 profiles.

Material: POM, natural colour

Accessories:

Grub screws (ISO 4027, slot 8 – M8 × 12, slot 10 – M8 × 20) and slot nuts (slot 8 – 482514931, slot 10 – 412528735)



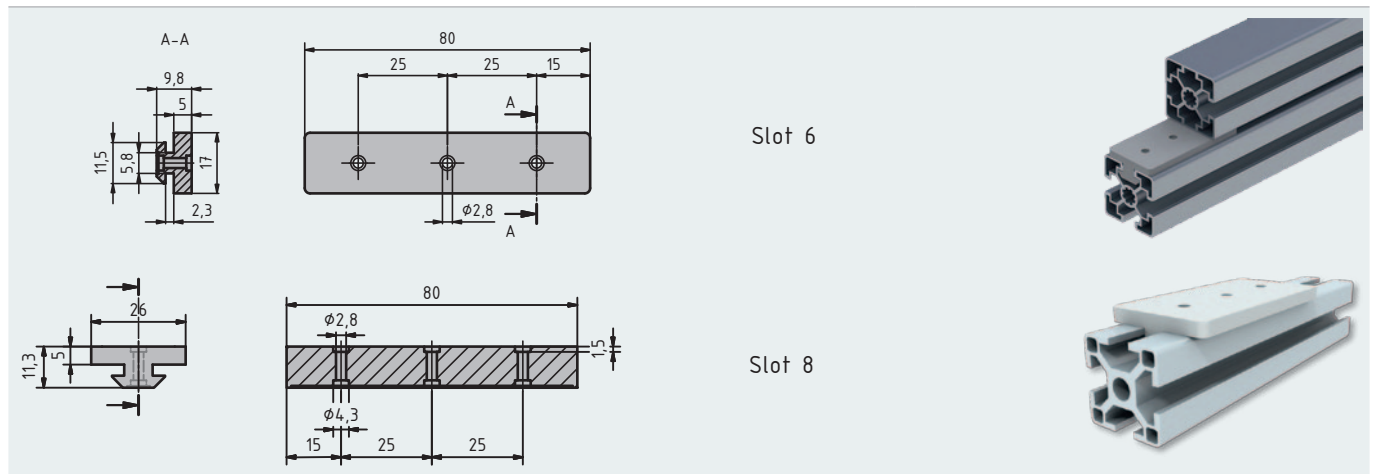
DESIGNATION	SLOT	ARTICLE NUMBER
Profile glide	8 & 10	405513517

Profile glides

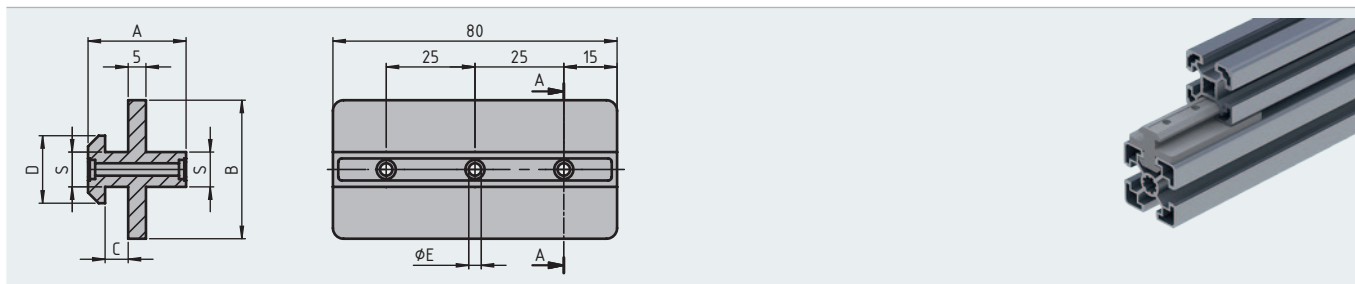
Use to make low-wear guides for manual carriages, sliding doors, lift gates, drawer slides etc.

Optional accessories: Self-tapping screw for mounting the glide in a profile slot

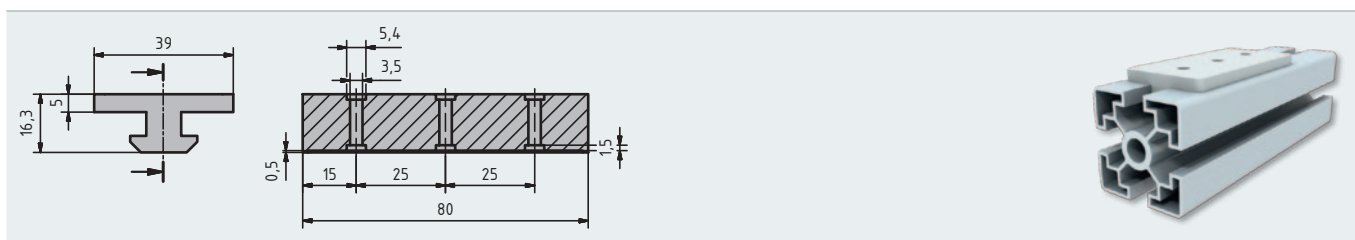
Material: Plastic (POM), natural colour



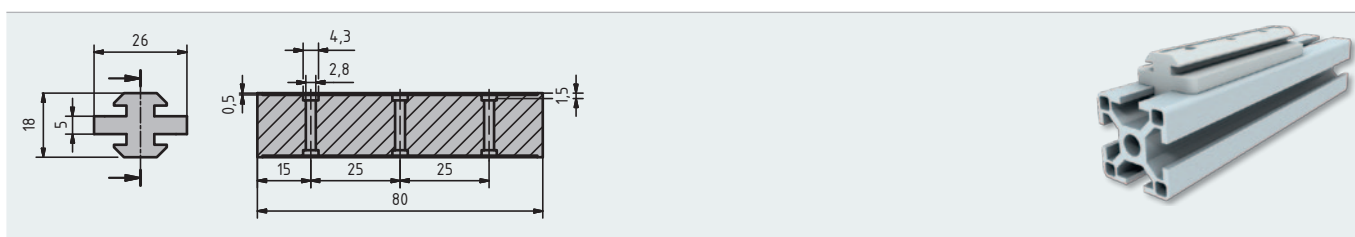
DESIGNATION	SLOT	ARTICLE NUMBER
Low-profile glide	6	462523213
Low-profile glide	8	482523212



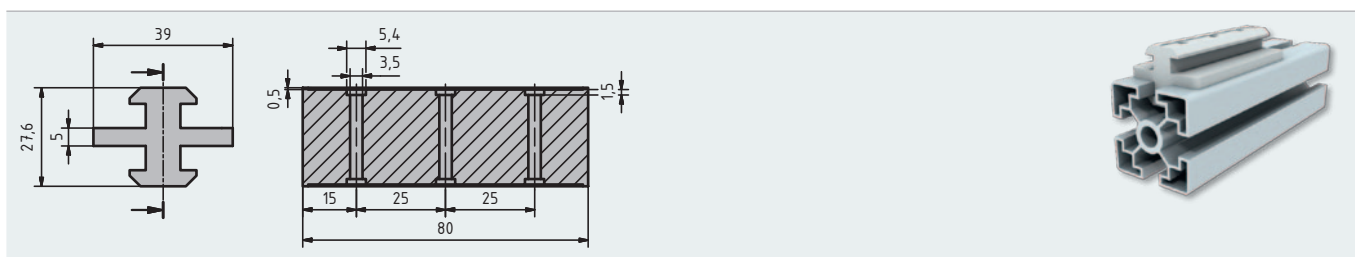
DESIGNATION	SLOT	ARTICLE NUMBER
Centred glide	10	412523206



DESIGNATION	SLOT	ARTICLE NUMBER
Low-profile glide	10	412530329



DESIGNATION	SLOT	ARTICLE NUMBER
Centred glide	8	482523209

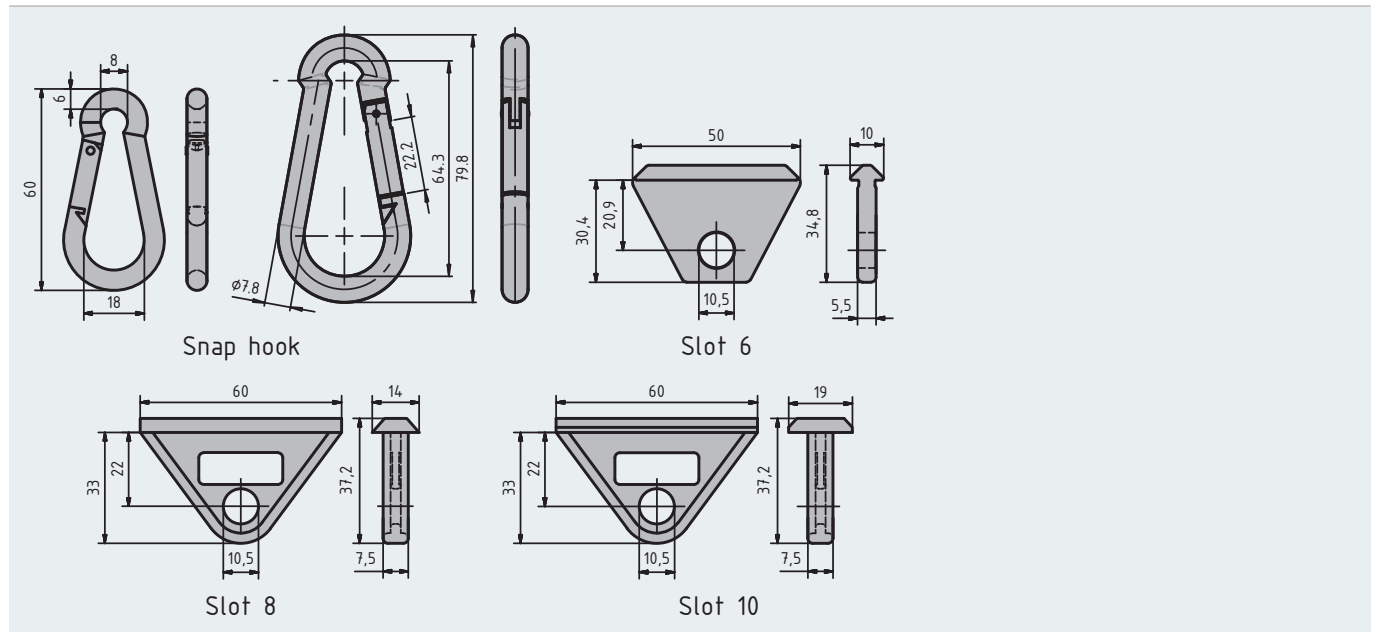


DESIGNATION	SLOT	ARTICLE NUMBER
Centred glide	10	412523205

Snap hook & sliding tool hanger

Hang your tools and clear up your bench.
 Cost-effective solution for sliding tool hangers.
 Slides in the profile slot.
 Slot nut can be used as stopper.

Material: Plastic (PA); fibreglass-reinforced / galvanised steel



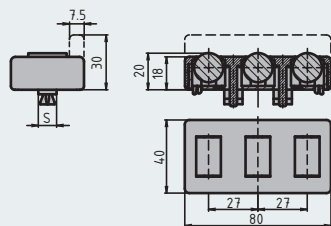
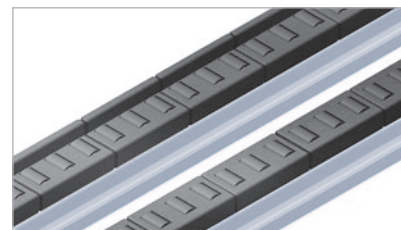
DESIGNATION	SLOT	H= (mm)	MATERIAL	F=	ARTICLE NUMBER
Snap hook		60	Galvanised steel		415901309
Snap hook		80	Stainless steel		405901310
Sliding tool hanger	6		Plastic (PA), fibreglass-reinforced		405218900
Sliding tool hanger	8		Plastic (PA), fibreglass-reinforced		405218901
Sliding tool hanger	10		Plastic (PA), fibreglass-reinforced		415218953

Clip-Fix roller element

Use to make roller conveyors of any width and length; Clip-Fix system ensures fast mounting without tools.

Material: Housing: Plastic (PA), glass bead-reinforced
 Rollers: Plastic (POM)
 Mounting set: Steel

Package includes 2× M4 × 25 cheese head screw each



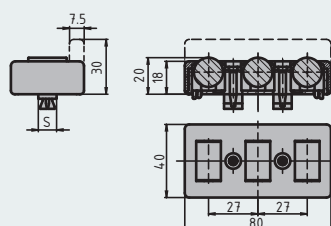
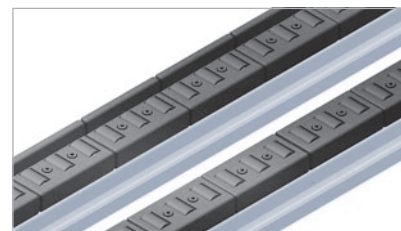
DESIGNATION	SLOT	CARRYING CAPACITY	ARTICLE NUMBER
Roller element 80 × 40 × 18 mm, with stop, pinned, 3 rollers	10	50 N	405800300
Roller element 80 × 40 × 18 mm, without stop, pinned, 3 rollers	10	50 N	405800301

Screw-type roller element

For making roller conveyors of any width and length.

Material: Housing: Plastic (PA), glass bead-reinforced
 Rollers: Plastic (POM)
 Mounting set: Steel

Package includes 2× M4 × 25 cheese head screw each



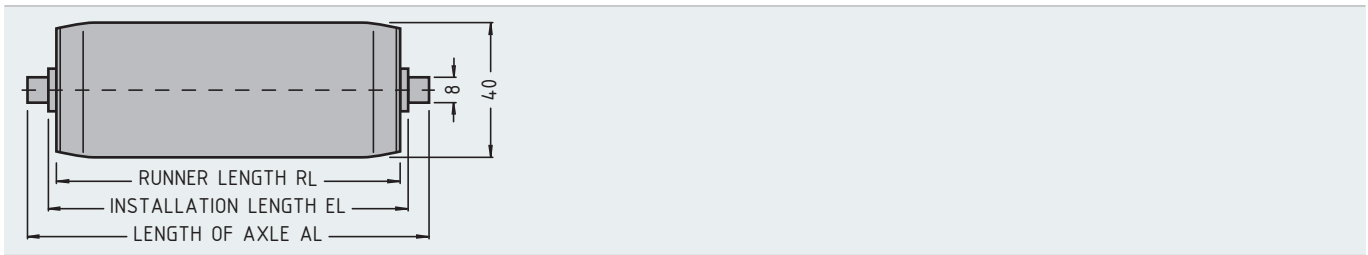
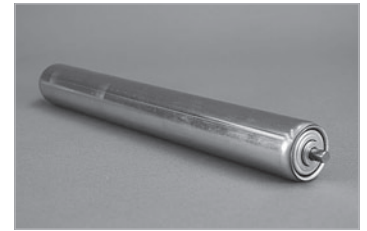
DESIGNATION	SLOT	CARRYING CAPACITY	ESD	ARTICLE NUMBER
Roller element 80 × 40 × 18 mm, with stop, screwed with Clip-Fix, 3 rollers	10	50 N	—	405801200
Roller element 80 × 40 × 18 mm, with stop, screwed with Clip-Fix, 3 rollers includes 2× M4 × 25 cheese head screw (Here, the clamp hammer has already been removed)	10	50 N		405801202
Roller element 80 × 40 × 18 mm, without stop, screwed, 3 rollers	10	50 N	—	405801201
Roller element 80 × 40 × 18 mm, without stop, screwed, 3 rollers includes 2× M4 × 25 cheese head screw (Here, the clamp hammer has already been removed)	10	50 N		405801203

Support rollers

Material: Steel

Support roller holder: Steel sheet base

Bearing: V2.00 with ball holder and steel balls



DESIGNATION	RL	EL	AL	LOAD	ARTICLE NUMBER
Support roller ST300	219 mm	225 mm	245 mm	150 kg	402525737
Support roller ST400	319 mm	325 mm	345 mm	130 kg	402525738
Support roller ST500	419 mm	425 mm	445 mm	80 kg	402525739
Support roller ST600	519 mm	525 mm	545 mm	60 kg	402537163

Roller support

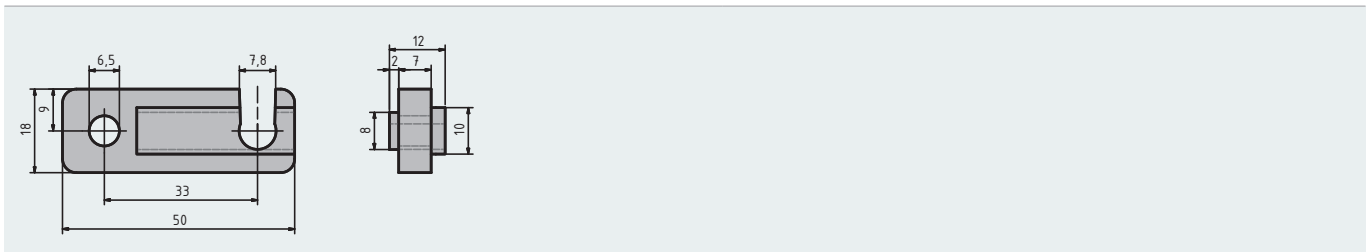
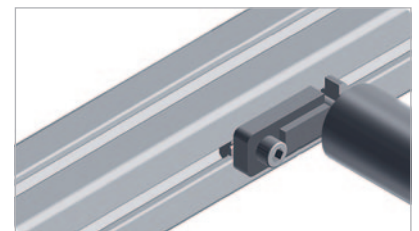
Mounts runners on aluminium profiles.

Allows you to replace single rollers without having to disassemble the profile construction.

Simply turn over to change from slot 8 to slot 10 or vice versa.

Material: Plastic (PA), fibreglass-reinforced

Colour: black



DESIGNATION	ESD	F=	SLOT	ARTICLE NUMBER
Roller support			8 & 10	402535667
Roller support		300 N	8 & 10	402535671

Ball castor

Use to make a branch connection or curve.

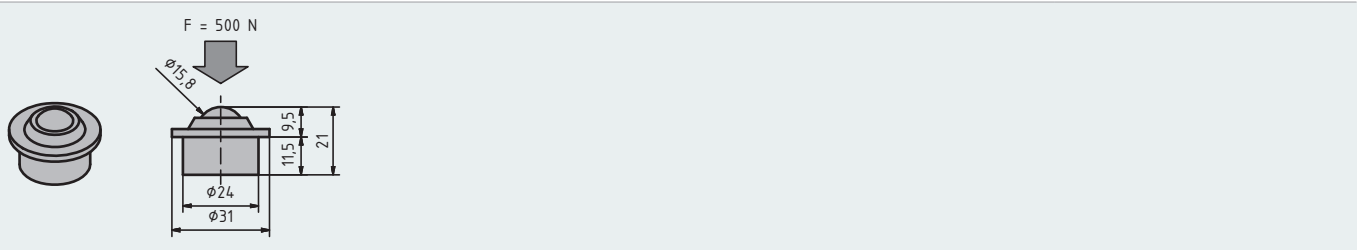
Material: Housing: Galvanised steel

Ball: carbon steel

Ball \varnothing : 15.8 mm; outside \varnothing : 31 mm

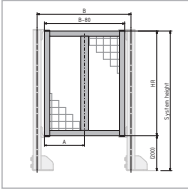
Total height: 21 mm; mounting \varnothing : 24 mm,

Recommended procedure for hole diameter: - press fit: 23.9-24.0 mm

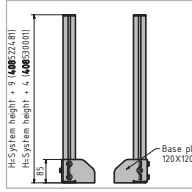


DESIGNATION	CARRYING CAPACITY	MOUNTING DEPTH	ARTICLE NUMBER
Ball castor	600 N	11.5 mm	412541008

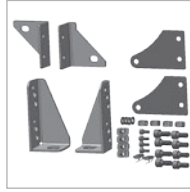
SAFEGUARDS



Page 10|4
Safety frame



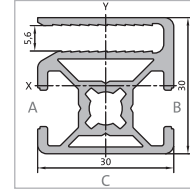
Page 10|7
System pillars



Page 10|11
Mounting kit



Page 10|12
Mounting bracket



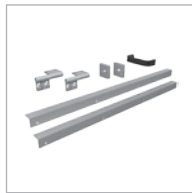
Page 10|13
Safety grid profiles



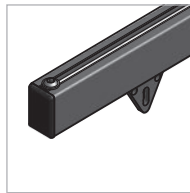
Page 10|15
Base plates



Page 10|17
Safety grid profile caps



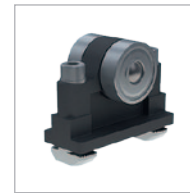
Page 10|18
System door



Page 10|20
Profile rail

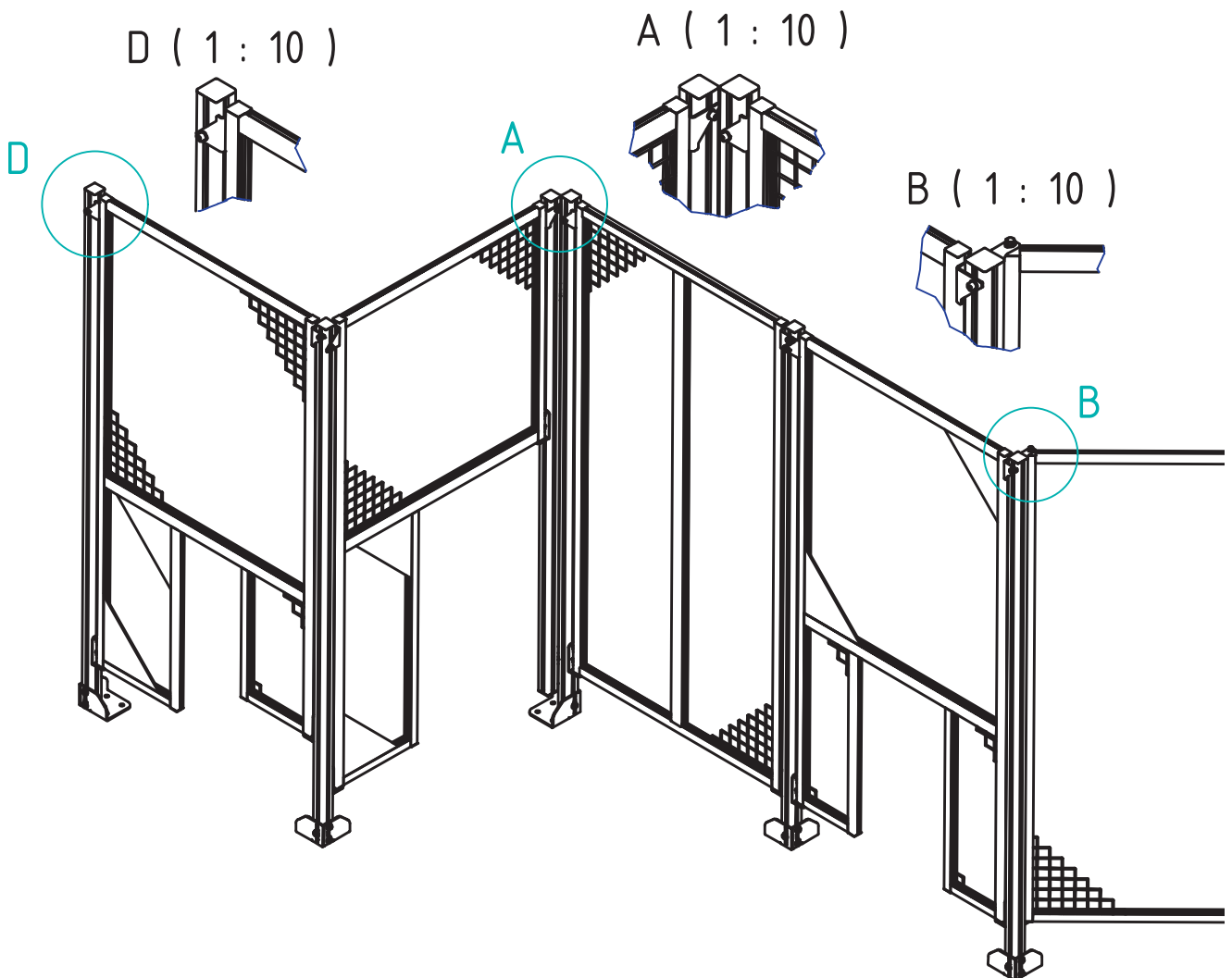


Page 10|21
Clamping element



Page 10|22
Carriage

Safety fence



The Syskomp safety fence system not only ensures a high level of safety in your company but also adapts to the specific requirements of your machinery and production equipment and can be extended at any time.

The size you specify will of course be considered plus as well as any recesses you may need for your production requirements.

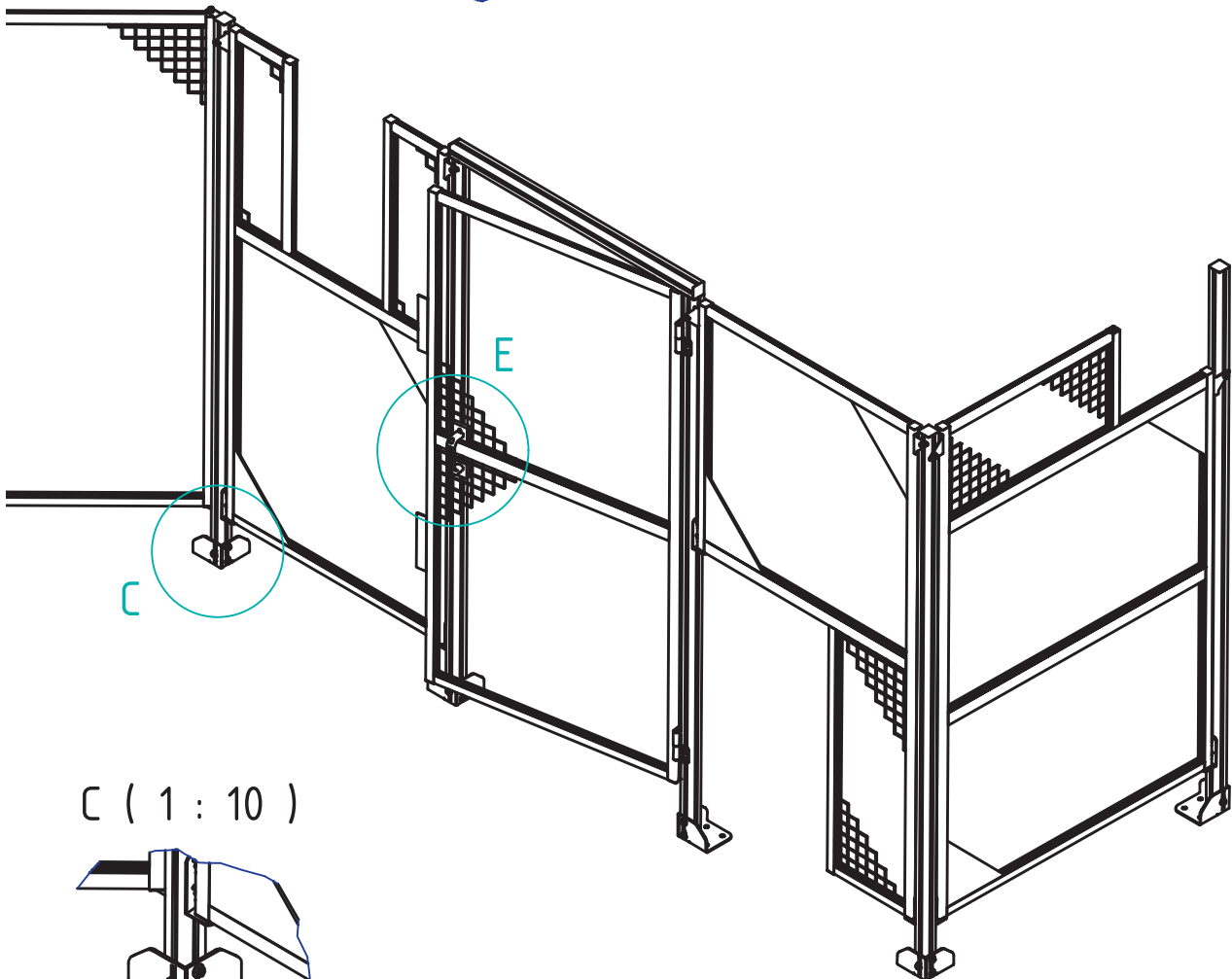
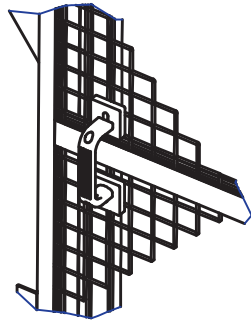
Apart from standard elements such as wave grids, spot-welded grids or Polycarbonate, we can accommodate other elements tailored to your specific needs. Please send us your request.

Use the frames or wave grids powder-coated in various colours to create contrasting views into safeguarded areas which will make it easier to recognise access and escape routes.

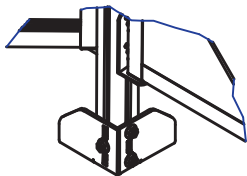
Apart from project planning, production and delivery, we will assist your entire planning of a cost-effective solution, render competent on-site and off-site advice based on long years of experience and assemble the system directly on your site, if you so wish. Another option is to order pre-assembled safety frame kits which you install yourself.

Discover the wealth of options and **challenge us**.

E (1 : 10)



C (1 : 10)



Safety frame

Safety frame made of safety grid profiles.

Supplied fully assembled.

Horizontally or vertically divided safety frames provide large surfaces with extra stability.

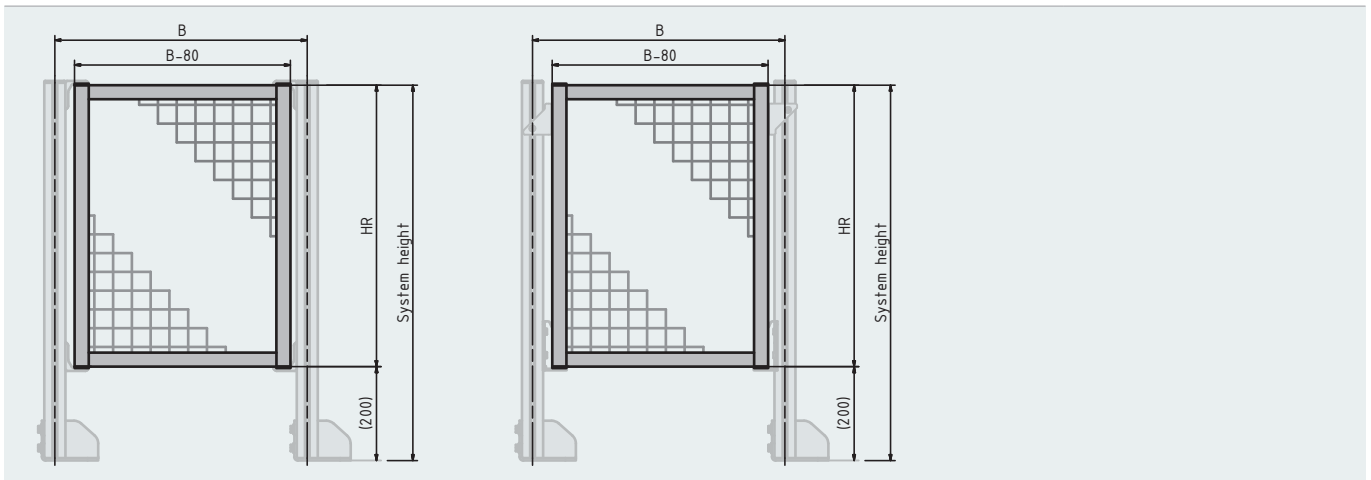
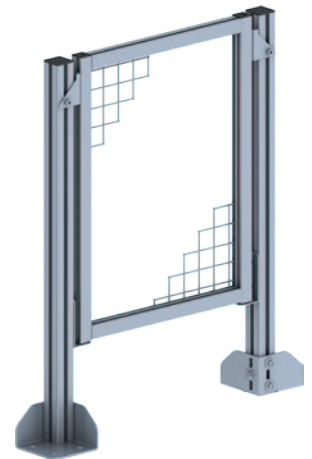
Coloured wave grids improve the contrast when looking into safeguarded areas and make it easier to recognise access and escape routes.

Material: Frame: Anodised aluminium

Filled with: customised elements

Mounting kits (mounting bracket or mounted on the safety fence) and supports are sold separately. Both mounting kits create the same spacing between the safety frames and the supports (B-80).

Note: Special colours will cause some basic extra costs which you will only incur once per ordered lot.



Filling element design options (specify on your order form):

1 = wave grid, 40 × 40 × 3.8, galvanised

2 = wave grid, 40 × 40 × 3.8, powder-coated (special colour), RAL

3 = wave grid, 30 × 30 × 3, galvanised

4 = wave grid, 30 × 30 × 3, powder-coated (special colour), RAL

5 = spot-welded grid, 30 × 30 × 3, black (RAL9005)

6 = Polycarbonate, t = 5 mm, clear

Other filling elements upon request.

DESIGNATION	HR (mm)	B (mm)	DESIGN	ARTICLE NUMBER
Safety frame	160....2000	250....1500	1 ... 6	408994783

Example:	Designation	HR (mm)	B (mm)	Filling element design options: see above 1 to 6
408994783	Safety frame	1800	1000	1*

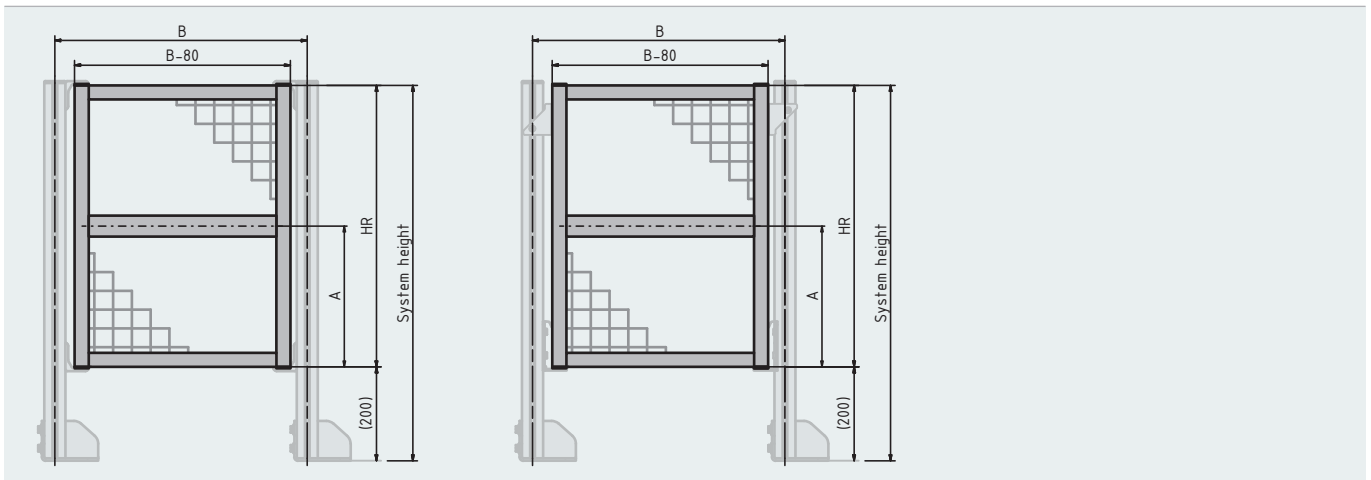
* In this example: wave grid, 40 × 40 × 3.8, galvanised

Horizontally divided safety frame

Material: Frame: Anodised aluminium
 Filled with: customised elements

Mounting kits (mounting bracket or mounted on the safety fence) and supports are sold separately. Both mounting kits create the same spacing between the safety frames and the supports (B-80).

Note: Special colours will cause some basic extra costs which you will only incur once per ordered lot.



Filling element design options (specify on your order form):

- 1 = wave grid, 40 × 40 × 3.8, galvanised
 - 2 = wave grid, 40 × 40 × 3.8, powder-coated (special colour), RAL
 - 3 = wave grid, 30 × 30 × 3, galvanised
 - 4 = wave grid, 30 × 30 × 3, powder-coated (special colour), RAL
 - 5 = spot-welded grid, 30 × 30 × 3, black (RAL9005)
 - 6 = Polycarbonate, t = 5 mm, clear
- Other filling elements upon request.

DESIGNATION	HR (mm)	B (mm)	A (mm)	DESIGN	ARTICLE NUMBER
Horizontally divided safety frame	250....2000	500....2500	Customised	1 ... 6	408994785

Example:	Designation	HR (mm)	B (mm)	A (mm)	Filling element design options: see above 1 to 6
408994785	Horizontally divided safety frame	1800	1000	500	2 (RAL9005)*

* In this example: wave grid, 40 × 40 × 3.8, powder-coated, RAL9005

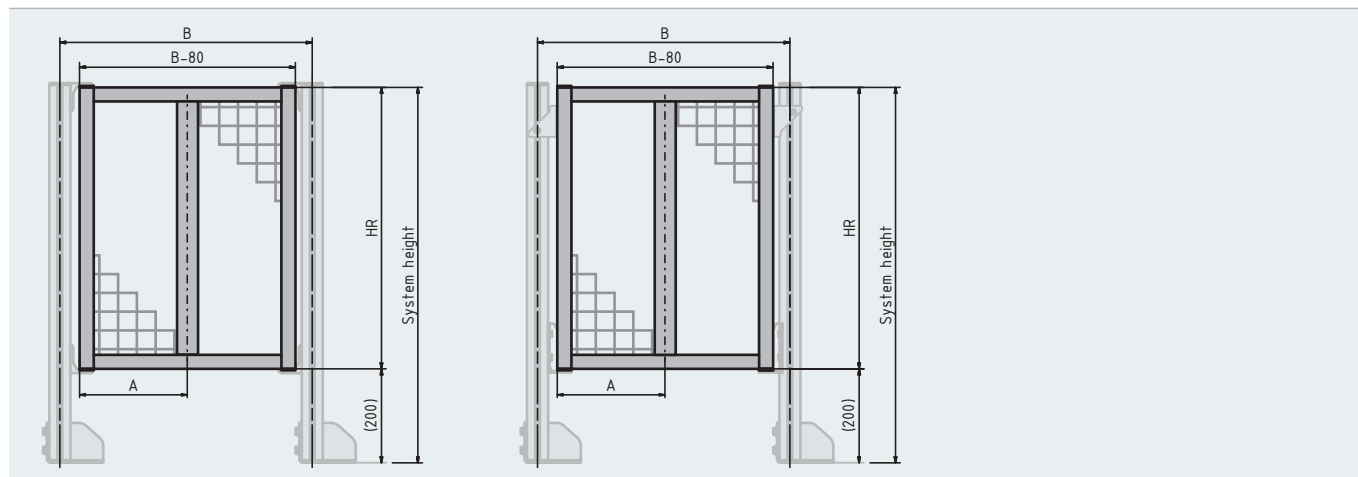
Vertically divided safety frame

Material: Frame: Anodised aluminium

Filled with: customised elements

Mounting kits (mounting bracket or mounted on the safety fence) and supports are sold separately. Both mounting kits create the same spacing between the safety frames and the supports (B-80).

Note: Special colours will cause some basic extra costs which you will only incur once per ordered lot.



Filling element design options (specify on your order form):

- 1 = wave grid, 40 × 40 × 3.8, galvanised
 - 2 = wave grid, 40 × 40 × 3.8, powder-coated (special colour), RAL
 - 3 = wave grid, 30 × 30 × 3, galvanised
 - 4 = wave grid, 30 × 30 × 3, powder-coated (special colour), RAL
 - 5 = spot-welded grid, 30 × 30 × 3, black (RAL9005)
 - 6 = Polycarbonate, t = 5 mm, clear
 - 7 = wave grid, 40 × 40 × 3.8, RAL9005
- Other filling elements upon request.

DESIGNATION	HR (mm)	B (mm)	A (mm)	DESIGN	ARTICLE NUMBER
Vertically divided safety frame	500....2000	250....2000	Customised	1 ... 6	408994784

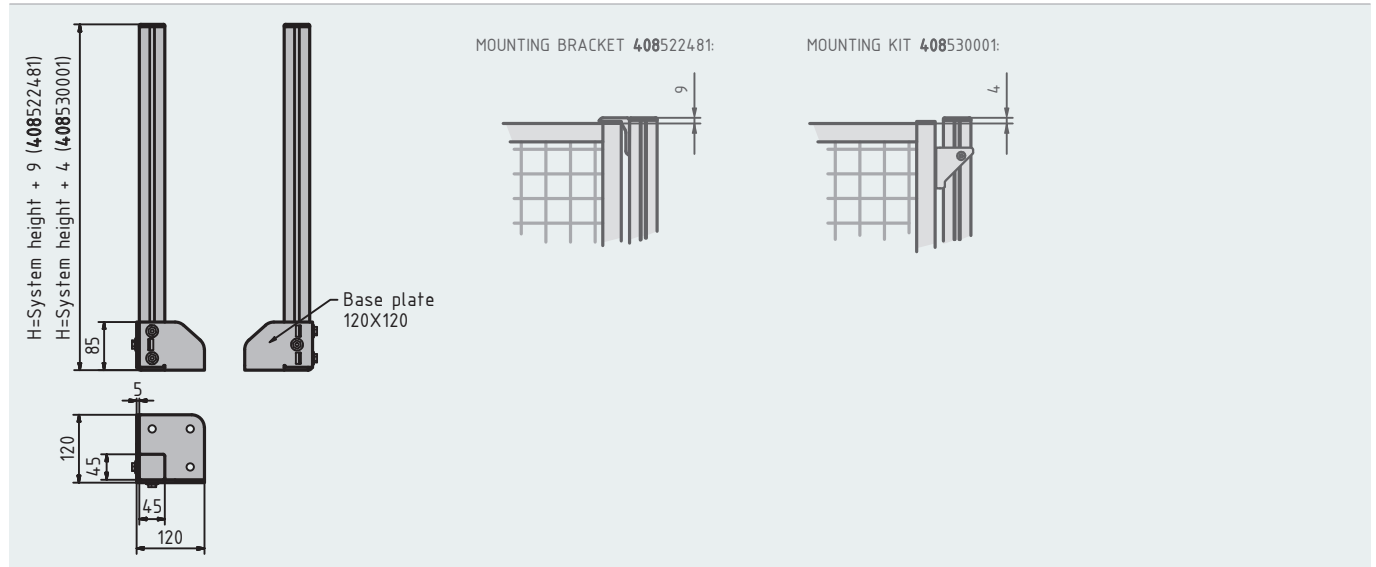
Example:	Designation	HR (mm)	B (mm)	A (mm)	Filling element design options see above 1 to 6
408994784	Vertically divided safety frame	1800	1000	500	3*

* In this example: wave grid, 30 × 30 × 3, galvanised

System pillar 45 × 45 L

Fully assembled system pillar including base plate, brace profile, cap and screws for assembling the safety frames. System height details: see safety frame (p 10|4 to p 10|6).

Note: The actual pillar height (H) refers to the brackets you use.



Type of fastener:

- 1 = mounting bracket 408522481
- 2 = mounting kit 408530001

Type of base:

- Steel: Article number 408520017
- Aluminium: Article number 408527553

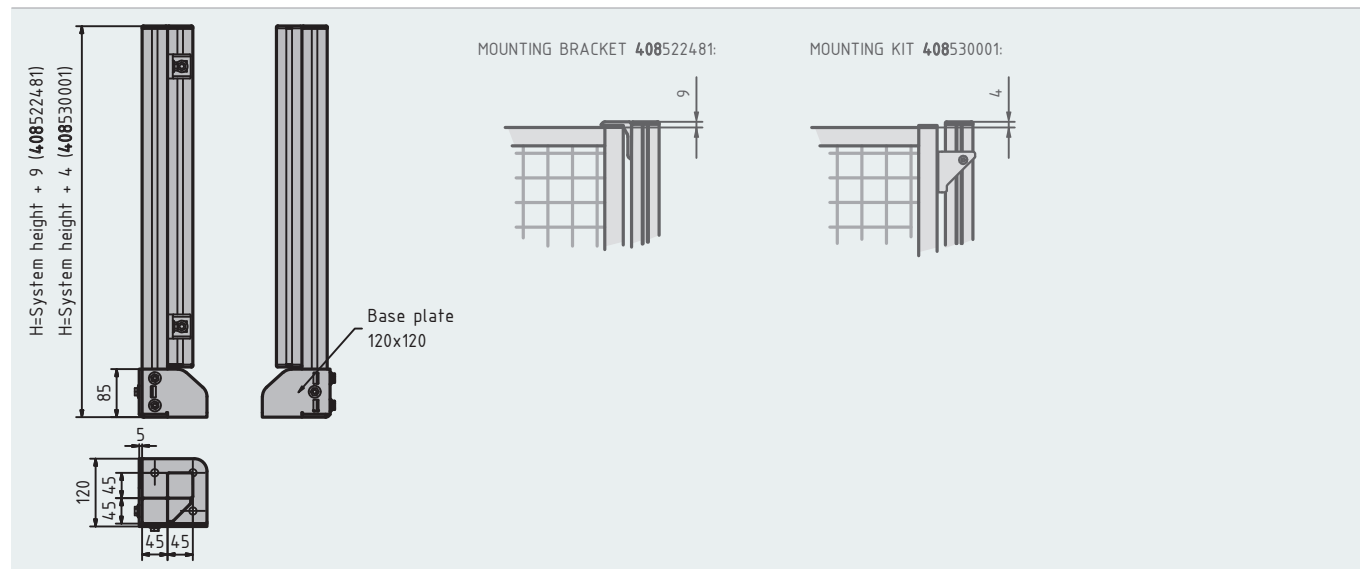
DESIGNATION	SYSTEM HEIGHT (mm)	TYPE OF FASTENER	TYPE OF BASE	ARTICLE NUMBER
System pillar 45 × 45 L	450 ... 2200	1 or 2	Steel or aluminium	408999471

Example:	Designation	System height (mm)	Type of fastener	Type of base
408999471	System pillar 45 × 45 L	2000	1*	Aluminium

* In this example: mounting bracket 408522481

System pillar 45 × 45 × 90 L

Fully assembled system pillar including base plate, aluminium profiles, caps and screws for assembling the safety frames. System height details: see safety frame (p 10|4 to p 10|6). Can be used for inside corners towards the mounting kit.



Type of fastener:

- 1 = mounting bracket 408522481
- 2 = mounting kit 408530001

Type of base:

- Steel: Article number 408520017
- Aluminium: Article number 408527553

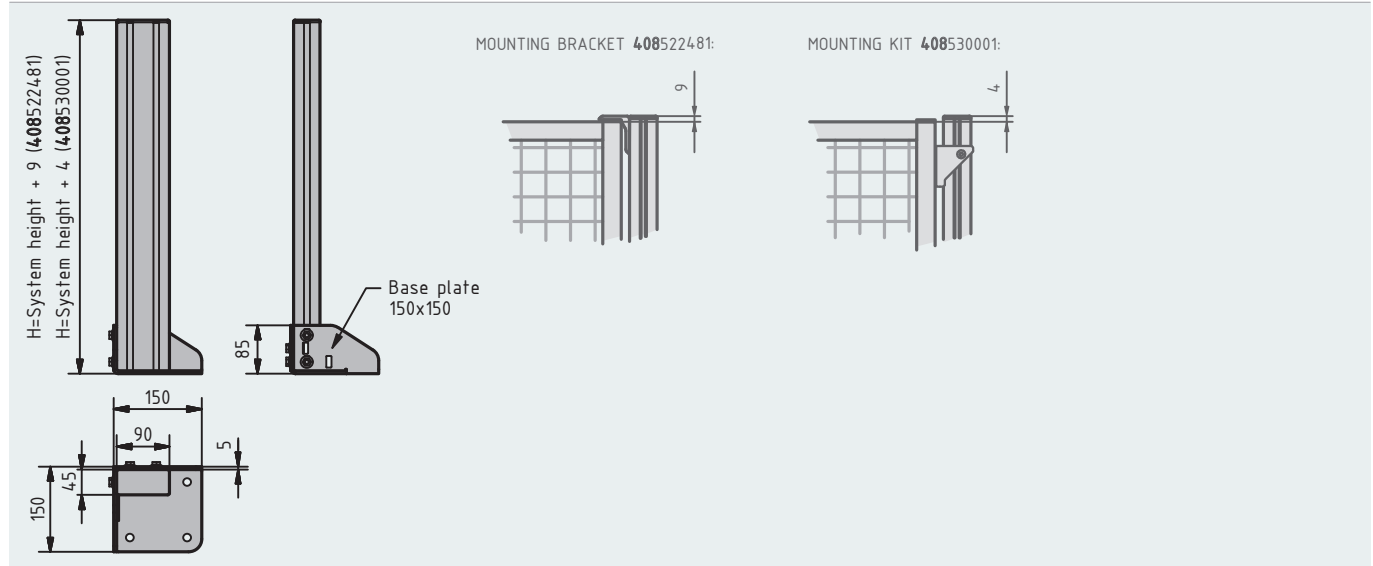
DESIGNATION	SYSTEM HEIGHT (mm)	TYPE OF FASTENER	TYPE OF BASE	ARTICLE NUMBER
System pillar 45 × 45 × 90 L	450 ... 2200	1 or 2	Steel or aluminium	408999472

Example:	Designation	System height (mm)	Type of fastener	Type of base
408999472	System pillar 45 × 45 × 90 L	2000	2*	Aluminium

* In this example: mounting kit 408530001

System pillar 45 × 90 L

Fully assembled system pillar including base plate, aluminium profiles, caps and screws for assembling the safety frames. System height details: see safety frame (p 10|4 to p 10|6).



Type of fastener:

- 1 = mounting bracket 408522481
- 2 = mounting kit 408530001

Type of base:

- Steel: Article number 408520017
- Aluminium: Article number 408524469

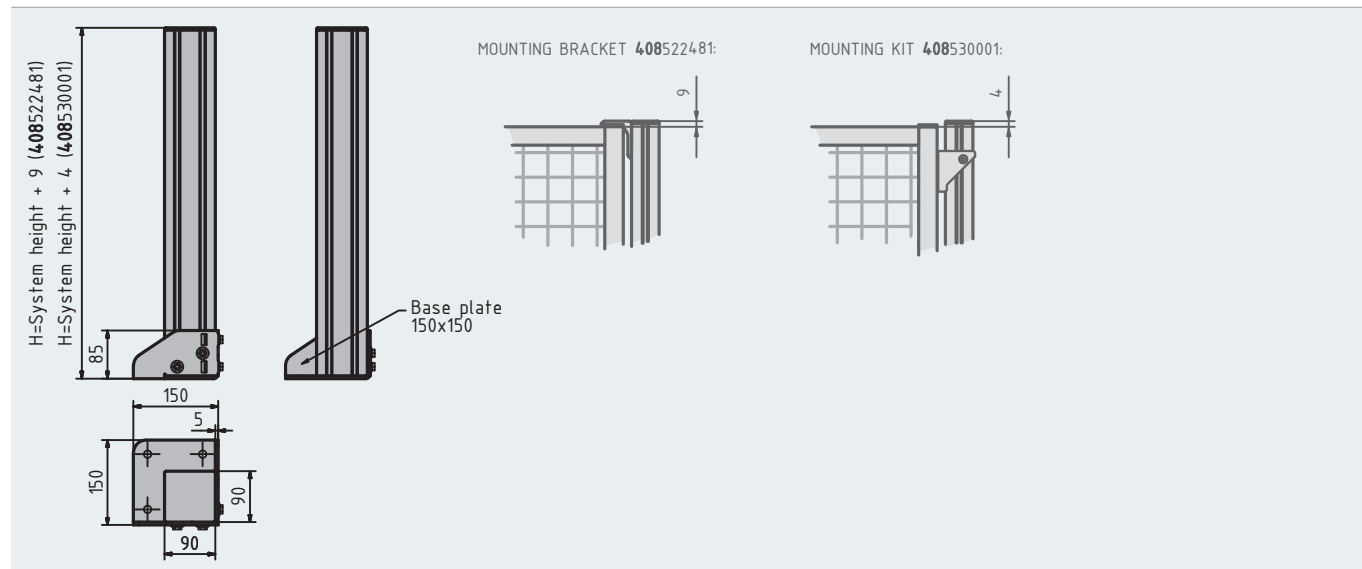
DESIGNATION	SYSTEM HEIGHT (mm)	TYPE OF FASTENER	TYPE OF BASE	ARTICLE NUMBER
System pillar 45 × 90 L	450 ... 2200	1 or 2	Steel or aluminium	408999473

Example:	Designation	System height (mm)	Type of fastener	Type of base
408999473	System pillar 45 × 90 L	1950	2*	Steel

* In this example: mounting kit 408530001

System pillar 90 × 90 L

Fully assembled system pillar including base plate, aluminium profiles, caps and screws for assembling the safety frames. System height details: see safety frame (p 10|4 to p 10|6).



Type of fastener:

- 1 = mounting bracket 408522481
- 2 = mounting kit 408530001

Type of base:

- Steel: Article number 408520017
- Aluminium: Article number 408524469

DESIGNATION	SYSTEM HEIGHT (mm)	TYPE OF FASTENER	TYPE OF BASE	ARTICLE NUMBER
System pillar 90 × 90 L	450 ... 2200	1 or 2	Steel or aluminium	408999474

Example:	Designation	System height (mm)	Type of fastener	Type of base
408999474	System pillar 90 × 90 L	1950	2*	Aluminium

* In this example: mounting kit 408530001

Mounting kit

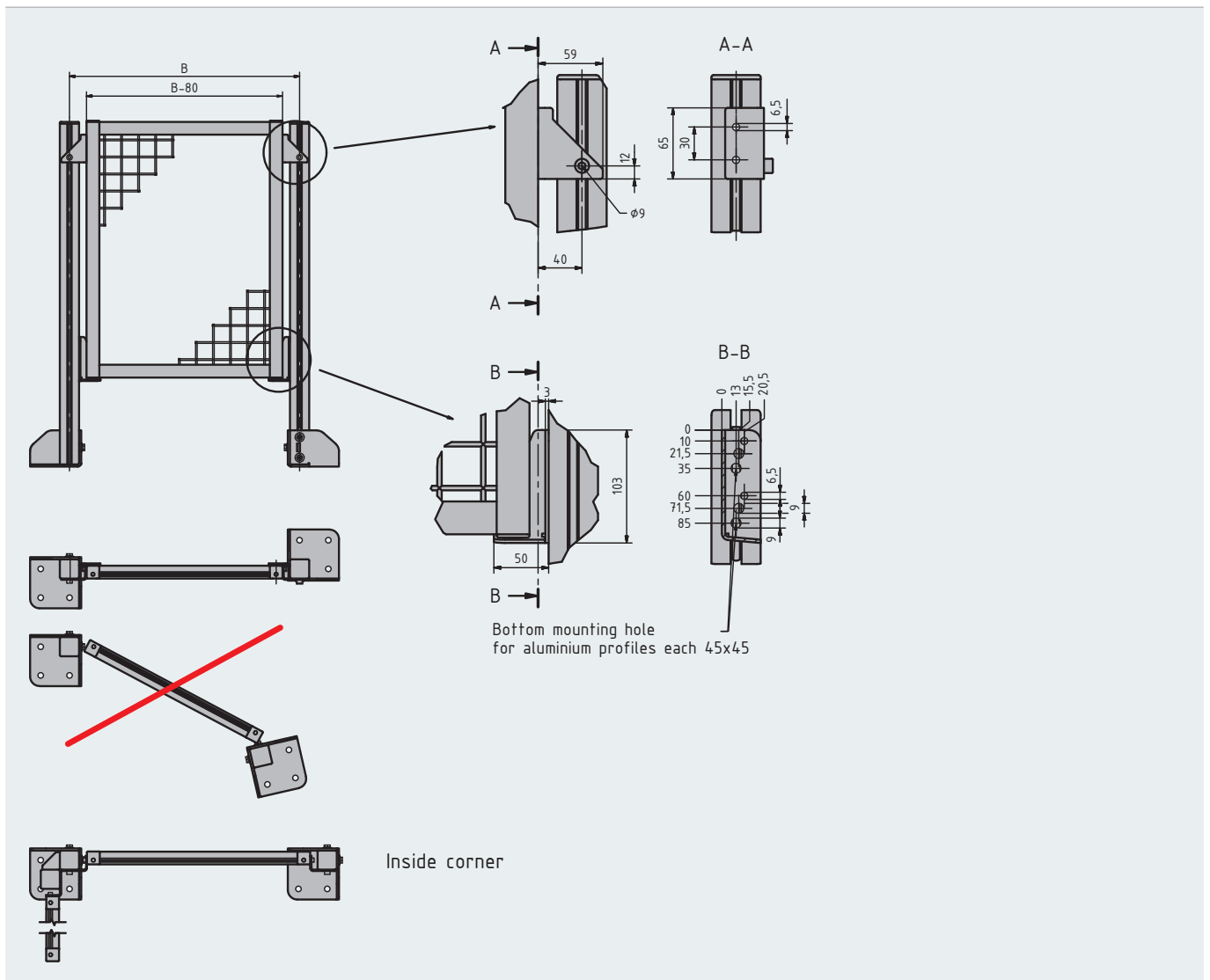
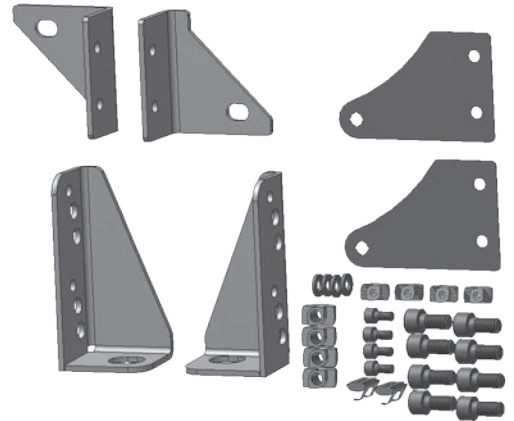
Mounts the safety fence on the pillar.

Each mounting kit contains 2 captive elements.

Use this mounting kit for easily mounting the safety frames between the system pillars.

Supplied pre-assembled with the screws and hammer head nuts fixed in the brackets. This will help you install your safety frames quickly.

Material: Bracket: Galvanised steel; blue chromate coating



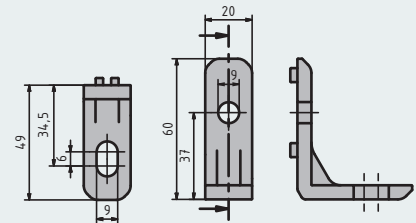
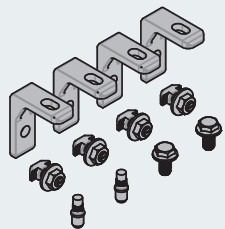
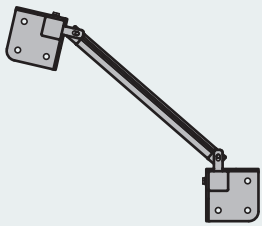
DESIGNATION	ARTICLE NUMBER
Mounting kit (pre-assembled)	408530001

Mounting bracket – set of securing hardware

Use to mount the safety frame on the pillar at any angle. Centring lugs on the mounting bracket act like anti-twist devices.

Material: Die-cast zinc; mounting material: galvanised steel

Package includes four brackets and mounting material per set



DESIGNATION	SLOT	F=	ARTICLE NUMBER
Mounting bracket set	10	1500 N	408522481
Securing hardware set for mounting bracket	10		406542146

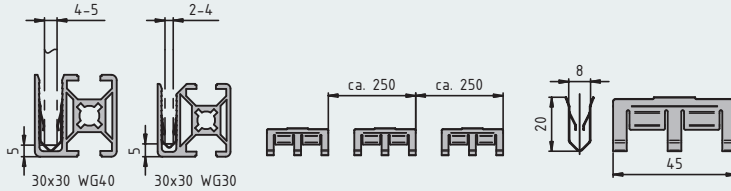
Spring clamp element

Clamps surface elements to safety grid profiles 30 × 30 WG30 and 30 × 30 WG40.

Clamping without play.

Safety frame sections can be filled at random.

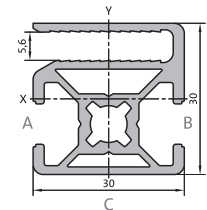
Material: Stainless spring steel



DESIGNATION	ARTICLE NUMBER
Spring clamp element	402525014

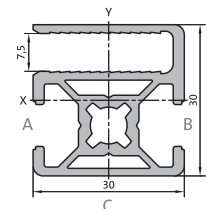
Safety grid profile 30 × 30 WG30

Article number	481522462 (20 bars, 6000 mm each) 481992970 / max. length: 6000 mm
Profile	30 × 30 WG30
Slot	8 mm
Mass	0.87 kg/m
Moment of inertia	$I_x = 3.04 \text{ cm}^4$, $I_y = 2.60 \text{ cm}^4$
Section modulus	$W_x = 1.96 \text{ cm}^3$; $W_y = 1.65 \text{ cm}^3$
Profile surface	$A = 3.21 \text{ cm}^2$
Radius	R2



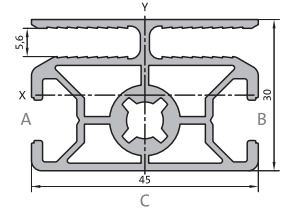
Safety grid profile 30 × 30 WG40

Article number	481522464 (20 bars, 6000 mm each) 481992978 / max. length: 6000 mm
Profile	30 × 30 WG40
Slot	8 mm
Mass	0.84 kg/m
Moment of inertia	$I_x = 2.91 \text{ cm}^4$, $I_y = 2.48 \text{ cm}^4$
Section modulus	$W_x = 1.83 \text{ cm}^3$; $W_y = 1.58 \text{ cm}^3$
Profile surface	$A = 3.12 \text{ cm}^2$
Radius	R2



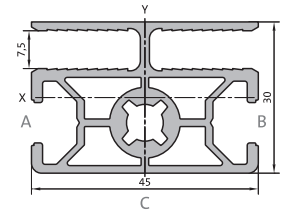
Safety grid profile 30 × 45 WG30

Article number	481522463 (20 bars, 6000 mm each) 481992971 / max. length: 6000 mm
Profile	30 × 45 WG30
Slot	8 mm
Mass	1.21 kg/m
Moment of inertia	$I_x = 4.29 \text{ cm}^4$, $I_y = 7.21 \text{ cm}^4$
Section modulus	$W_x = 2.74 \text{ cm}^3$; $W_y = 3.21 \text{ cm}^3$
Profile surface	$A = 4.51 \text{ cm}^2$
Radius	R2



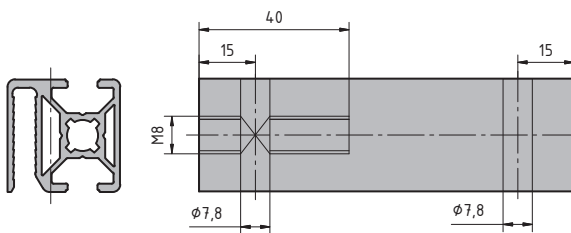
Safety grid profile 30 × 45 WG40

Article number	481522465 (20 bars, 6000 mm each) 481992973 / max. length: 6000 mm
Profile	30 × 45 WG40
Slot	8 mm
Mass	1.2 kg/m
Moment of inertia	$I_x = 4.11 \text{ cm}^4$, $I_y = 6.95 \text{ cm}^4$
Section modulus	$W_x = 2.57 \text{ cm}^3$; $W_y = 3.09 \text{ cm}^3$
Profile surface	$A = 4.44 \text{ cm}^2$
Radius	R2



Machining for safety grid profiles 30 × 30 WG30 and 30 × 30 WG40 (assembled by customer)

M8/D7.8/D7.8



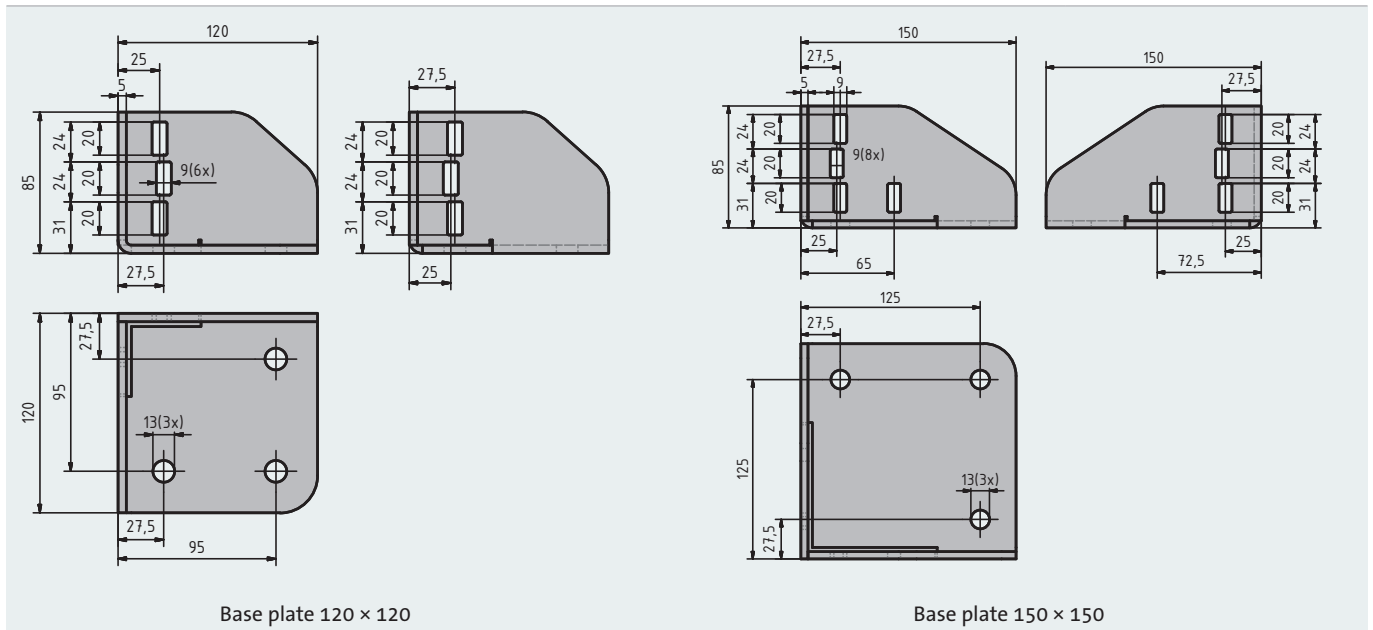
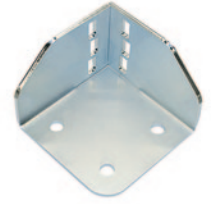
Base plate of galvanised steel



Base plate for mounting a system pillar on aluminium profiles of the following sizes: 40 × 40, 40 × 80, 45 × 45, 45 × 90, 80 × 80 and 90 × 90.

Material: Galvanised steel

Note: ESD-ready only if using hammer head nuts.



DESIGNATION	ARTICLE NUMBER
Base plate 120 × 120	408520017
Base plate 150 × 150	408520011

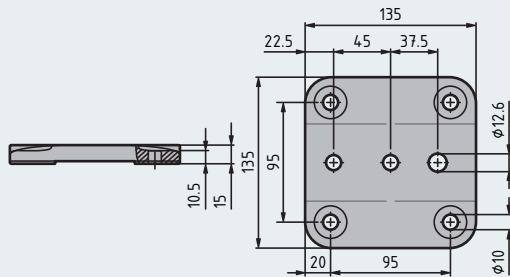
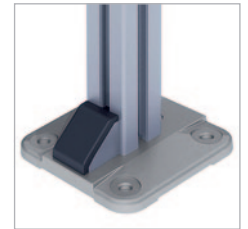
Base plate 135 × 135

new

To accommodate profiles to install posts.
Posts are braced with ground anchors.

Material: die-cast aluminium blank

Recommended fastening: central screw self-forming 412530235



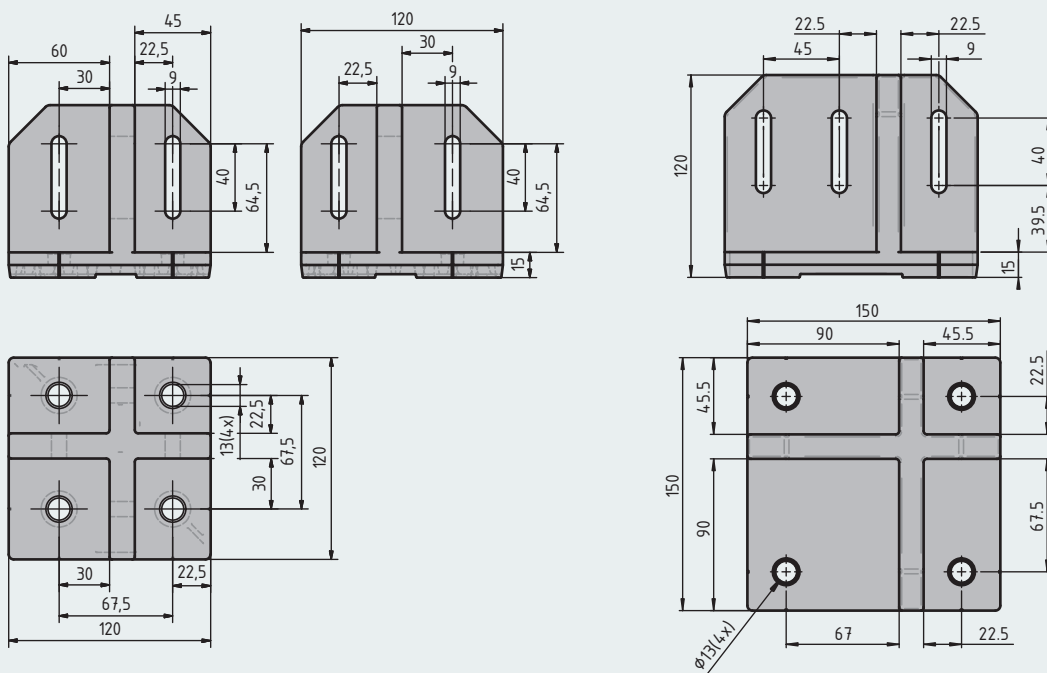
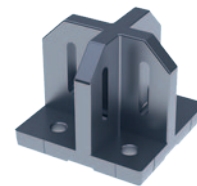
DESIGNATION	SLOT	ARTICLE NUMBER
Base plate 135 × 135	10	408516175

Base plate of die-cast aluminium



Holds pillars which are flush with the edge.
Marks for accurate placement – aiming for the slot centre.
You may use floor dowels for anchoring.

Material: Die-cast aluminium

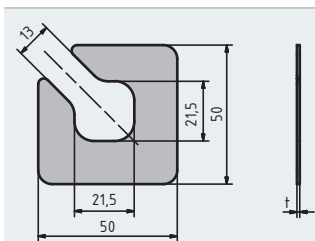


DESIGNATION	ARTICLE NUMBER
Base plate 120 × 120	408527553
Base plate 150 × 150	408524469

Washer

Levels out uneven floors

Material: Stainless steel

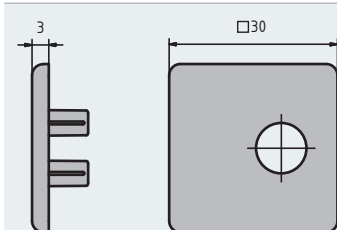
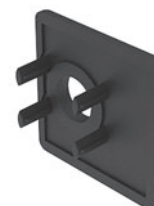


DESIGNATION	t (mm)	ARTICLE NUMBER
Washer	1	402528189

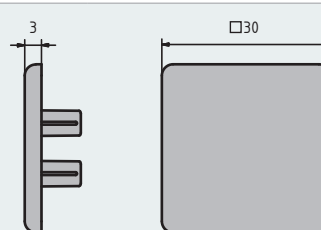
Safety grid profile cap

Improves the appearance and avoid injuries.

Material: Black plastic (PA)



Cap with hole



Cap without hole

DESIGNATION	ARTICLE NUMBER
Cap with hole, 30 × 30	482522345
Cap without hole, 30 × 30	482522346

System door

Use to build safety fence system doors of various sizes.

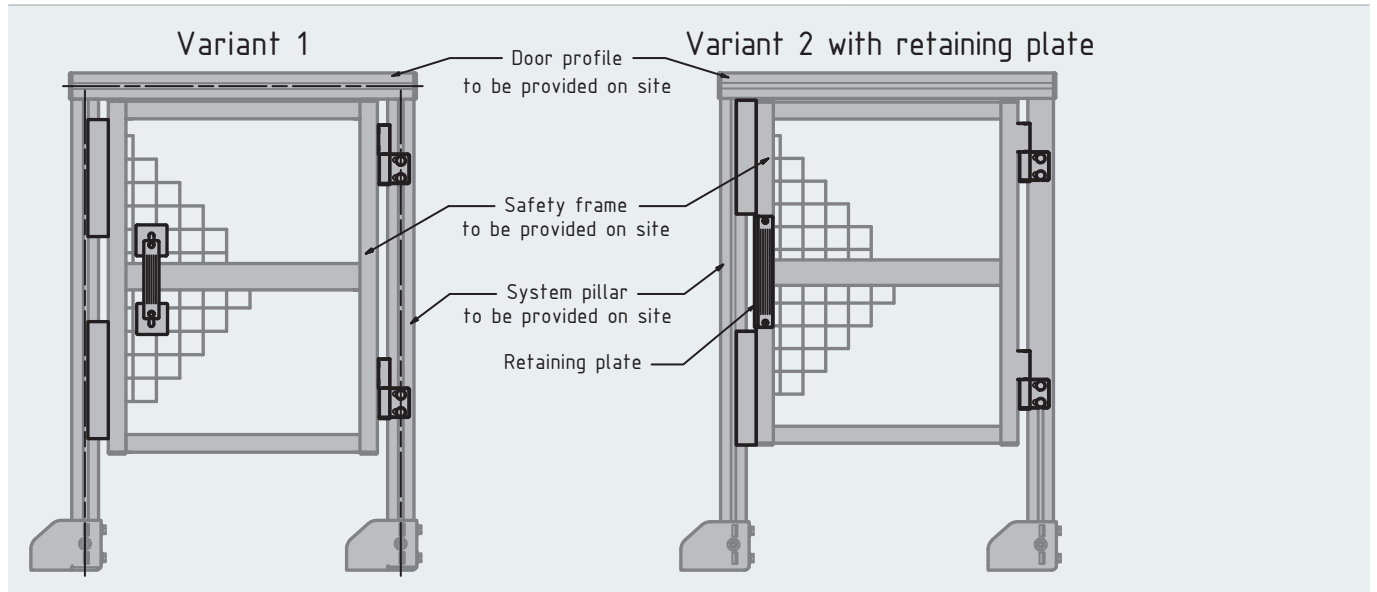
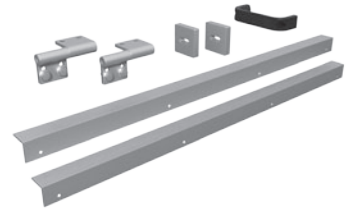
Doors can be hinged on the left or right.

On-site: door profile, safety frame, system pillar

Two design options:

Variant 1 with clamping elements for wave grids

Variant 2 with retaining plate for Makrolon panes



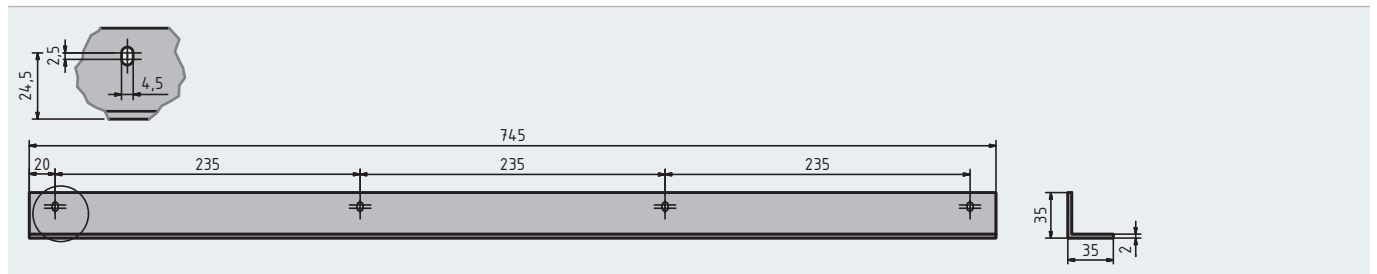
DESIGNATION	ARTICLE NUMBER
System door - kit variant 1 with clamping elements	408530003
System door - kit variant 2 with retaining plate	408530005

Door stop

Door stop for building your own system door.

Material: Steel, blue chromate coating

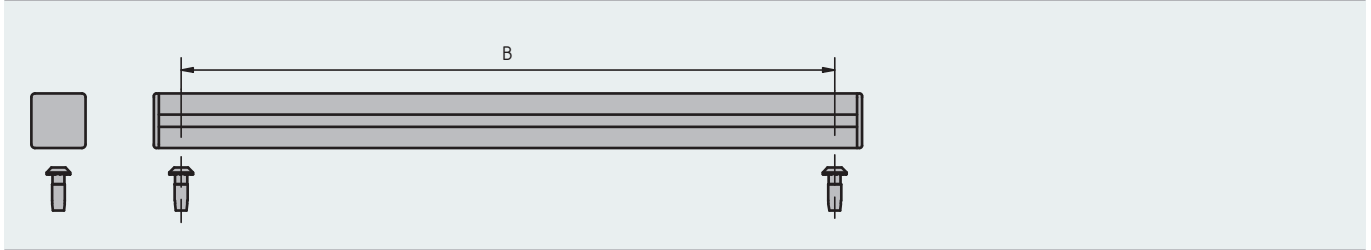
Mounting material: 4× cheese head screw, 4× hammer head nut



DESIGNATION	ARTICLE NUMBER
Door stop	408530002

Door profile

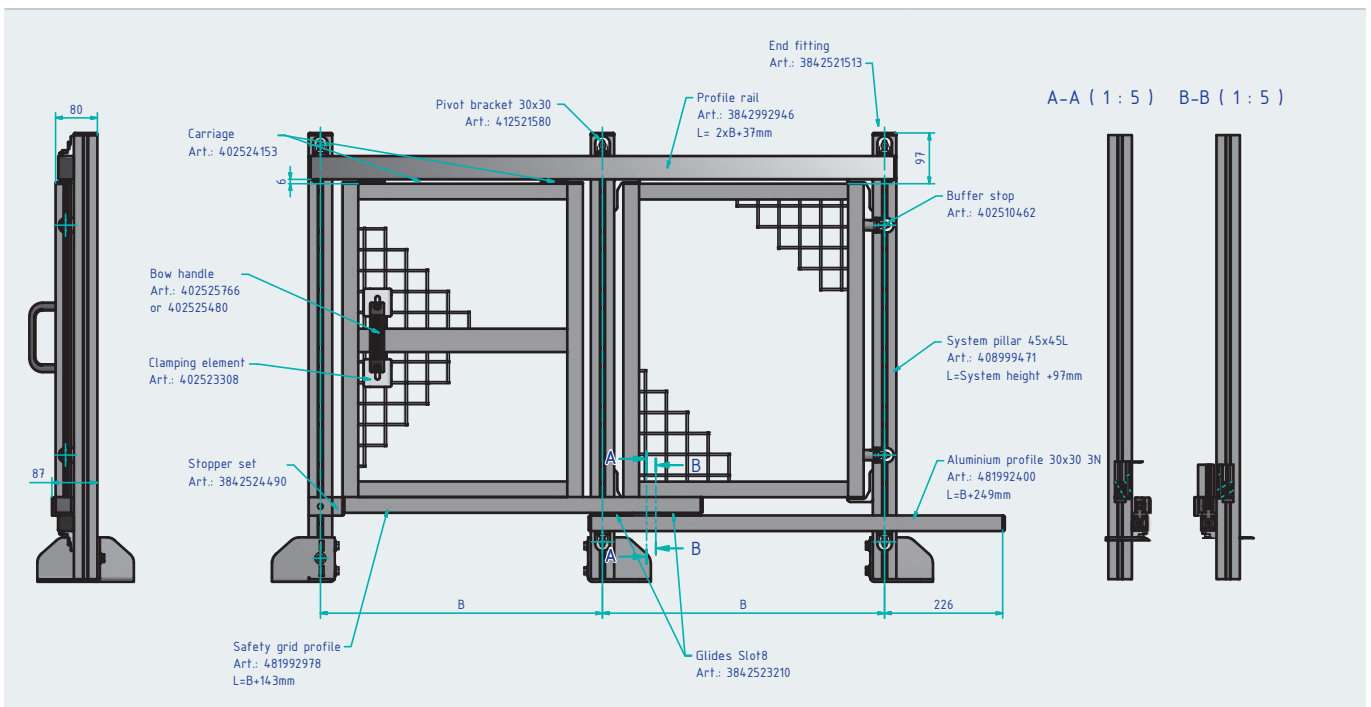
Use the door profile as lintel when assembling your system door.
The set includes 2x cap, 2x screw and aluminium profile 45 x 45L (D9.8/D9.8).



DESIGNATION	B	ARTICLE NUMBER
Customised door profile	Customised	408999102

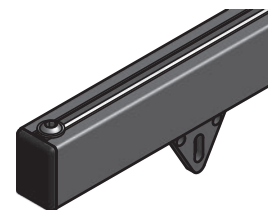
Sliding door components

Components you need to make sliding doors of any size

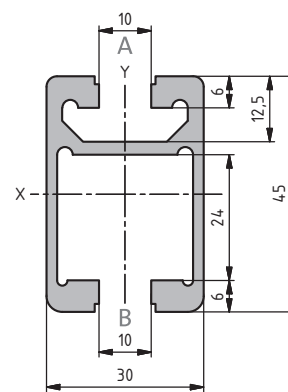


Profile rail, carriage

Profile rail and carriage for hanging up moving parts; use to hang up screwdrivers at your workbench, for EcoSafe sliding doors etc.



Article number	411523598 (20 bars, 6000 mm each) 411992426 /... max. 6000 mm.
Profile	30 × 45C
Slot	10 mm
Mass	1.2 kg/m
Moment of inertia	$I_y = 5.66 \text{ cm}^4$; $I_x = 10.52 \text{ cm}^4$
Section modulus	$W_y = 3.77 \text{ cm}^3$; $W_x = 4.31 \text{ cm}^3$
Profile surface	4.43 cm^2
Radius	R3



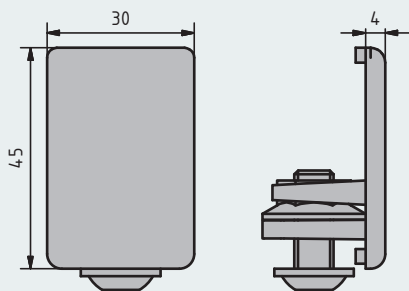
End fitting

Use as cap and stopper of profile rails.

With screw lock.

Material: End fitting: PA

Mounting material: Galvanised steel



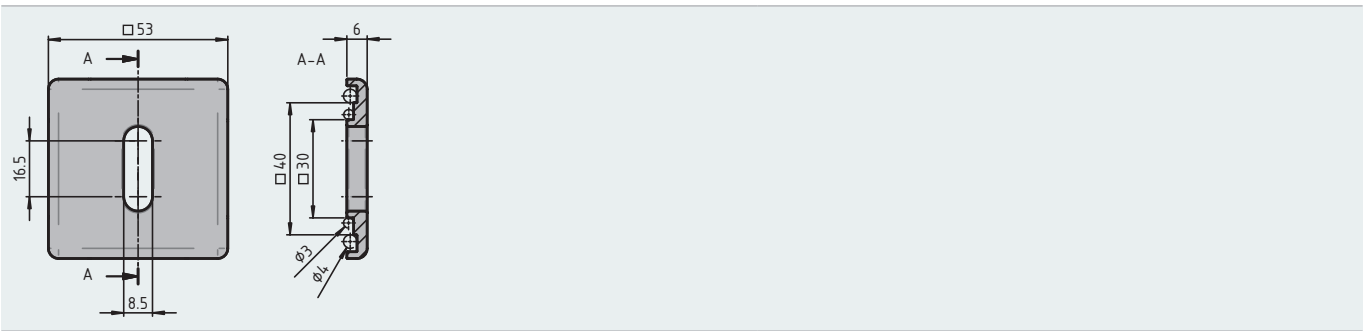
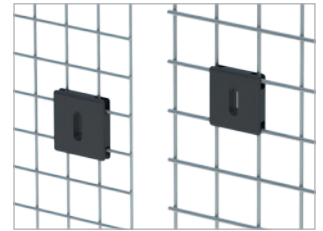
DESIGNATION	COLOUR	ESD	ARTICLE NUMBER
End fitting 30 × 45	Signal grey		3842554710
End fitting 30 × 45	Black		3842554711

Clamping element

Use to fasten handles, info boards or warning signs on wave grids 40 × 40 × 4 and 30 × 30 × 3.

Clamping is enabled by tightly fitting two clamping elements.

Material: Black plastic (PA)

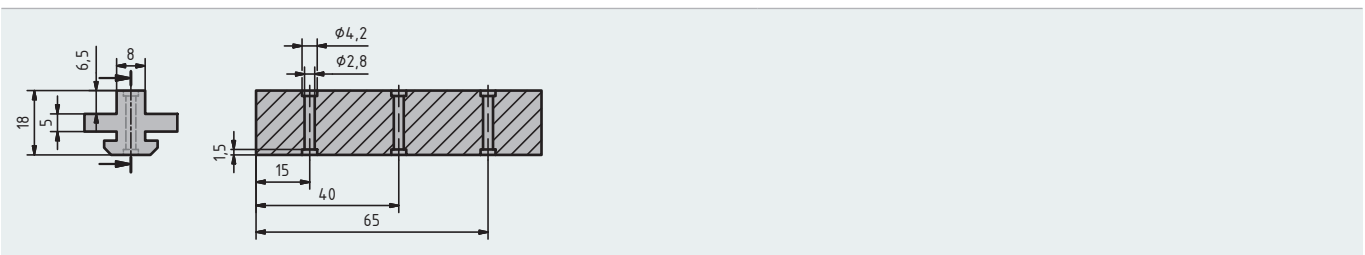
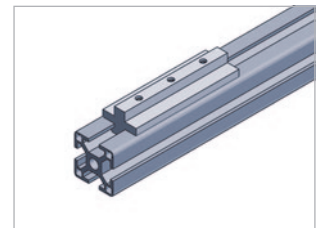


DESIGNATION	ARTICLE NUMBER
Clamping element WG30; WG40	402523308

Glide

Use to make low-wear guides of sliding doors, for example.

Material: POM, natural colour



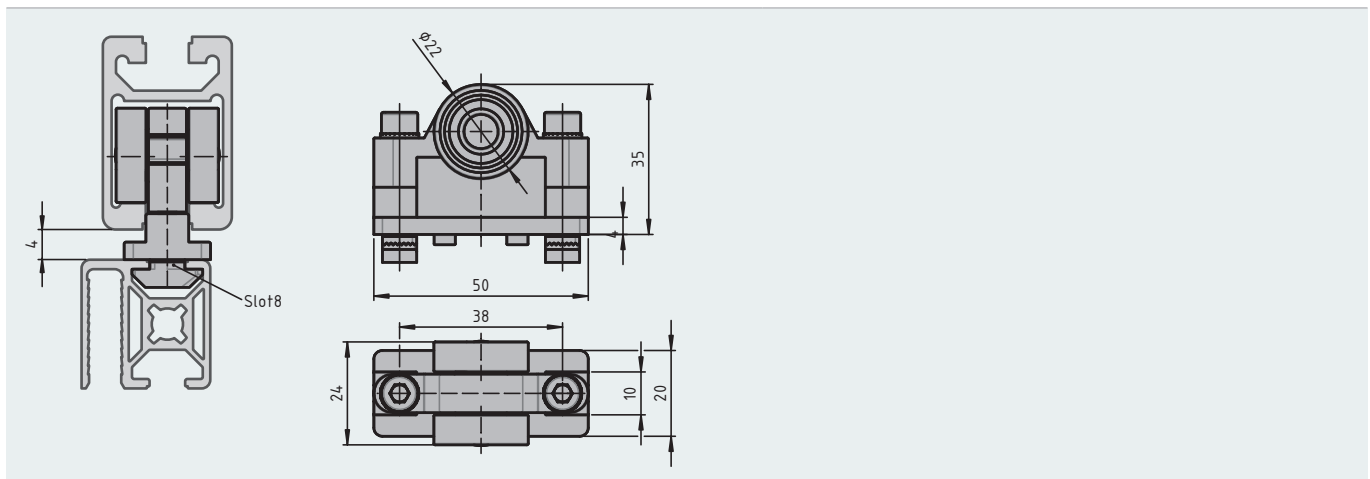
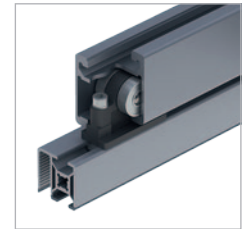
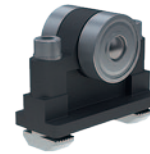
DESIGNATION	SLOT	ARTICLE NUMBER
Centred glide	8	3842523210

Carriage

Dust-proof ball bearings ensure smooth running.

Material: PA; black/galvanised steel

Mounting material: Galvanised steel



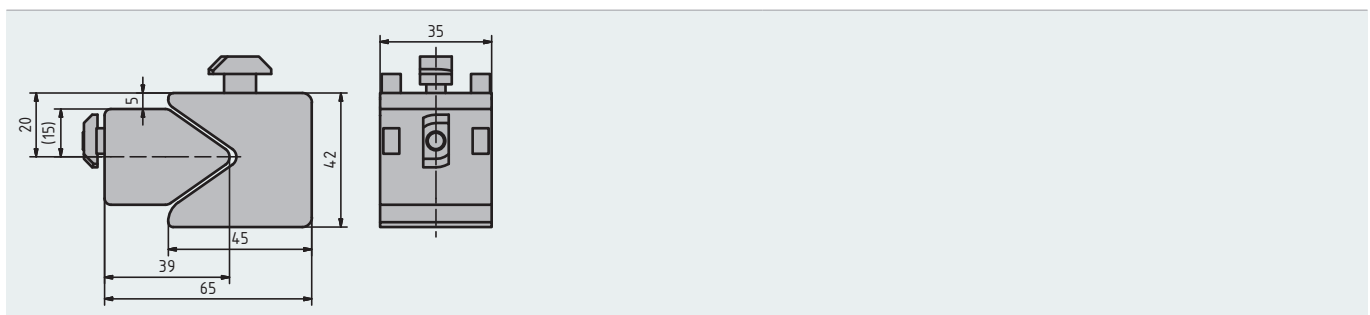
DESIGNATION	ARTICLE NUMBER
Carriage and mounting material	402524153

Stopper set

Cushions the closing door.

Material: black PA

Mounting material: Galvanised steel

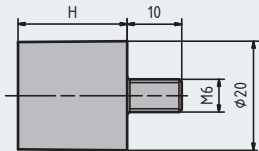


DESIGNATION	ARTICLE NUMBER
Stopper set and mounting material	3842524490

Buffer stop

Cushions the stop.

Material: Rubber; hardness: 55° Shore A



Art. 402510462

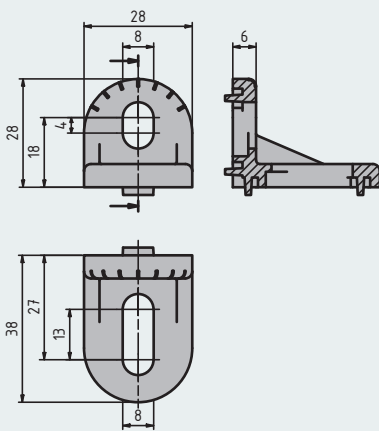
DESIGNATION	ARTICLE NUMBER
Buffer stop 20 × 20 M6 × 10	402510462

Bracket

Use to mount the profile rail on brace profiles with 10 mm slot.

Material: Die-cast zinc

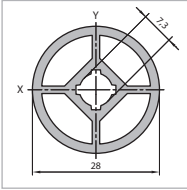
Mounting material: Galvanised steel



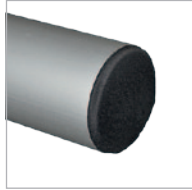
Pivot bracket 30 × 30

DESIGNATION	SLOT	ESD	ARTICLE NUMBER
Pivot bracket 30 × 30 with mounting kit	10	Yes	412521580

ROUND PIPES



Page 11|3
Round pipe D28



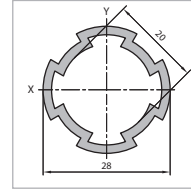
Page 11|3
Round pipe cap
D28



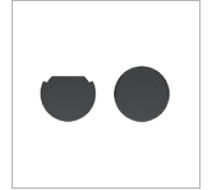
Page 11|3
Round pipe bracket



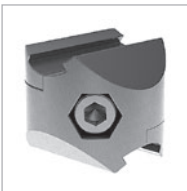
Page 11|4
T-connector D28



Page 11|4
Round pipe D28L



Page 11|5
Round pipe cap
D28L



Page 11|5
Cross connector



Page 11|6
Corner bracket



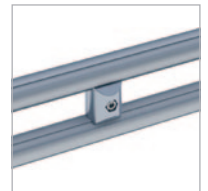
Page 11|6
45° connector for
round pipes



Page 11|7
90° connector for
round pipes



Page 11|8
Corner bracket D28
90° - round pipe



Page 11|8
Parallel connector



Page 11|9
0-90° connector



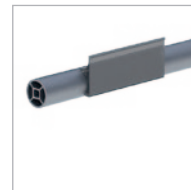
Page 11|10
Round pipe
connector



Page 11|10
Variofix block for
round pipes



Page 11|11
Slide rail for round
pipe



Page 11|12
Label clip for round
pipes



Page 11|12
Pipe clamp



Page 11|13
Adapter panel set
D28



Page 11|13
T-connector panel
D28



Page 11|14
Threaded sleeve
D28L

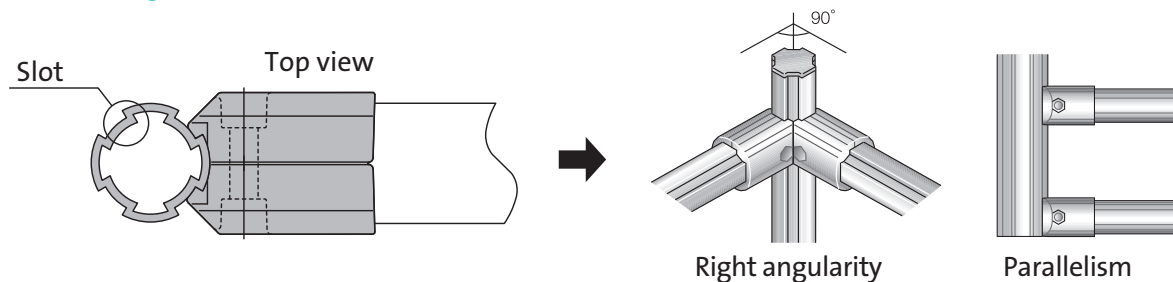
Round pipe series

Aluminium frames and coated steel frames

1 Environment

- Highly recyclable
- Whereas coated steel frames are not easy to recycle, GR-series aluminium frames are distinguished for their excellent recyclability.

2 Mounting made two times faster



The frame features a double slot in each of the four directions. Like this, a single bolt is enough to put it a coupling link.

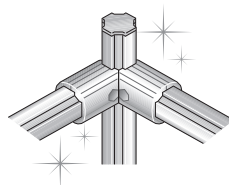
The slot ensures that the result is parallel and at a right angle in every direction.



Installation by a single bolt makes coupling links easy to mount and remove.

3 Appearance

The anodised surface ensures that the appearance remains perfect without care for a very long time.



Coated steel frames

The coating wears off and causes dust in the course of time.

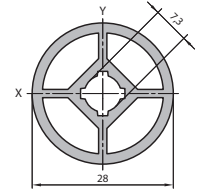
Round pipe D28



Slot 10

Use to build cross beams of shelves and workplaces

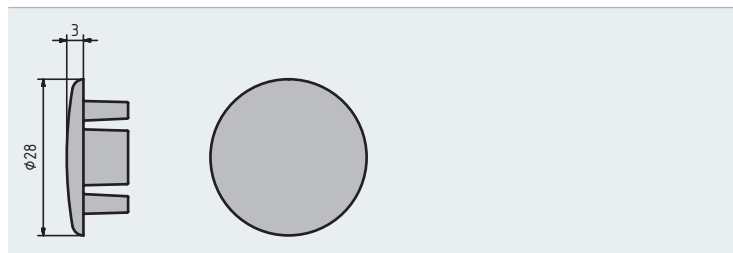
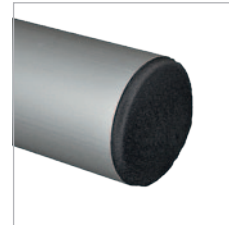
Article number	401535118 (20 bars, 6000 mm each) 401993317 / max. length: 6000 mm
Profile	D28
Mass	0.71 kg
Moment of inertia	$I = 1.61 \text{ cm}^4$
Section modulus	$w = 1.61 \text{ cm}^3$
Profile surface	$A = 2.63 \text{ cm}^2$



M8 thread supported at the face end

Round pipe cap D28

Material: Black plastic (PA)



DESIGNATION	ARTICLE NUMBER
Round pipe cap	408541195

Round pipe bracket D28

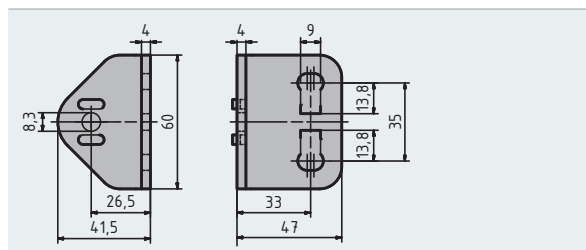


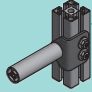
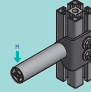
Use to mount a round pipe D28 on a brace profile with 10 mm slot. Installation is made easy by the easily adjustable mounting height.

Material: Galvanised steel

Package includes mounting kit

Mounting instruction: ESD-ready only if using hammer head nuts
Drill a M8 thread for installation in a round pipe or install using the S7 x 25 screw



DESIGNATION	F=	M=	ARTICLE NUMBER
Round pipe bracket	 3000 N	 25 Nm	408536002

T-connector D28

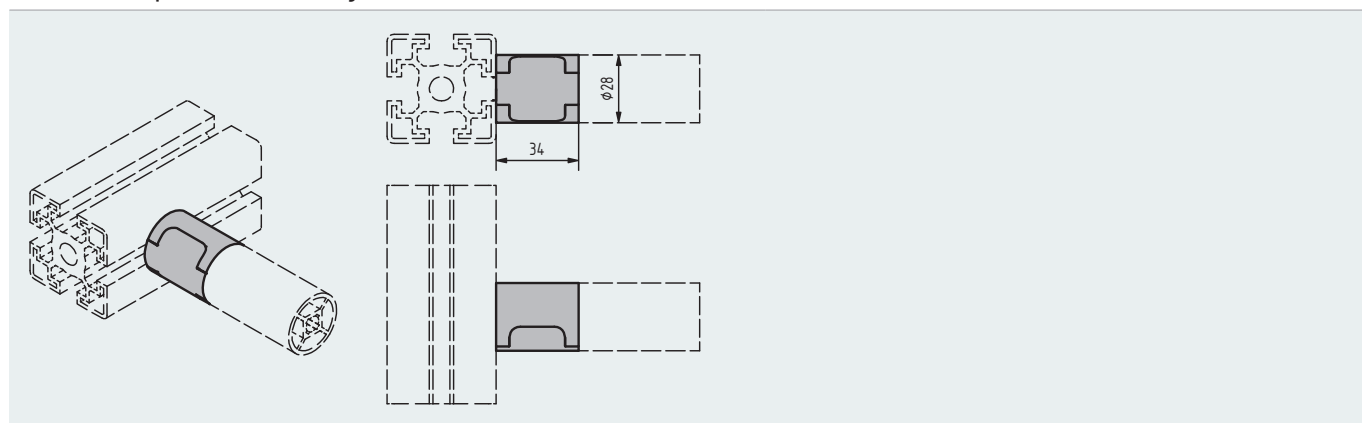


Use to mount a round pipe profile with outer diameter $\varnothing 28$ mm on a slot 10 aluminium profile

Material: Connector: Uncoated die-cast aluminium
 Cap: black plastic (PA), fibreglass-reinforced
 Mounting kit: 1x S8 x 25 screw, galvanised steel plus 1x M8 x 20 hammer head screw, 1x M8 flanged nut



Note: The cap is not ESD-ready

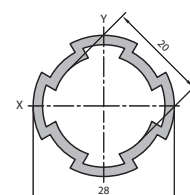


DESIGNATION	SLOT	WEIGHT (g)	F=	M=	ARTICLE NUMBER
T-connector D28	10	62.0	900 N	20 Nm	408532879

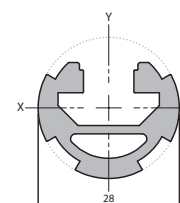
Round pipe system D28L, D28L; N10

Round pipe system for the professional construction of workplaces, material carts, shelves and many other applications according to requirements

Article number	401541211 (20 bars, 6000 mm each) 401996191 / max. length: 6000 mm
Profile	D28L
Mass	0.483 kg/m
Moment of inertia	$I = 1.33 \text{ cm}^4$
Section modulus	$w = 0.50 \text{ cm}^3$
Profile surface	$A = 1.79 \text{ cm}^2$



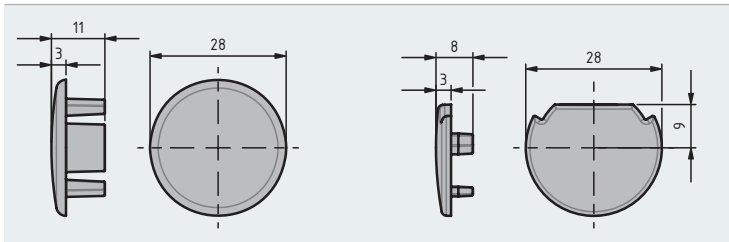
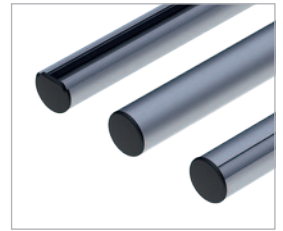
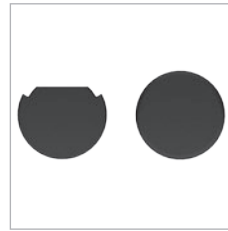
Article number	411541213 (20 bars, 6000 mm each) 411996192 / max. length: 6000 mm
Profile	D28L Nut10
Mass	0.71 kg/m
Moment of inertia	$I_x = 1.02 \text{ cm}^4$; $I_y = 1.97 \text{ cm}^4$
Section modulus	$W_x = 0.88 \text{ cm}^3$; $W_y = 1.41 \text{ cm}^3$
Profile surface	$A = 2.63 \text{ cm}^2$



Round pipe cap D28L; D28L N10



Material: Black plastic (PA)

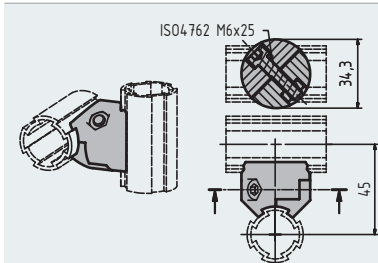
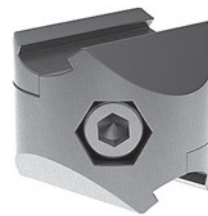


DESIGNATION	ARTICLE NUMBER
Round pipe cap	408541195
Cap D28L, N10	408541194

Cross connector

Material: Die-cast aluminium

Package includes mounting material

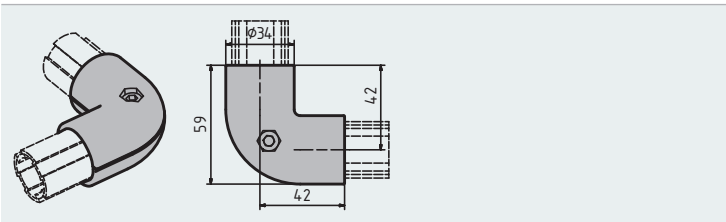


DESIGNATION	F =	M =	ARTICLE NUMBER
Cross connector			408541181
	900 N	30 Nm	

Corner bracket

Material: Die-cast aluminium

Package includes mounting material



Pipe add-on without slot lock: 16.5^{-0,5}
 Pipe add-on with slot lock: 22.0^{-0,5}

DESIGNATION	ARTICLE NUMBER
Corner bracket	408541188

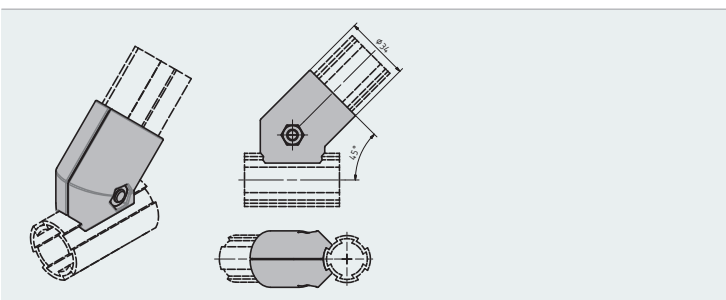
Corner bracket loads

<p>F1</p>	<p>F2</p>	<p>M1</p>	<p>M2</p>
500 N	300 N	50 Nm	50 Nm

45° connector

Material: Die-cast aluminium

Package includes mounting material



Pipe add-on without slot lock: 16.5^{-0,5}
 Pipe add-on with slot lock: 22.0^{-0,5}

DESIGNATION	ARTICLE NUMBER
45° connector	408541175

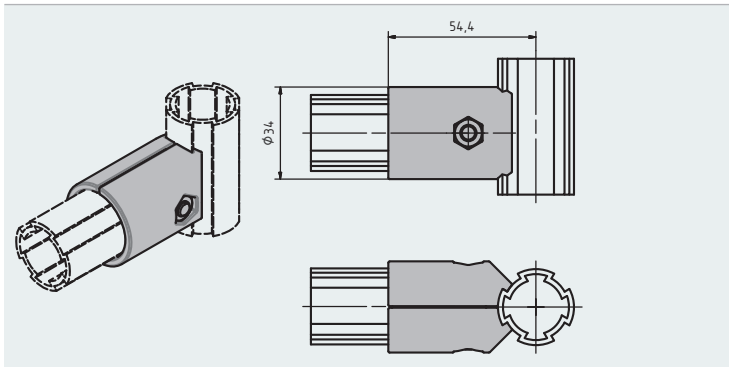
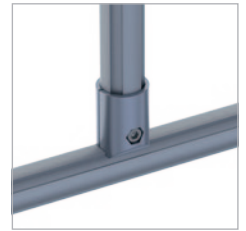
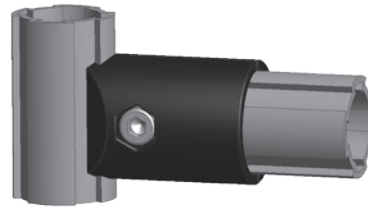
45° connector loads

<p>F1=</p>	<p>F2=</p>
408541175	400 N

90° connector

Material: Die-cast aluminium

Package includes mounting material



DESIGNATION

90° connector

ARTICLE NUMBER

408541173

Pipe add-on without slot lock: $16,5^{-0,5}$

Pipe add-on with slot lock: $22,0^{-0,5}$

90° connector loads

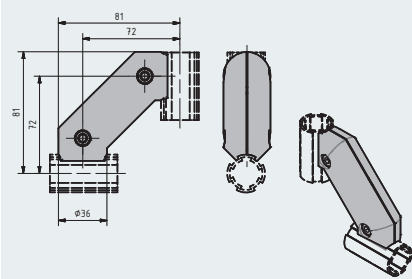
	F1	F2	M
D28L/D28L	900 N	500 N	30 Nm
D28L/D28	900 N	300 N	15 Nm

Corner bracket

Stiffens a 90° corner joint of two round pipe profiles, Ø 28 mm

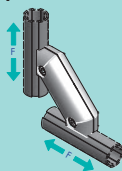
Material: Uncoated die-cast aluminium

Package includes mounting material (M6 × 25 screw, M6 nut)

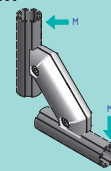


DESIGNATION

F =



M =



ARTICLE NUMBER

Corner bracket D28 90°

900 N

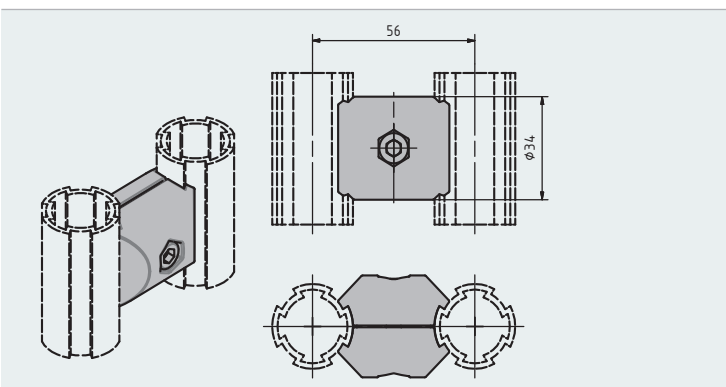
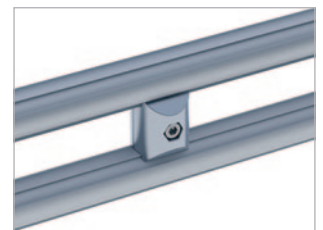
80 Nm

408541191

Parallel connector

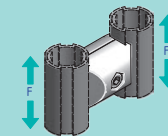
Material: Die-cast aluminium

Package includes mounting material



DESIGNATION

F =



ARTICLE NUMBER

Parallel connector

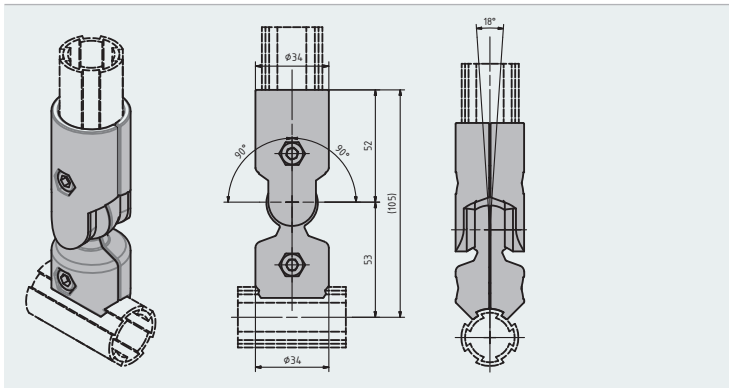
900 N

408541183

0-90° connector

Material: Die-cast aluminium

Package includes mounting material



Pipe add-on without slot lock: 16.5^{-0,5}
 Pipe add-on with slot lock: 22.0^{-0,5}

DESIGNATION	ARTICLE NUMBER
0-90° connector	408541178

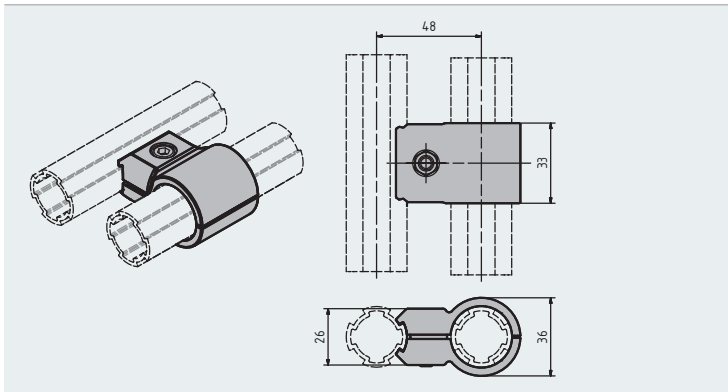
0-90° connector loads

	F1	F2	M
D28L/D28L	900 N	500 N	5 Nm
D28L/D28	900 N	300 N	5 Nm

Round pipe connector

Material: Die-cast aluminium

Package includes mounting material



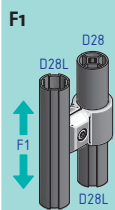
DESIGNATION

Round pipe connector

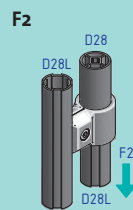
ARTICLE NUMBER

408541189

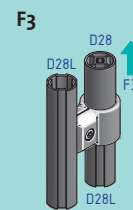
Round pipe connector loads



900 N



400 N



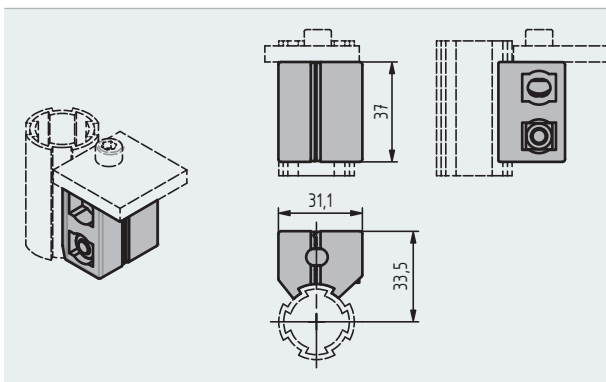
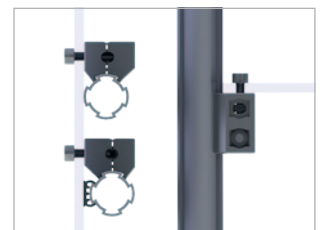
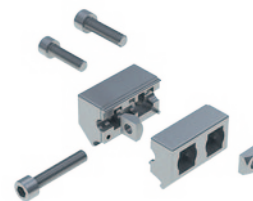
500 N

Variofix block, die-cast zinc

For fastening surface elements

Material: Connector: die-cast zinc

Mounting kit: galvanised steel



DESIGNATION

Variofix block for round pipes

ARTICLE NUMBER

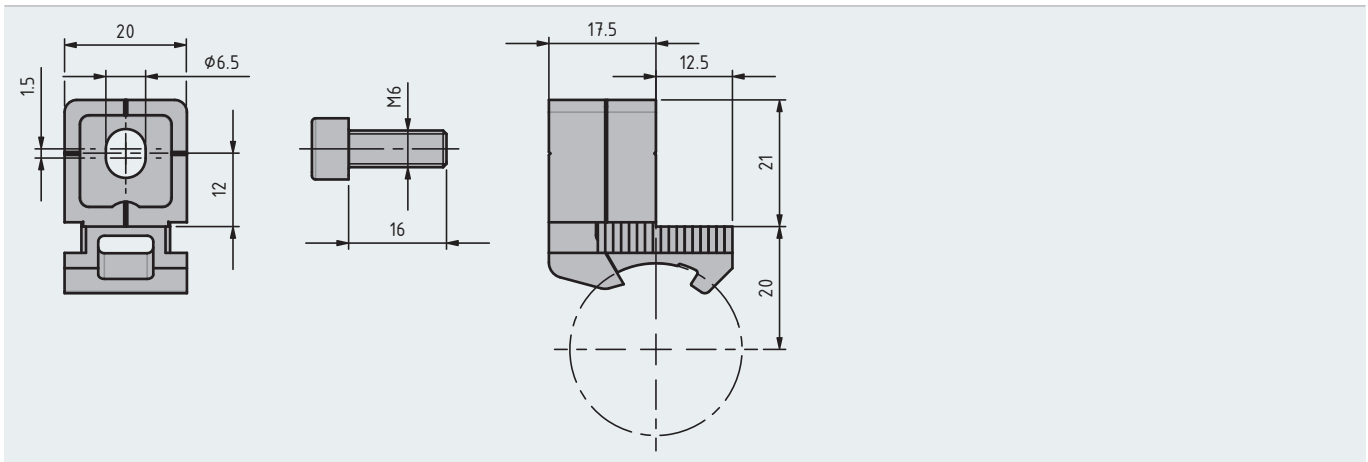
408543494

Variofix block for round pipe D28

For fastening surface elements up to 8 mm thick.

Material: Black plastic (PA66)

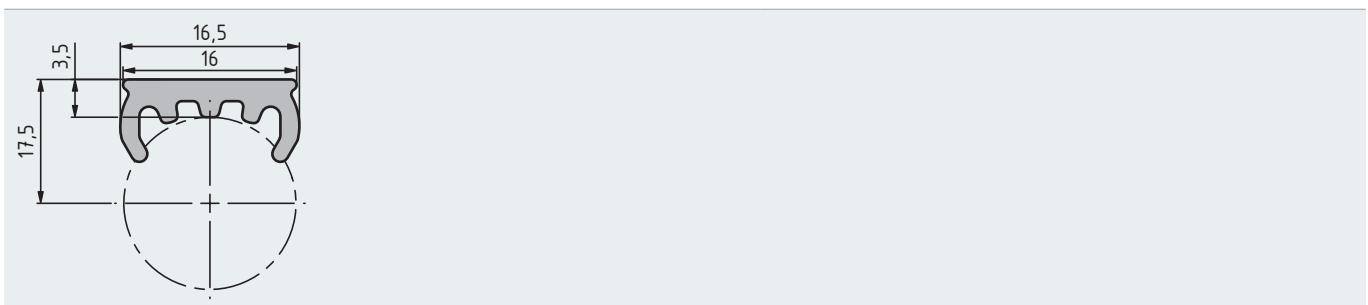
Mount: mounting material M6 × 15 (ISO4762); M6 (DIN557), M5 × 10 screw included



DESIGNATION	ESD	ARTICLE NUMBER
Variofix block, plastic		408543311

Slide rail for round pipes D28L

Easy way of building a conveyor track or pushing section by simply clipping the slide rail onto round pipe D28L

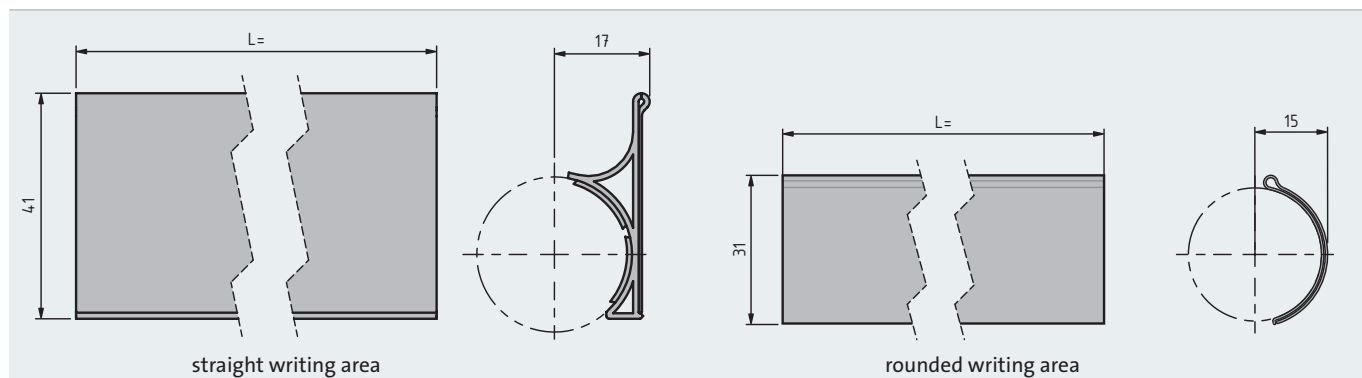
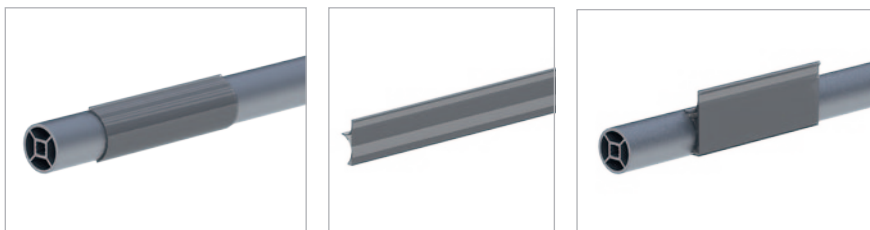


DESIGNATION	LENGTH (mm)	ESD	MATERIAL	ARTICLE NUMBER
Slide rail	2000		PVC; grey similar to RAL7035	408541196
Slide rail	2000		PVC, black similar to RAL 9005	408541197

Label clip for round pipe D28; D28L

Choose from adhesive label clip with straight or rounded writing area.

Material: Rigid PVC; grey similar to RAL7035

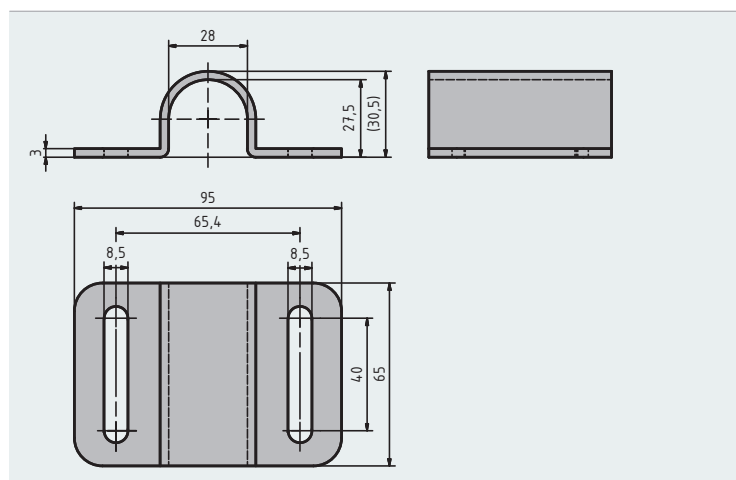


DESIGNATION	L = (mm)	MATERIAL	ARTICLE NUMBER
Label clip with straight writing area	2000 mm	Rigid PVC; grey similar to RAL7035	408537119
Label clip with straight writing area	120 mm	Rigid PVC; grey similar to RAL7035	408537652
Label clip with rounded writing area	2000 mm	Rigid PVC, transparent	408535136
Label clip with rounded writing area	120 mm	Rigid PVC, transparent	408538093

Pipe clamp D28/N10

For mounting material shelves with slot 10 on round pipe D28L; tilt angles up to 30° are supported

Material: galvanised steel



DESIGNATION	ARTICLE NUMBER
Pipe clamp	408541193

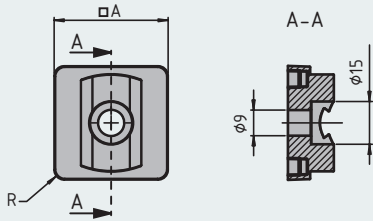
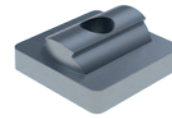
Adapter panel set D28

For connecting round pipe profiles to slot 10 aluminium profiles

Material: Adapter panel: uncoated die-cast aluminium

Slot lock: Uncoated die-cast zinc

Set: Adapter panel & 2 slot locks



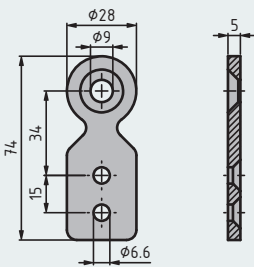
DESIGNATION	N	A (mm)	R (mm)	ARTICLE NUMBER
Adapter panel set D28	10	40	4	408536010
Adapter panel set D28	10	45	3	408536011

T-connector panel D28

new

For connecting a round pipe profile (outer diameter \varnothing 28 mm) to an aluminium profile by a screw in the M8 core hole of the \varnothing 28 mm round pipe profile or in the D28 M8 threaded sleeve for round pipe profiles \varnothing 28 mm

Material: Galvanised steel



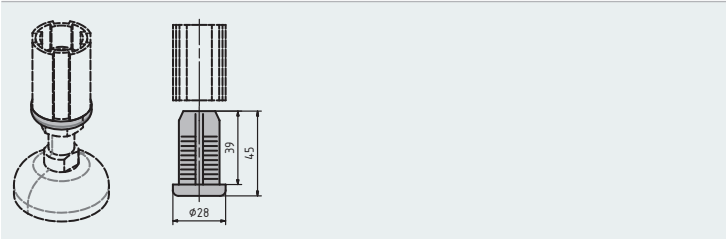
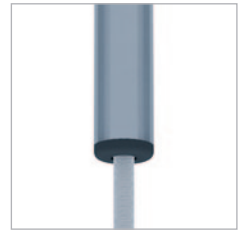
DESIGNATION	WEIGHT (g)	ARTICLE NUMBER
T-connector panel D28	52.3	408541186

Threaded sleeve D28L

For integrating a hinged foot or a steering castor.

Material: black plastic (PA); hex nut: galvanised steel

Thread: M12



DESIGNATION	F=	ARTICLE NUMBER
Threaded sleeve D28L	1300 N	408541185

ACCESSORIES



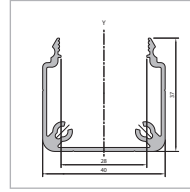
Page 12|2
Buffer stop



Page 12|2
Cable tie mount



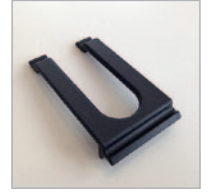
Page 12|3
Quick-acting
opener



Page 12|4
Cable duct and
cover



Page 12|6
Cable duct cap



Page 12|7
Feed-through



Page 12|7
Carrier profile



Page 12|8
Wall profile

Buffer stop

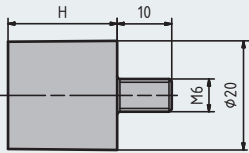
Dampens impact and noise from doors, flaps and hoods.

Material: Buffer: Natural rubber (NR) ≈ 55 Shore A

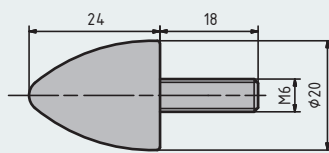
Threaded part: Steel

Surface: Threaded part: galvanised

On-site accessories: nut, M6 hammer head nut



Art. 402510464
Art. 402510462



Art. 408510165

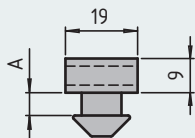
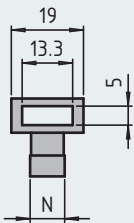
DESIGNATION	H (mm)	ARTICLE NUMBER
Buffer stop 20 × 15	15	402510464
Buffer stop 20 × 20	20	402510462
Buffer stop 20 × 24	24	408510165

Cable tie mount for slot 8 & slot 10

Fastens cables on a profile; mounts by turning the device in the slot by a quarter turn.

Material: Plastic (PA), fibreglass-reinforced

Colour: black



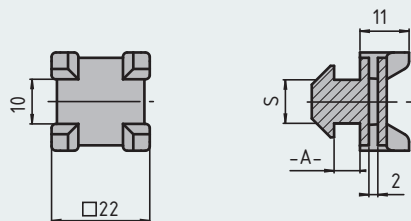
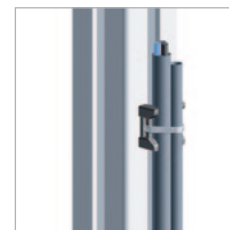
DESIGNATION	A =	SLOT	ARTICLE NUMBER
Cable tie mount	1.8 mm	8	485400300
Cable tie mount	5.9 mm	10	415400301

Cross cable tie mount

Fastens cables along or across a profile; mounts by turning the device in the slot by a quarter turn.

Cable ties to be provided on site

Material: plastic (PA)

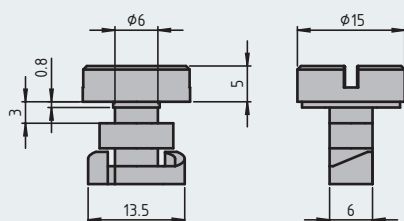
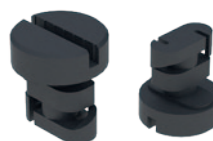


DESIGNATION	A =	SLOT	ARTICLE NUMBER
Cross cable tie mount	2.1 mm	8	485526565
Cross cable tie mount	5.8 mm	10	415526564

Quick-acting opener

Use to mount standard cable ducts on aluminium profiles.

Material: Plastic (PA), fibreglass-reinforced



DESIGNATION	SLOT	WEIGHT (g)	ARTICLE NUMBER
Quick-acting opener	10	3.0	412146920

Cable duct & cover



Use to make installation ducts of various sizes.

Screw in screws from the top side of the cover in order to keep the cover profile in place and to create an electric connection between the cover and the duct.

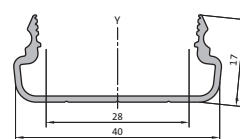
Screw strips at the bottom of the duct allow you to attach cable ties or other elements.

Material: Anodised aluminium

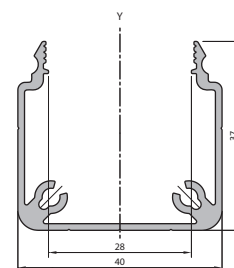
Mounting instruction: ESD-ready only if using notched slot nuts.

Note: Screw to be provided by customer; recommended screw: Self-tapping screw St 4.2 × 9.5 (DIN7981) - provide a 3.5 diameter hole in the cover

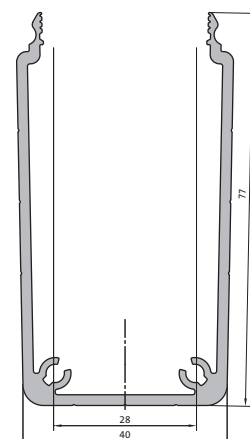
CABLE DUCT 40 × 20 new	
Article number	201402000 (12 bars, 3000 mm each) 201402999 / ... max. length: 3000 mm
Profile	Cable duct 40 × 20
Mass	0.26 kg/m
Profile surface	A = 0.96 cm ²
Radius	R4



CABLE DUCT 40 × 40	
Article number	201404000 (12 bars, 3000 mm each) 201404999 / ... max. length: 3000 mm
Profile	Cable duct 40 × 40
Mass	0.58 kg/m
Profile surface	A = 2.16 cm ²
Radius	R4

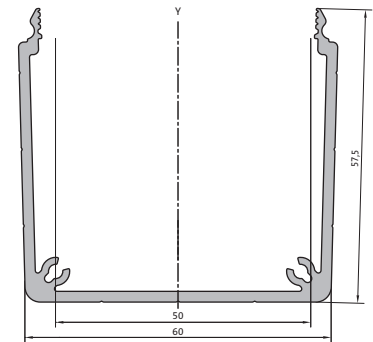


CABLE DUCT 40 × 80 new	
Article number	201804100 (12 bars, 3000 mm each) 201804199 / ... max. length: 3000 mm
Profile	Cable duct 40 × 80
Mass	1.19 kg/m
Profile surface	A=4.41 cm ²
Radius	R4



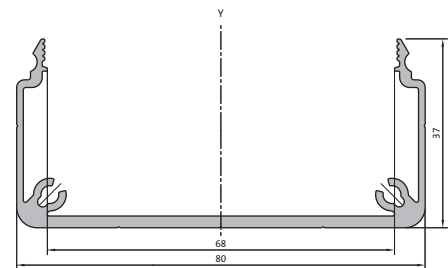
CABLE DUCT 60 × 60 new

Article number	201606000 (12 bars, 3000 mm each) 201606999 / ... max. length: 3000 mm
Profile	Cable duct 60 × 60
Mass	1.07 kg/m
Profile surface	A = 3.96 cm ²
Radius	R4



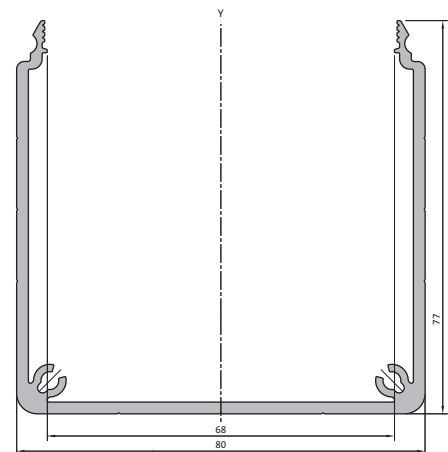
CABLE DUCT 80 × 40E

Article number	201408000 (12 bars, 3000 mm each) 201408999 / ... max. length: 3000 mm
Profile	Cable duct 80 × 40E
Mass	0.91 kg/m
Profile surface	A = 3.38 cm ²
Radius	R4



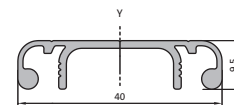
CABLE DUCT 80 × 80

Article number	201808000 (12 bars, 3000 mm each) 201808999 / ... max. length: 3000 mm
Profile	Cable duct 80 × 80
Mass	1.53 kg/m
Profile surface	A = 5.67 cm ²
Radius	R4

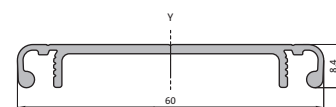


DUCT COVER 40

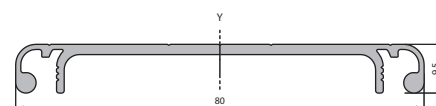
Article number	201400000 (12 bars, 3000 mm each) 201400999 / ... max. length: 3000 mm
Profile	Duct cover 40
Mass	0.31 kg/m
Profile surface	A = 5.7 cm ²
Radius	R4


DUCT COVER 60 new

Article number	201600000 (8 bars, 3000 mm each) 201600999 / ... max. length: 3000 mm
Profile	Duct cover 60
Mass	0.393 kg/m
Profile surface	A = 1.45 cm ²
Radius	R4


DUCT COVER 80

Article number	201800000 (8 bars, 3000 mm each) 201800999 / ... max. length: 3000 mm
Profile	Duct cover 80
Mass	0.55 kg/m
Profile surface	A = 2.04 cm ²
Radius	R4



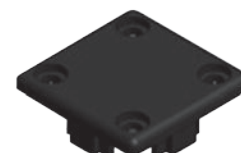
Cable duct cap

Covers the face end of cable ducts.

Mounts easily; screwing on the caps ensures a tight fit.

Material: black plastic (PA); fibreglass-reinforced

Note: screws not included, recommended screw: tin screw DIN7981 St4, 2x 16



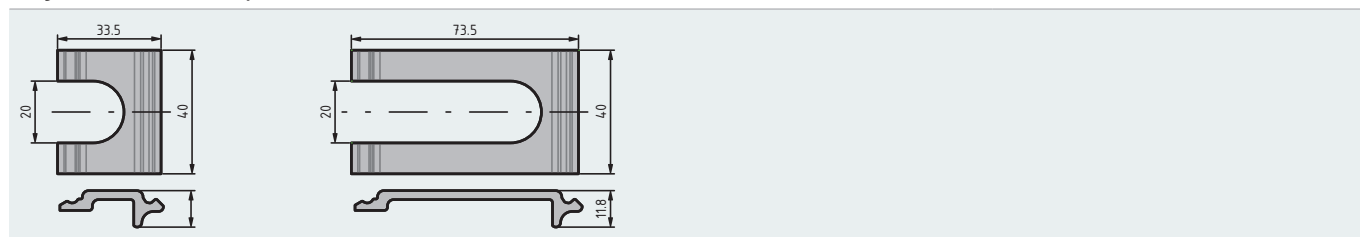
DESIGNATION	ARTICLE NUMBER
Cap 40 × 40	201404010
Cap 40 × 80	201408010
Cap 40 × 120	201401200
Cap 40 × 160	201401600
Cap 80 × 80	201808010
Cap 80 × 120	201801200
Cap 80 × 160	201801600
Cap 120 × 120	201120120
Cap 120 × 160	201120160

Feed-through

Reliably covers cutting edges.
Easy feeding in and out of cables.
Designed as opening in the wall profile.

Material: Black plastic (PA)

Note: use for aluminium cable ducts with separate sides/bottom and cover profiles only (i.e. not for complete cable ducts)



DESIGNATION	ARTICLE NUMBER
Wall feed-through 40	201404020
Wall feed-through 80	201808020

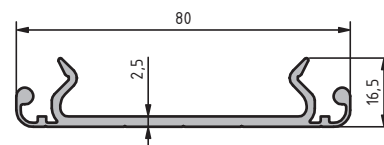
Carrier profile

Makes up the bottom and cover of the modular duct system.
Combine wall and carrier profiles to build modular ducts for laying cables and hoses.
The duct profile opens and closes from various sides by means of a screwdriver. To build or assemble a duct, simply pivot the wall profiles into the carrier profiles.

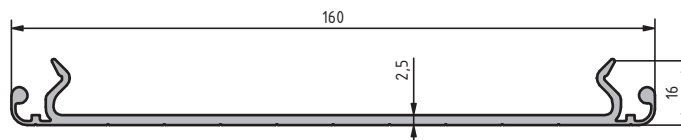
Material: Anodised aluminium



CARRIER PROFILE 80	
Article number	201280000 (10 bars 3000 mm each) 281280999 / ... max. length: 3000 mm
Profile	Carrier profile 80
Mass	0.73 kg/m
Moment of inertia	$I_y = 17.37 \text{ cm}^4$; $I_x = 0.44 \text{ cm}^4$
Section modulus	$W_y = 4.34 \text{ cm}^3$; $W_x = 0.34 \text{ cm}^3$
Profile surface	$A = 2.69 \text{ cm}^2$



CARRIER PROFILE 160	
Article number	201260000 (10 bars 3000 mm each) 281260999 / ... max. length: 3000 mm
Profile	Carrier profile 160
Mass	1.26 kg/m
Moment of inertia	$I_y = 119.64 \text{ cm}^4$; $I_x = 0.52 \text{ cm}^4$
Section modulus	$W_y = 14.96 \text{ cm}^3$; $W_x = 0.38 \text{ cm}^3$
Profile surface	$A = 4.67 \text{ cm}^2$



Wall profile

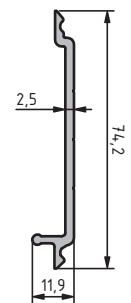
Makes up the side walls of the modular duct system. Combine wall and carrier profiles to build modular ducts. The duct profile opens and closes from various sides by means of a screwdriver. To build or assemble a duct, simply pivot the wall profiles into the carrier profiles.

Material: Anodised aluminium



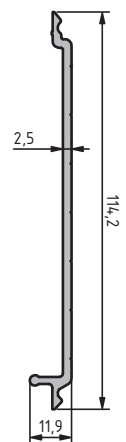
WALL PROFILE 40

Article number	201080000 (10 bars 3000 mm each) 201080999 / ... max. length: 3000 mm
Profile	Wall profile 80
Mass	0.55 kg/m
Moment of inertia	$I_y = 0.11 \text{ cm}^4$; $I_x = 9.44 \text{ cm}^4$
Section modulus	$W_y = 0.12 \text{ cm}^3$; $W_x = 2.38 \text{ cm}^3$
Profile surface	$A = 2.03 \text{ cm}^2$



WALL PROFILE 120

Article number	201120000 (10 bars 3000 mm each) 281120999 / ... max. length: 3000 mm
Profile	Wall profile 120
Mass	0.82 kg/m
Moment of inertia	$I_y = 0.13 \text{ cm}^4$; $I_x = 34.29 \text{ cm}^4$
Section modulus	$W_y = 0.12 \text{ cm}^3$; $W_x = 5.71 \text{ cm}^3$
Profile surface	$A = 3.03 \text{ cm}^2$



TOOLS



Page 13|2
Drilling jig



Page 13|4
Screwdriver bit



Page 13|4
Set of Allen keys



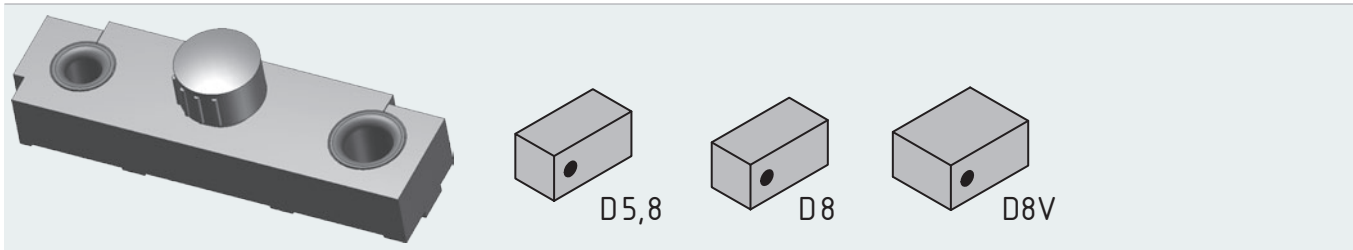
Page 13|4
General-purpose shears



Page 13|5
Screwdriver

Drilling jig – slot 6 mm

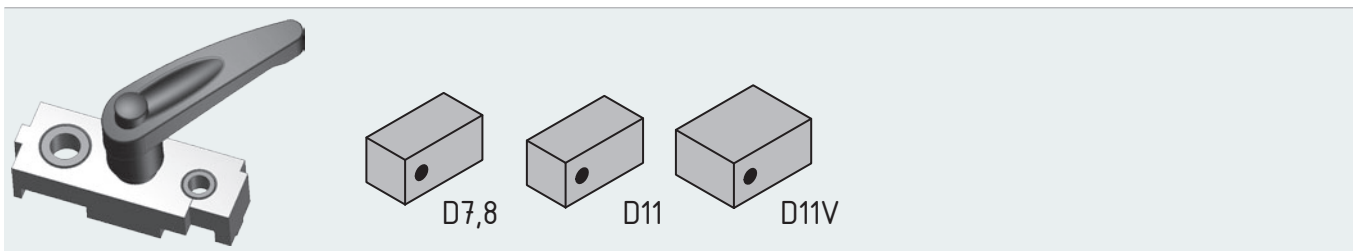
Use to drill standard holes for the connector range.
 Locating surfaces and edges let you place the holes in the correct place.
 Mounting material included.



DESIGNATION	ARTICLE NUMBER
Drilling jig – slot 6 mm	462537556

Drilling jig – slot 8 mm

For through-holes ($\varnothing 7.8$) for six-lobe screwdrivers T40.
 For mounting hole ($\varnothing 11$) for quick-acting connectors.
 Mounting material included.



DESIGNATION	ARTICLE NUMBER
Drilling jig – slot 8 mm	482528577

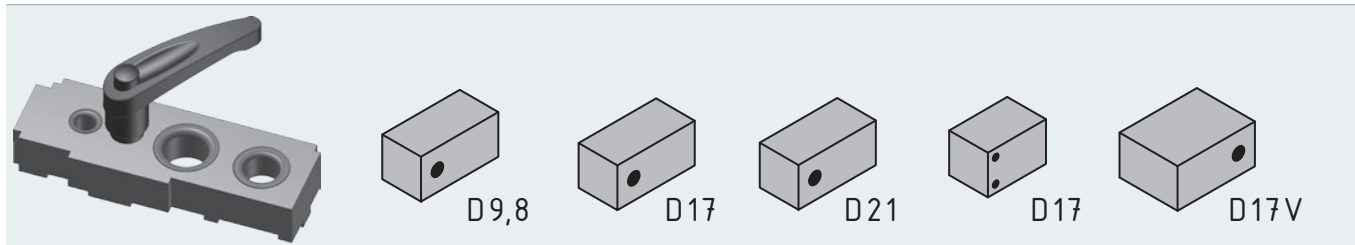
Drilling jig – slot 10 mm, spacing 45.60

For mounting hole (Ø 17) for bolt or quick-acting connectors and threaded sleeves.

For through-holes (Ø 9.8) for six-lobe screwdrivers T50.

For countersinks (Ø 21) for pneumatic ports.

Mounting material included.



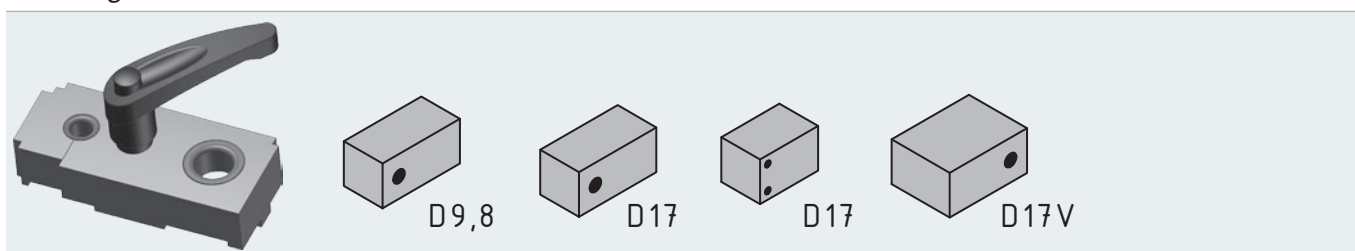
DESIGNATION	ARTICLE NUMBER
Drilling jig, slot 10 mm, spacing 45.60	412528574

Drilling jig – slot 10 mm, spacing 40.50

For mounting hole (Ø 17) for bolt or quick-acting connectors and threaded sleeves.

For through-holes (Ø 9.8) for six-lobe screwdrivers T50.

Mounting material included.

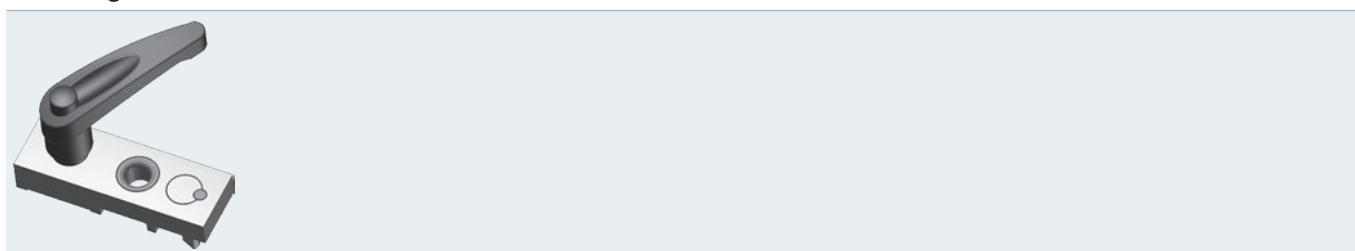


DESIGNATION	ARTICLE NUMBER
Drilling jig, slot 10 mm, spacing 40.50	412530400

Drilling jig for mitred profiles – slot 8 mm

For mounting hole (Ø 11) for flexible quick-acting connectors.

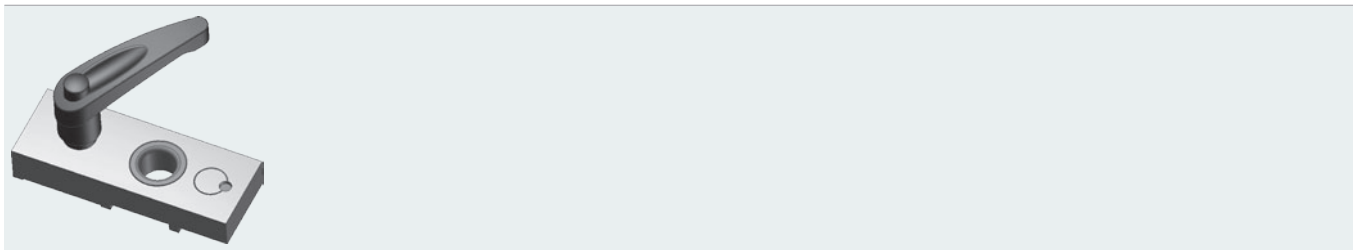
Mounting material included.



DESIGNATION	ARTICLE NUMBER
Drilling jig, slot 8 mm – for mitred profiles	482516729

Drilling jig for mitred profiles – slot 10 mm

For mounting hole ($\varnothing 17$) for flexible quick-acting connectors.
Mounting material included.



DESIGNATION	ARTICLE NUMBER
Drilling jig, slot 10 mm – for mitred profiles	412516731

Screwdriver bit

Use to check the tightening torque of highly stressed screw connections.
Hexagon socket screwdriver, width across flats: 5
1/4" square drive for use with a torque wrench.

Material: Chrome vanadium steel, matt chrome plating



DESIGNATION	AF	TOTAL LENGTH	ARTICLE NUMBER
Screwdriver bit	5	100 mm	202528700

Safety Allen wrench bit AF1.5-6

For all safety connection.
Offset shaft with optimised leg lengths.
Extremely hard and tough.
Nickel-plated and powder-coated surface with obvious "Rainbow" colour code to make it easier to find.

Material: Nickel-plated and powder-coated surface



DESIGNATION	ARTICLE NUMBER
Safety Allen wrench bit AF1.5-6	1 set (1.5;2;2.5;3;4;5;6) 202528800

General-purpose shears

Steel sheet body, cutting edge of special steel (PTFE non-stick coating), light metal cutter rest (anvil). Easy oblique shearing.
Plastic-coated and slip-protected handles
High-gloss chrome plated shears.

Usage: To cut rubber, leather, plastic and wooden profiles



DESIGNATION	LENGTH	ARTICLE NUMBER
General-purpose shears	200 mm	202528900

Screwdriver

Straight hex socket shaft with ball head.

1.5 mm Kraftform handle of impact-proof plastic with integrated soft zones.

Blade of high-quality tool steel.

Surface: matt chrome plated, black tip



DESIGNATION	AF (mm)	BLADE LENGTH (mm)	TOTAL LENGTH (mm)	ARTICLE NUMBER
Screwdriver	1.5	60	89	202528850
Screwdriver	2	80	169	202528851
Screwdriver	3	100	181	202528852
Screwdriver	4	100	198	202528853
Screwdriver	5	100	205	202528854
Screwdriver	6	125	230	202528855
Screwdriver	8	150	262	202528856
Screwdriver	10	150	262	202528857

T handle screwdriver

Comfortable plastic multi-component T handle.

Blade of chrome plated chrome vanadium steel.

T handle with lateral friction.

Creates the maximum torque for tightening the specified screws.



DESIGNATION	AF (mm)	ARTICLE NUMBER
T handle screwdriver	3	202528870
T handle screwdriver	4	202528871
T handle screwdriver	5	202528872
T handle screwdriver	6	202528873
T handle screwdriver	8	202528874
T handle screwdriver	10	202528875

WORKPLACE ACCESSORIES



Page 14|2
Workplace



Page 14|3
Feeder unit



Page 14|4
Material cart



Page 14|5
Spring balancer



Page 14|6
Lifting units



Page 14|9
LED system lamp



Page 14|10
Dimmer module



Page 14|13
System lamp



Page 14|15
Multiple socket,
power strip unit



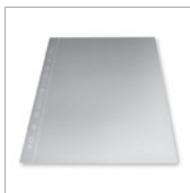
Page 14|16
Cables



Page 14|17
GST plug



Page 14|17
Info board



Page 14|18
Sheet protectors



Page 14|18
Display pocket



Page 14|18
Sliding keyboard
shelf



Page 14|19
4-axle display
support



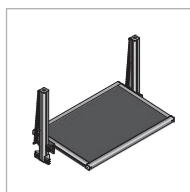
Page 14|19
5-axle display
support



Page 14|20
Display support



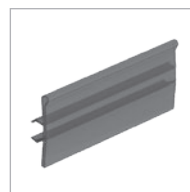
Page 14|20
PC mount



Page 14|21
Footrest



Page 14|25
Cup holder



Page 14|26
Label clips



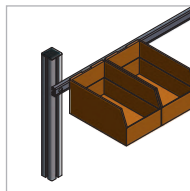
Page 14|27
Chest of drawers



Page 14|27
Chairs



Page 14|28
Bottle holder



Page 14|28
Clip-in profile



Page 14|29
Grab container



Page 14|29
Slot 10 grab tray



Page 14|30
Slot 10 grab tray,
105 x 153.5 mm



Page 14|31
Grab tray



Page 14|32
Table mat



Page 14|32
Earthing box



Page 14|32
Earthing plug



Page 14|33
Helix cable



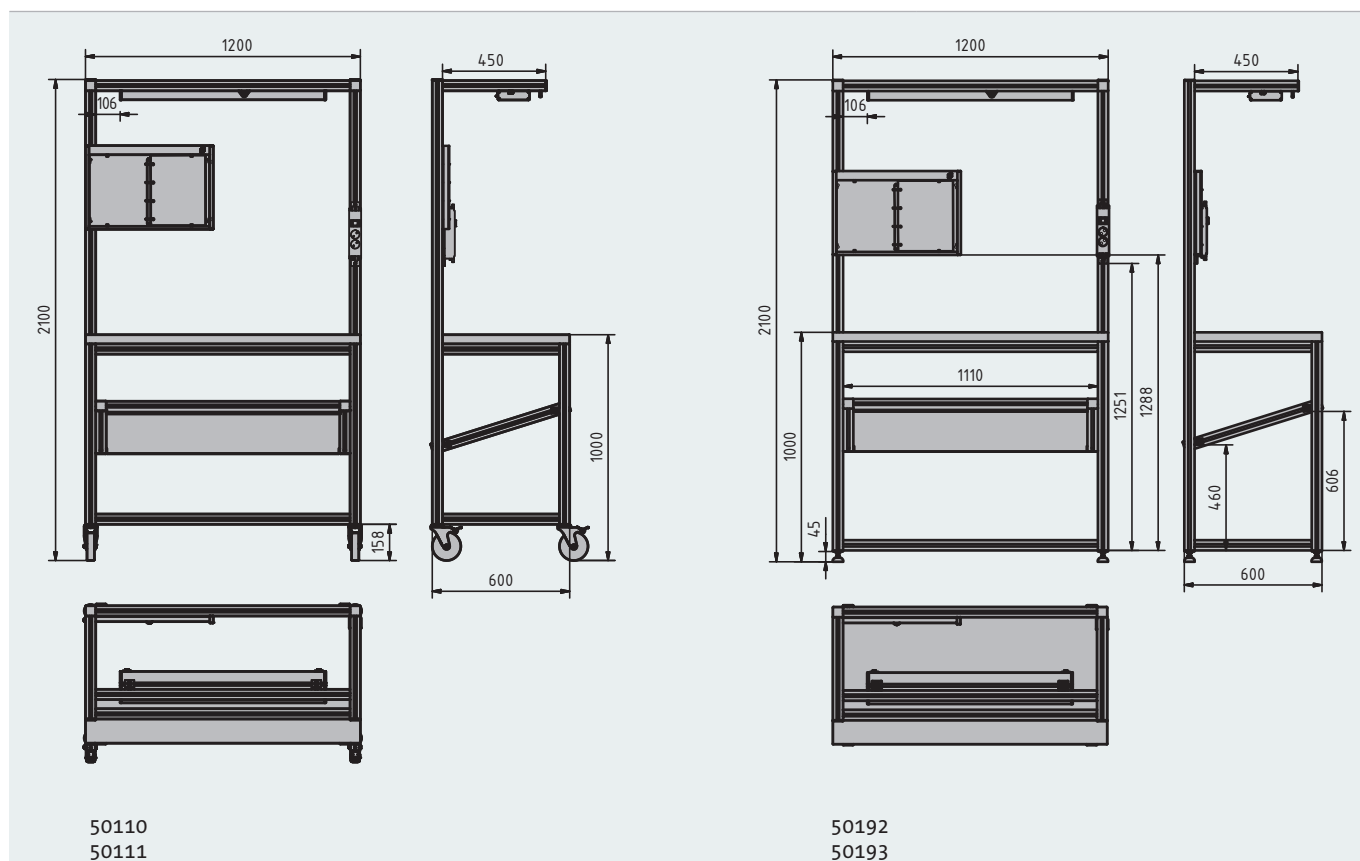
Page 14|33
Wrist strap



Page 14|33
Earthing contact

Workplace

Our workbenches and feeder systems make your assembly processes a lot more efficient. Combine our standardised feeder systems with our workbenches to create a perfect material provisioning system.



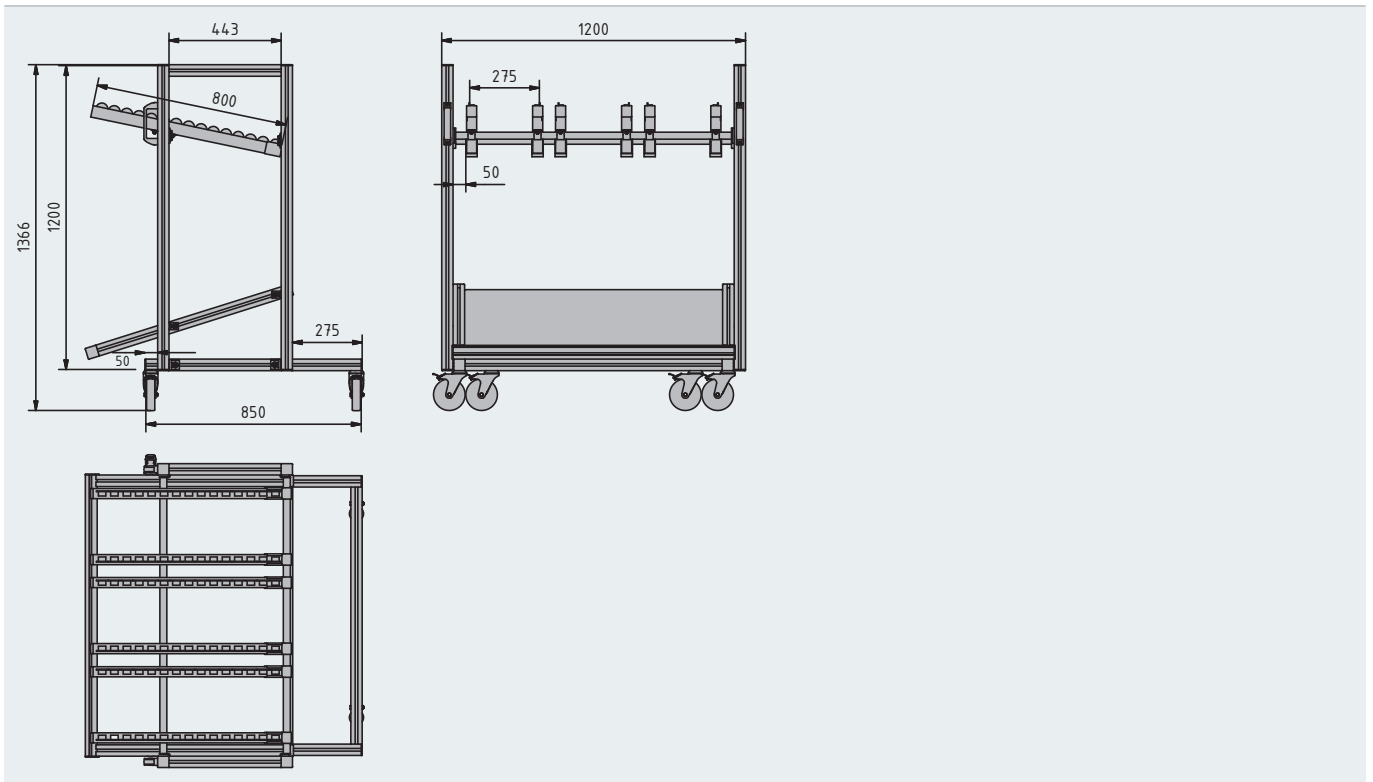
DESIGNATION	B (mm)	T (mm)	WORKING HEIGHT (mm)	ARTICLE NUMBER
Standing height workbench B45, kit with steering castors	1200	600	1000	50110
Standing height workbench B45, steering castors installed	1200	600	1000	50111
Standing height workbench B45, kit with hinged feet	1200	600	1000	50192
Standing height workbench B45, hinged feet installed	1200	600	1000	50193

Ask for our customised workbenches.
Just send us your request.

Feeder unit

Features:

- 3 feeder sections with flanged rollers (adjustable width)
- 1 return section of anodised aluminium
- 4 rollers with locking device



DESIGNATION	B (mm)	T (mm)	HEIGHT (mm)	ARTICLE NUMBER
Feeder unit kit	1200	850	1366	50120
Assembled feeder unit	1200	850	1366	50121

Ask for our customised feeder carts.
Just send us your request.

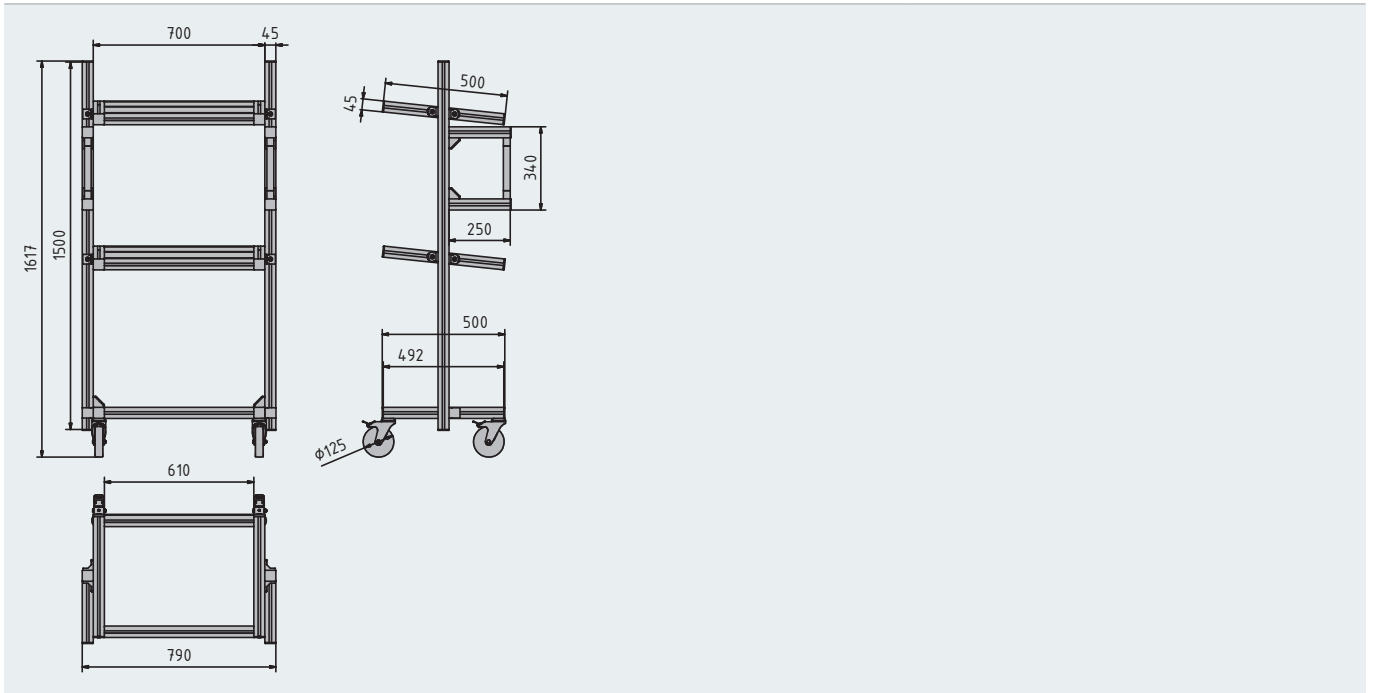
Material cart

Features:

3 shelves (including 2 with adjustable height and tilt)

Matching KLT container size: 400 × 600 mm

4 rollers with locking device



DESIGNATION	B (mm)	T (mm)	HEIGHT (mm)	ARTICLE NUMBER
Material cart kit	790	500	1617	50134
Assembled material cart	790	500	1617	50131

Ask for our customised material carts.
Just send us your request.

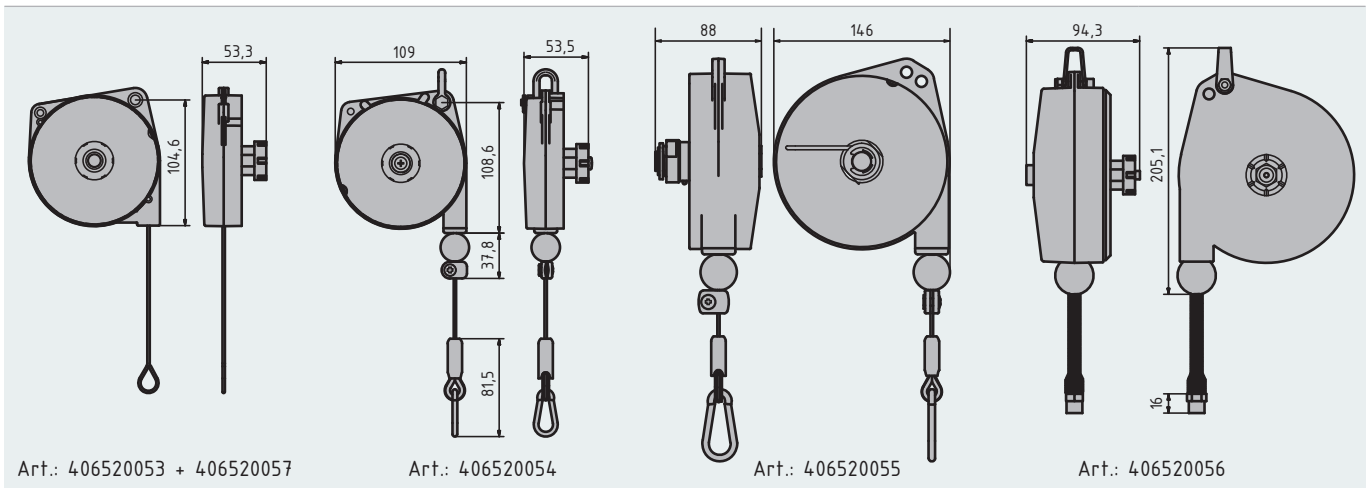
Spring balancer

- Provides tools in an ergonomic manner to reduce unilateral employee strain.
- Adjustable hoisting limit
- Mounts at the place of work using a suspension bracket plus carriage or glide



Hose pull spring balancer

- Provides tools in an ergonomic manner to reduce unilateral employee strain.
- Hose holds the tool and reduces the footprint
- Adjustable hoisting limit
- Mounts at the place of work using a suspension bracket plus carriage or glide
- Compressed air is supplied by a ledge; compressed air port for air supply and tool connection: G1/4"



Art.: 406520053 + 406520057

Art.: 406520054

Art.: 406520055

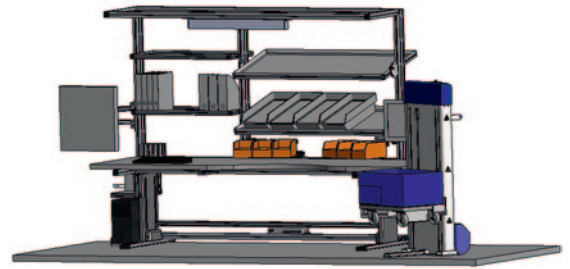
Art.: 406520056

DESIGNATION	CARRYING CAPACITY (kg)	TARE WEIGHT (kg)	ROPE EXTENSION (mm)	HOUSING	ARTICLE NUMBER
Spring balancer	0.4....1.0	0.6	1600	Plastic	406520053
Spring balancer	0.4....1.0	0.6	1600	Aluminium	406520057
Spring balancer	1.0....2.0	0.6	1600	Aluminium	406520054
Spring balancer	2.0....4.0	2.0	2000	Aluminium	406520055
Hose pull spring balancer	1.2....2.5	14	1350	Aluminium	406520056

Lifting units for height-adjustable workplaces

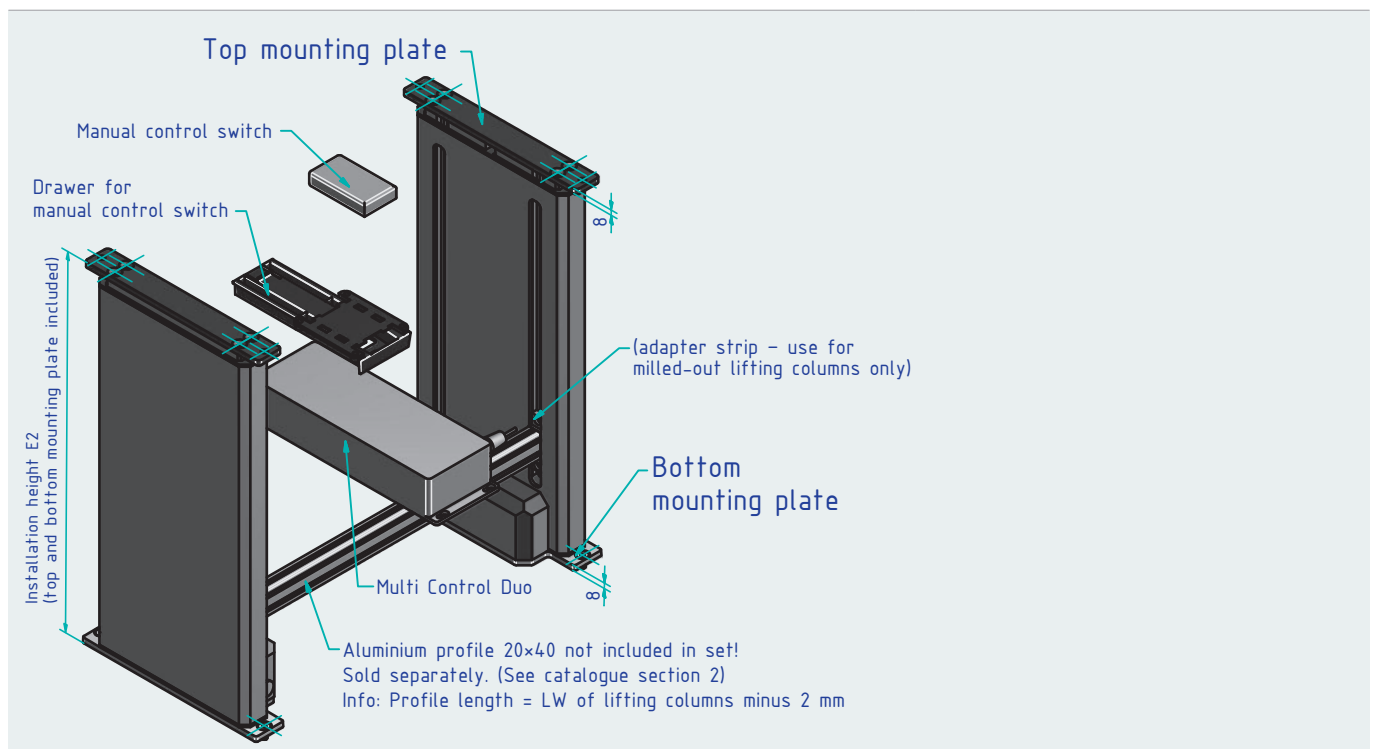
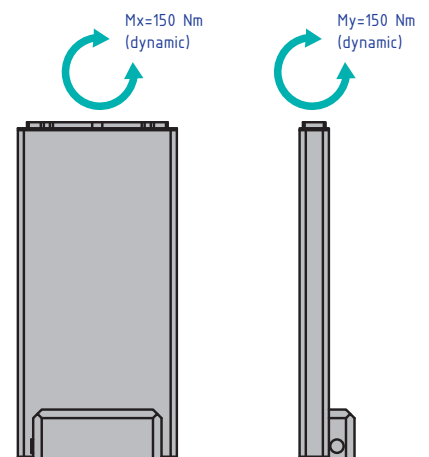
Lifting units allow employees to adjust their production workplaces to the preferred height in order to ensure a perfect sitting or standing posture.

Multi-shift operations particularly benefit from this feature in that workplace heights adapt to changing persons' need. Our lifting units also handle high working loads.



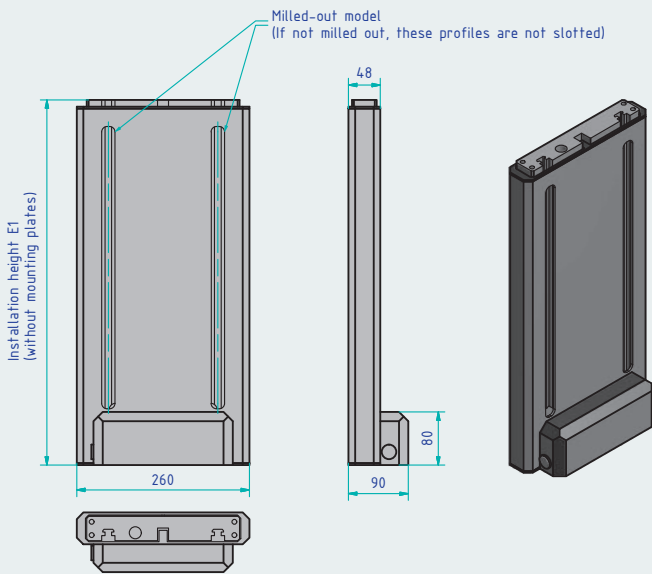
General specifications:

- High system load of up to 6000 N
- Speed $v = 8 \text{ mm/s}$
- IP30 protection
- For 2 lifting columns in synchronous mode
- Ambient temperature: $+5 \text{ }^\circ\text{C}$ to $+40 \text{ }^\circ\text{C}$
- Power consumption: 120W
- Offset in synchronous mode: 0–2 mm
- On-time: 10% under nominal load (max. 2 minutes of operation, 18 minutes rest period)
- Voltage: 24 VDC
- Hardware for mounting the components on the workbench to be provided on-site.

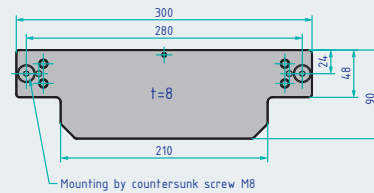


Each lifting unit set includes:

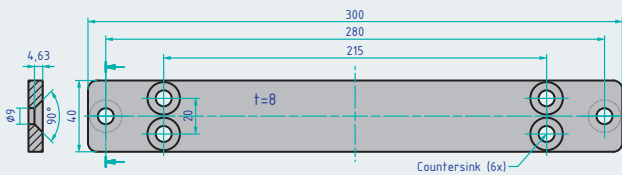
- 2x lifting module ①
- 2x bottom mounting plate ②
Easy mounting of lifting columns on the workbench.
- 2x top mounting plate ③
Easy mounting of lifting columns on the workbench.
(2x adapter strip ④ – use for milled-out lifting columns only)
- 1x Multi Control duo ⑤
- 1x simple manual control switch with 2 function controls: Up/Down (not shown)
- 1x drawer for manual control switch ⑥



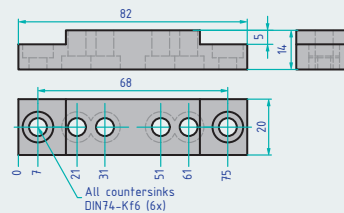
① Lifting unit
Quantity: 2 pcs



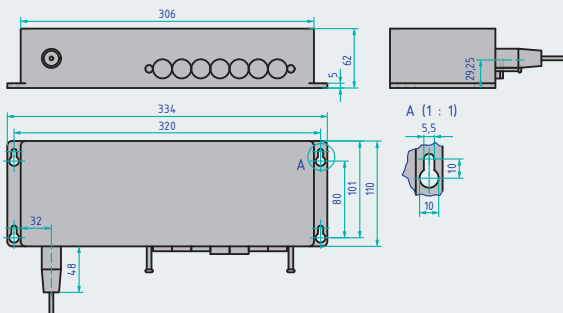
② Bottom mounting plate
Quantity: 2 pcs



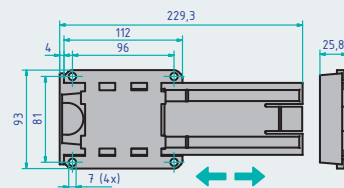
③ Top mounting plate
Quantity: 2 pcs



④ Adapter strip
Quantity: 2 pcs
Material: AlMgSi 0.5
Info: Profile length = LW of lifting columns minus 2 mm



⑤ Multi Control duo
Quantity: 1 pcs



⑥ Drawer for manual control switch
Quantity: 1 pcs

DESIGNATION	LIFT (mm)	SYSTEM LOAD (COMPRESSIVE)	SYSTEM LOAD (TENSILE)	INSTALLATION HEIGHT E1 (mm)	INSTALLATION HEIGHT E2 (mm)	ARTICLE NUMBER
Lifting unit 355, not milled out	355	6000N	2000N	550	566	406530102
Lifting unit 355, milled out	355	6000N	2000N	550	566	406530100
Lifting unit 400, not milled out	400	6000N	2000N	595	611	406530103
Lifting unit 400, milled out	400	6000N	2000N	595	611	406530101

Note: Ask for other lift lengths or model variants

Accessories (optional)

DESIGNATION	ARTICLE NUMBER
Manual control switch with 6 function controls and LED display, 1 m helix cable (memory function)	406530104

Note: A manual Up/Down control switch is included in the standard set of lifting columns.

LED system lamp

For system workplaces, machines and facilities

Our lamp is compatible with standard system workplace lamps.

Use the Wieland GST18 plug to connect the lamp to 230 V, the power supply unit is integrated in the lamp. Lamps output 100 lumen per watt to provide particularly efficient, homogeneous and flicker-free illumination. System lamp packages include the On/Off switch.



Your benefit: Save 40% of electricity while obtaining at least 30% more light compared to conventional tube lamps.

Non-glare feature: Microprisms

Life: > 60,000 operating hours

Ingress protection: IP40

Light output: across the entire width of the lamp

Mounting: The material (screws and hammer head nuts)

for mounting the lamp on the bars is to be provided on-site.

The mounting panel is contained in the package.

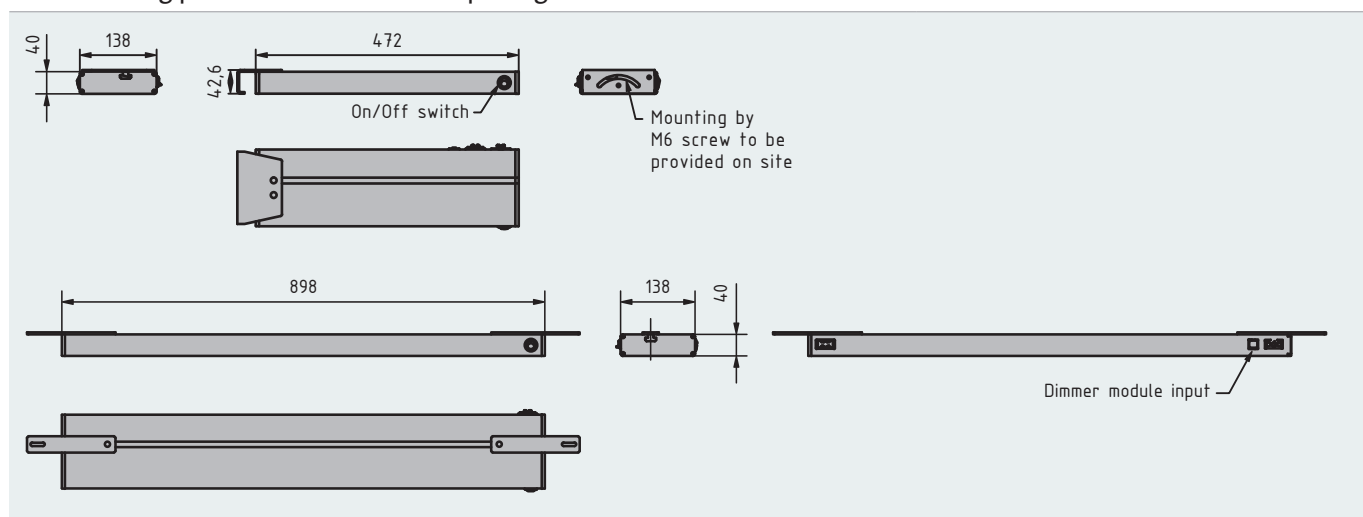
Connector: Wieland GST18

Temperature: -10 °C...+50 °C

Safety class: I (protective earthing)

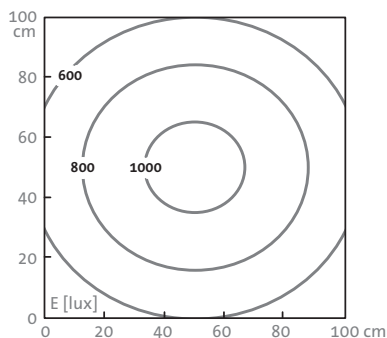
Daylight white: 5,200–5,700 K

Dispersion angle: 100°

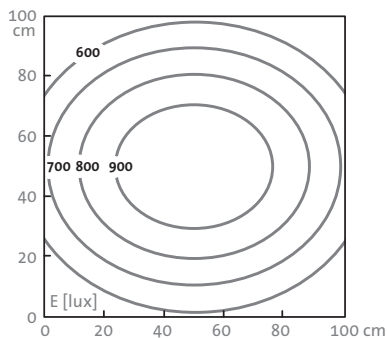


DESIGNATION	LENGTH	POWER CONSUMPTION	LUMINAIRE LUMINOUS FLUX (lm)	ARTICLE NUMBER
Lamp SL24LED	472 mm	28 W	2408	406514680
Lamp SL28LED	898 mm	28 W	2380	406514682
Lamp SL48LED	898 mm	52 W	4472	406514681

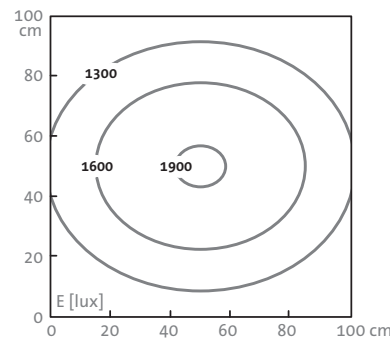
Lamp SL24LED
Art. no.: 406514680
H = 1000 mm



Lamp SL28LED
Art. no.: 406514682
H = 1000 mm



Lamp SL48LED
Art. no.: 406514681
H = 1000 mm



Dimmer module

new

The dimmer function can be installed subsequently, quick and easy, with an external Dimmer module at any time.

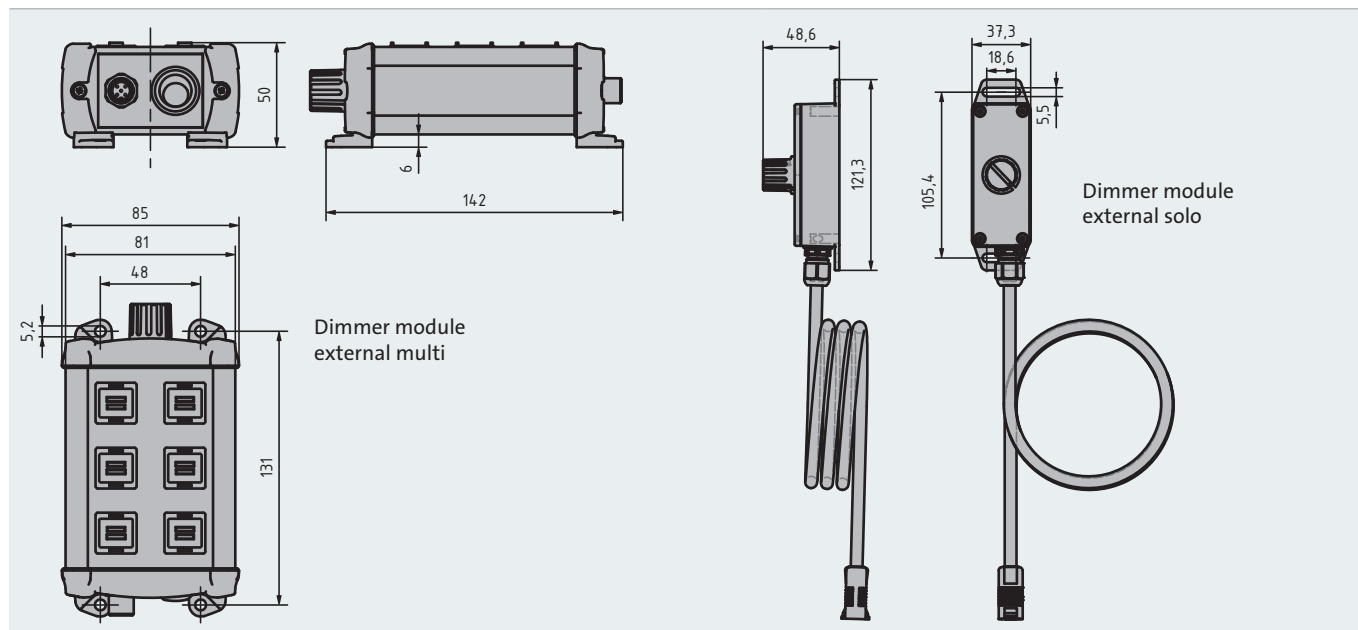
Usable for the lights SL24LED, SL28LED, SL48LED.

The Dimmer module is plugged into the light at a separate (polarity-protected) input socket.

For power supply of the lights, the network cables and connection cables have to be ordered separately.

See "Mains cable" on page 14|16 and "Drop cable" on page 14|16.

Material: Die-cast aluminium casing, rotary potentiometer, conduit



DESIGNATION	LENGTH	USABILITY	ARTICLE NUMBER
Dimmer module external solo	3 m	Operating a light	406514685
Dimmer module external multi	ohne	Central operation max. 6 lights	406514686
Connection cable Dimmer module	1 m		406514687
Connection cable Dimmer module	2 m		406514688
Connection cable Dimmer module	3 m		406514689
Connection cable Dimmer module	4 m		406514690
Connection cable Dimmer module	5 m		406514691

LED system lamp

For system workplaces, machines and facilities

Use Wieland plug GST18i3 (1xIN/1xOUT) to connect the lamp to 230 V, the power supply unit is integrated in the lamp.

Highly energy efficient with up to 25% more light at about half the energy consumption

(compared to fluorescent lamps).

Smooth, easy-to-clean and closed design.

Ready for connection to mains voltage, no disturbing separate power supply unit.

Product description

- compact and sturdy lamp housing of self-supporting aluminium profile, anodised in natural colour,
- microprism pane plus diffuser foil (reversible/bifunctional) provide excellent glare protection,
- Profile caps of black (optional: silver-grey) steel sheet,
- absolutely no flickering due to DC-fed LEDs; extremely low-loss on-board electronic LED converter,
- supplied with latest-generation LED light engines, neutral white (840),
- high light output due to high-gloss anodised reflectors.

Mounting: The material (screws and hammer head nuts) for mounting the lamp on the bars is to be provided on-site. The mounting panel is contained in the package.

Input voltage: 220-240 V, 0/50... 60 Hz

Life: >50,000 operating hours

Temperature: -10 °C...+40 °C

Ingress protection: IP20

Safety class: I (protective earthing)

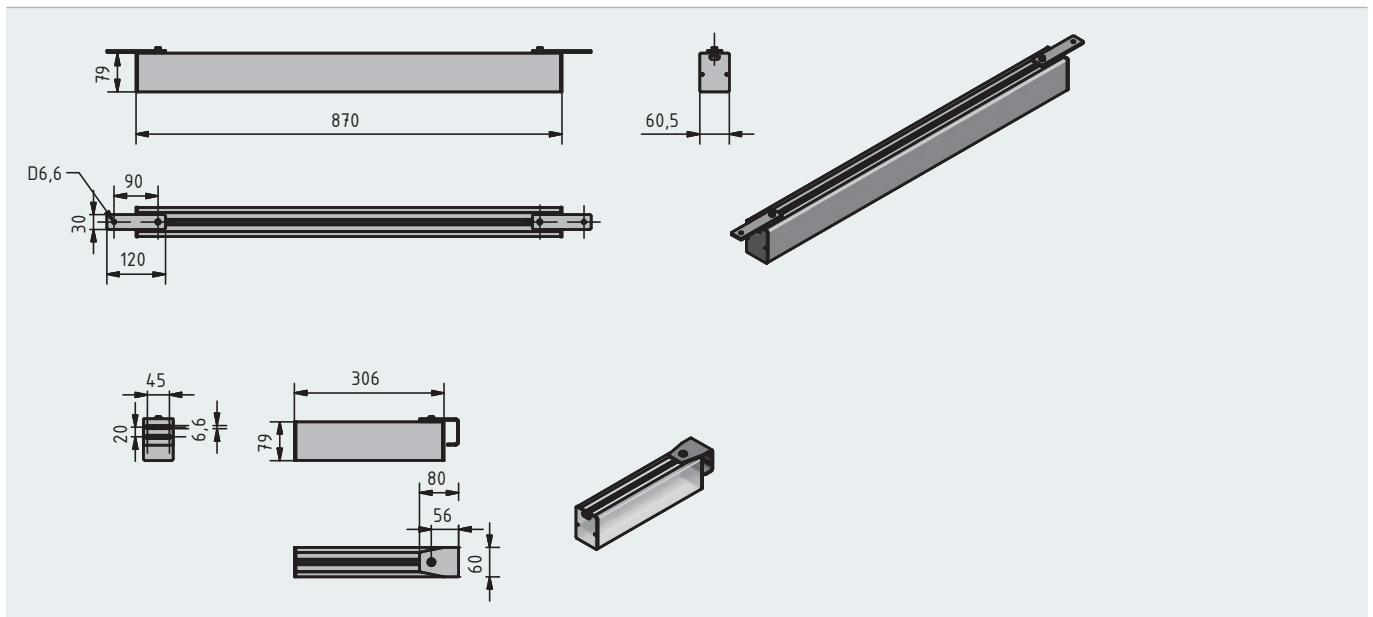
Installation: into top of T slot

Light output: across the entire width of the lamp

Luminous colours: neutral white (4000 K)

Colour rendering index (CRI): 1B (Ra 80+)

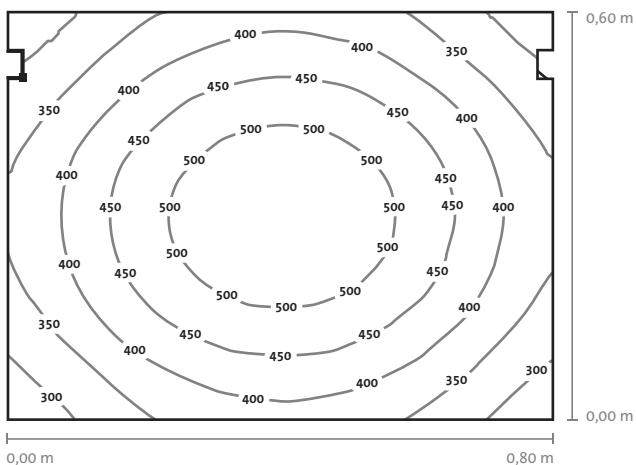




DESIGNATION	LENGTH	OUTPUT	100 cm DISTANCE	ARTICLE NUMBER
Lamp SL10LED	300 mm	10 W	418 lx	406514671
Lamp SL30LED	870 mm	30 W	1200 lx	406514670

Lamp options include special designs (special length, On/Off switch, dimmer ...). Please send your enquiry.

Lamp SL10LED
Art. no.: 406514671
H = 1000 mm

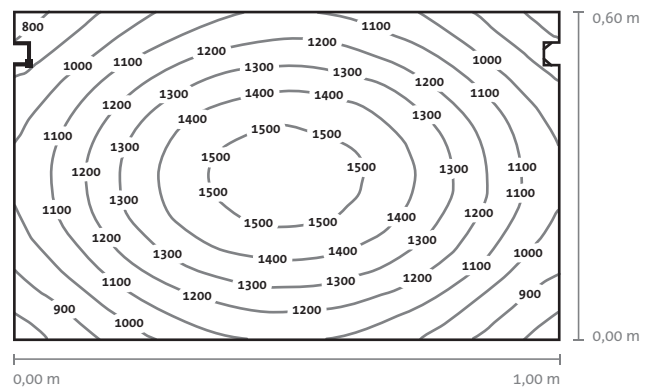


Surface position in cavity:
Marked point:
(2.236 m, 2.316 m, 0.750 m)



Lux values
Scale 1:6

Lamp SL30LED
Art. no.: 406 514670
H = 1000 mm



Surface position in cavity:
Marked point:
(2.145 m, 2.316 m, 0.750 m)



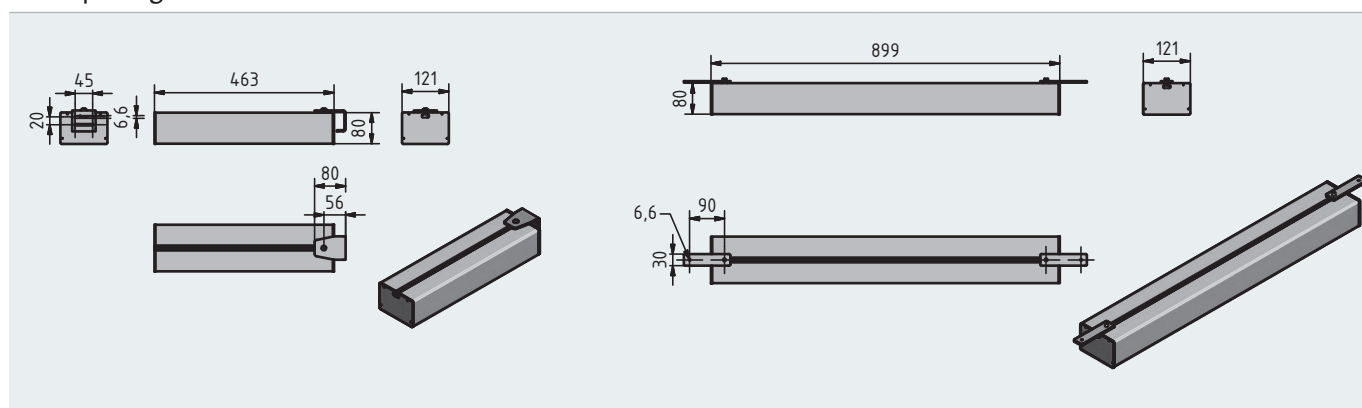
Lux values
Scale 1:8

System lamp

- Lamp for cross beam installation, self-supporting aluminium profile, anodised in natural colour
- WIELAND GST 18i3 connector system (1x In, 3x Out) for main connection
- Metallised plastic parabolic honeycomb grid prevents all glare, 13 x 13 mm, can be removed without tools
- Black varnished steel sheet profile cap
- An electronic ballast ensures absolutely non-flickering high-frequency operation at approx. 40 kHz, non-jittering instant start and no stroboscopic effects
- High light output due to high-gloss anodised reflector
- OSRAM lamp ballast and illuminant



Mounting: The material (screws and hammer head nuts) for mounting the lamp on the bars is to be provided on-site. The mounting panel is contained in the package.



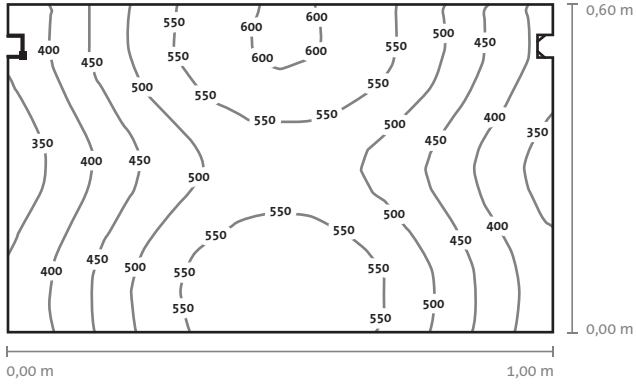
Technical data:

	LAMP SL36 w/ BALLAST	LAMP SL78 w/ BALLAST
Mounting	Bar mounting material to be provided on-site	
Ingress protection	IP20	IP20
Safety class	I	I
Input voltage	220-240 V 0/50...60 Hz	220-240 V 0/50...60 Hz
Power consumption/system output	approx. 35 W (@ 230 V)	approx. 82 W (@ 230 V)
Energy efficiency class of lamp ballast	EEL = A2	EEL = A2
Energy Label (illuminant)	A(40kWh/1000h)	A+ (2 x 44 kWh/1000h)
Total luminous flux	2900 lm	6200 lm
Lamp type (LBS)	1 x TC L36/840 neutral white	2 x T5 H039/840 neutral white
Socket	2G11	G5
Approx. lamp life	20,000 h	24,000 h

DESIGNATION	LENGTH (mm)	100 cm DISTANCE	ARTICLE NUMBER
Lamp SL36 w/ ballast	456	484 lx	406514661
Lamp SL78 w/ ballast	899	1078 lx	406514660

Lamp options include special designs (special length, On/Off switch, dimmer ...).
Please send your enquiry.

Lamp SL36EVG
 Art. no.: 406514661
 H = 1000 mm

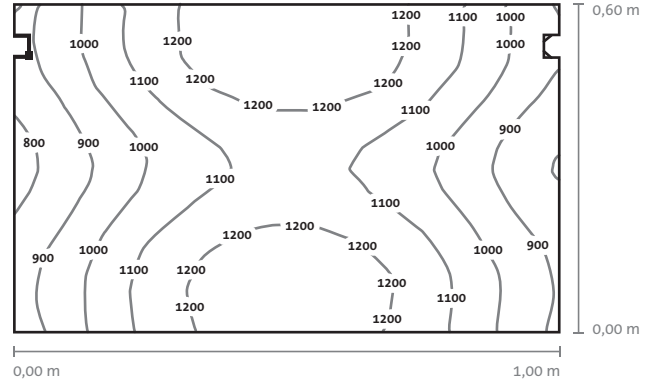


Surface position in cavity:
 Marked point:
 (2.145 m, 2.316 m, 0.750 m)



Lux values
 Scale 1:8

Lamp SL78EVG
 Art. no.: 406 514660
 H = 1000 mm



Surface position in cavity:
 Marked point:
 (2.145 m, 2.316 m, 0.750 m)



Lux values
 Scale 1:8

Multiple socket, power strip unit

Multiple socket with two or three grounding outlets.

Power strip unit with six grounding outlets; mounts on a bar extension (workplace width = 990 mm).

Plug sockets turned by 45° to save space when plugging in angled connectors.

With female GST outlet and caps that loop the power through.

Use bracket sets (→ see page 14|16) to fasten the multiple sockets and the power strip units to the aluminium profile.

Some models feature a switching input and/or output.

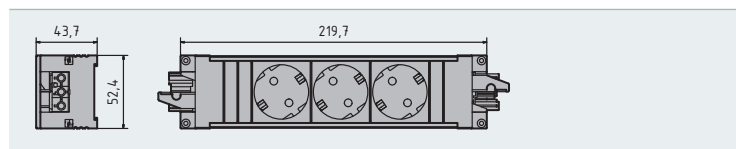
Suitable for use at ESD workplaces.

Ingress protection: IP20 (IEC529/DIN40050)

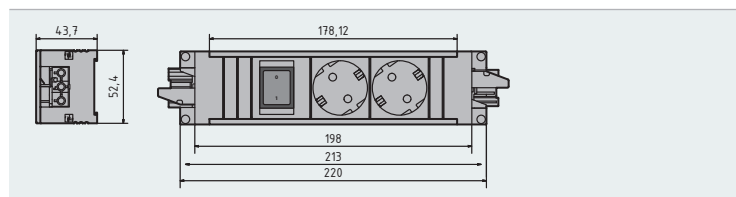
Material: Anodised aluminium, socket: Black plastic

Required accessories: Mains or drop cable

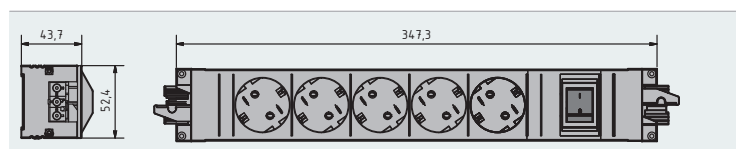
Supplied with bracket set.



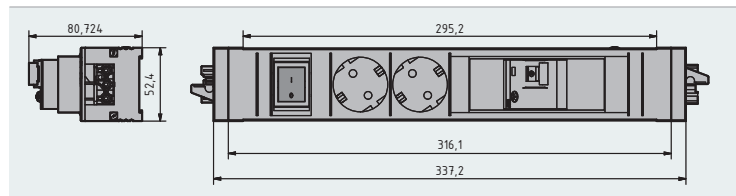
DESIGNATION	COUNTRY	I (A) U (V)	ARTICLE NUMBER
Multiple socket	D*	max. 16A/230V	406539842



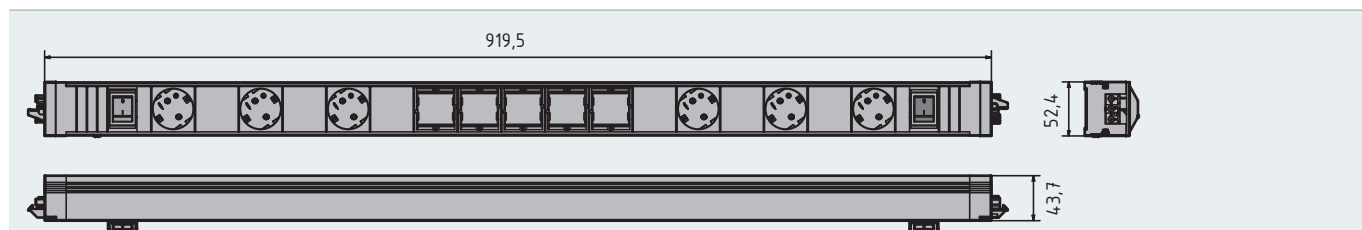
DESIGNATION	COUNTRY	I (A) U (V)	ARTICLE NUMBER
Multiple socket w/ switching output	D*	max. 16A/230V	406539844
Multiple socket w/ switching socket and output	D*	max. 16A/230V	406539846



DESIGNATION	COUNTRY	I (A) U (V)	ARTICLE NUMBER
Multiple socket w/ switching socket and output	D	max. 16A/230V	406539847



DESIGNATION	COUNTRY	I (A) U (V)	ARTICLE NUMBER
Multiple (double) socket with FI	D*	max. 16A/230V	406539841



Art. no.: 406539850

Info: The bracket sets below only allow you to fasten the 990 mm wide power strip unit to the front of the bar extension.

DESIGNATION	COUNTRY	I (A) U (V)	ARTICLE NUMBER
Power strip unit w/ switching sockets and output	D*	max. 16A/230V	406539850

* VDI, ENEC test mark

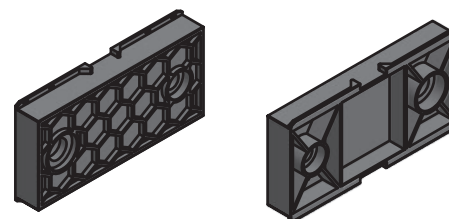
Bracket set (spare)

For mounting power strip units and multiple sockets
Holes for M6 and M8 cheese head screws.

Material: PA6 GF30 glow wire-proof up to 650 °C

Colour: light grey (RAL7035)

Accessories: Mounting kit (M6 cheese and screw and M6/N10 hammer head nut) included



DESIGNATION	SLOT	ARTICLE NUMBER
Bracket set LE02	10	406539800

Mains cable

For connecting system lamps, multiple sockets or power strip units.
Fully configured cable for easy and safe plug-and-play installation even by non-experts.

Open-ended mains cable: For your own installation.

Accessories: GST plug; GST socket

Colour: black

Connecting lead: 3 G, 1.5 mm²

DESIGNATION	COUNTRY	L (m)	ARTICLE NUMBER
Mains cable	D/F*	2	406517046
Mains cable	D/F*	5	406517045
Mains cable (not grounding)	Open-ended	5	406517201

* VDI, ENEC test mark, socket - open end

Drop cable

Wiring between system lamps, multiple sockets or power strip units
Various lengths ready for use.

For easy and safe plug-and-play installation even by non-experts.

Colour: black

Connecting lead: 3 G, 1.5 mm²

DESIGNATION	COUNTRY	L (m)	ARTICLE NUMBER
Drop cable	EU*	4	406537598
Drop cable	EU*	3	406527207
Drop cable	EU*	2	406517047
Drop cable	EU*	1.5	406537123
Drop cable	EU*	1	406517049
Drop cable	EU*	0.5	406517051

* VDI, ENEC test mark

GST plug, GST socket

For making your own cables.

Colour: black

DESIGNATION	ARTICLE NUMBER
GST plug	406517043
GST socket	406517044
Connecting plug	406517055
T-plug	406532909
H-splitter	406553142

Info board

Provides information at the workplace.

Very stable.

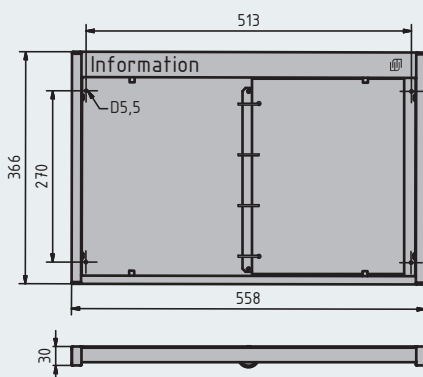
Info board, 2×A4 (EU): Double-side model with 4-fold filing mechanism; A4.

ESD model suitable for use at ESD workplaces.

Material: Frame profile: Anodised aluminium, natural colour

Rear wall and board: Dressed stainless steel (V2A)

Package includes: 2 ESD sheet protectors



DESIGNATION	COUNTRY	ESD	ARTICLE NUMBER
Info board, 2×A4	EU		406502153

A4 sheet protectors for info boards

One open side with punched edge.
 Permanently discharging PVC document envelope.
 For info boards at the workplace or for filing in folders.
 Printed standard information: ESD label, recycling symbol.
 Typical surface resistance: $RS=10^9-10^{10}$ ohm



DESIGNATION	ESD-READY		FORMAT	ARTICLE NUMBER
Sheet protector			A4	416537358
Sheet protector	—		A4	416539838

Display pocket

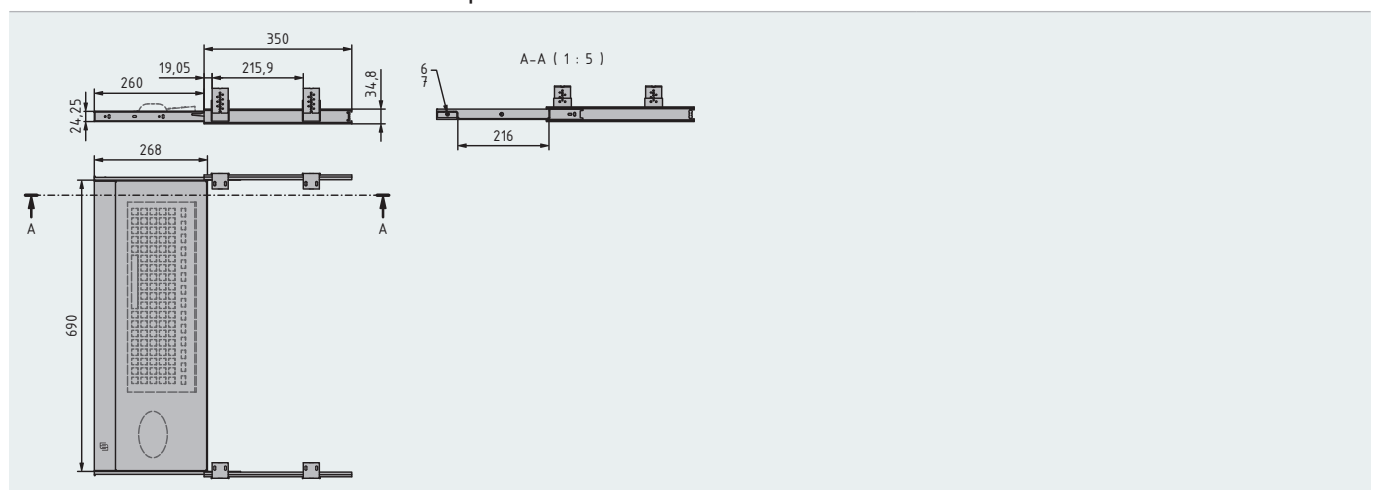
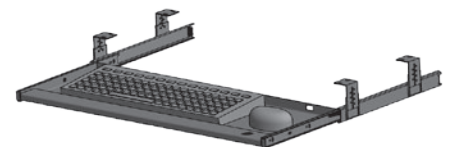
For providing separate A4 info sheets e.g. for work sequence tickets.
 Portrait or landscape installation.
 Glass shield dirt protection.
Colour: light grey (RAL 7035)
Required accessories: Screws



DESIGNATION	ARTICLE NUMBER
Display pocket	406410015
Protective film for display pocket 292 × 210 - 1 - 0.5 mm	406410016

Sliding keyboard shelf

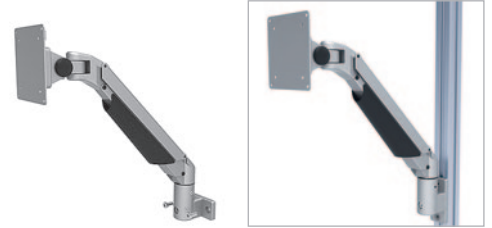
The shelf conveniently installs under the tabletop which leaves more space on the table.
 It is wide enough for both the keyboard and the mouse.
Material: Brush-finished stainless steel
 Telescopic hold in/hold out slides included.
 The package contains the mounting material required for installation under the tabletop.



DESIGNATION	W x D (TROUGH)	ARTICLE NUMBER
Sliding keyboard shelf	685 × 265	406200150

Height-adjustable 4-axle display support new

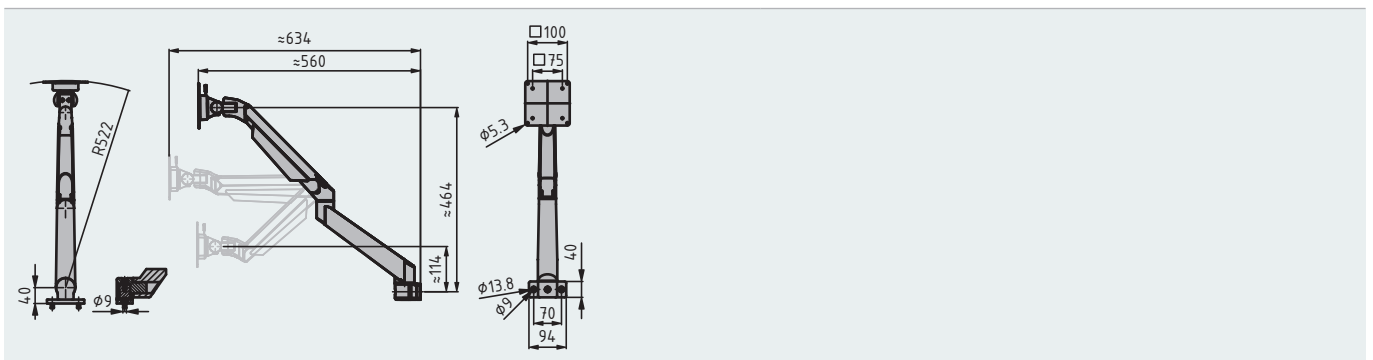
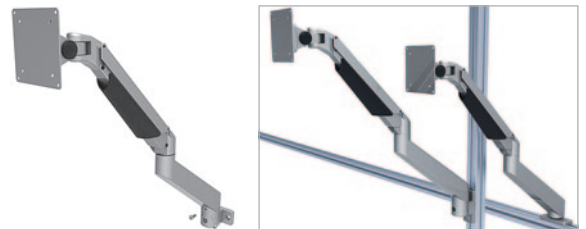
Ready-to-use display support with mounting panel and flange for attachment to vertical or horizontal profiles; turns by 360° (vertical)
 For display units with standard VESA port (VESA 75 and 100)
 Adjustable load: 2 - 10 kg
Material: Display support: die-cast aluminium, powder coated (aluminium)
 Mounting material: Galvanised steel



DESIGNATION	CARRYING CAPACITY (kg)	ARTICLE NUMBER
Height-adjustable 4-axle display support	10	406200125

Height-adjustable 5-axle display support new

Ready-to-use display support with mounting panel and flange for attachment to vertical or horizontal profiles or on surfaces; turns by 360° (vertical);
 For display units with standard VESA port (VESA 75 and 100)
 Adjustable load: 2 - 10 kg
Material: Display support: die-cast aluminium, powder coated (aluminium)
 Mounting material: Galvanised steel

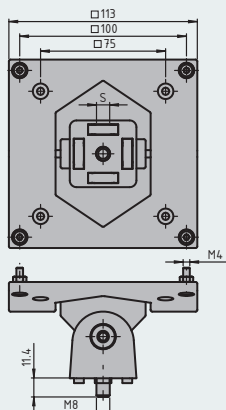


DESIGNATION	CARRYING CAPACITY (kg)	ARTICLE NUMBER
Height-adjustable 5-axle display support	10	406200120

Display support

For mounting display units with standard VESA port (75 × 75 and 100 × 100) on aluminium profiles (horizontal or at face end); the swivel axle supports the horizontal and vertical adjustment of display units weighing up to 11 kg.

Material: Adapter panel: Plastic (PA), fibreglass reinforced
 Joint half: Plastic (PA), glass bead-reinforced
 Slot lock: Uncoated die-cast zinc
 Mounting material: galvanised steel



DESIGNATION	SLOT	ARTICLE NUMBER
Display support	8/10	406516100

PC mount

Mounting the PC at an elevated position leaves more room for easily cleaning the space underneath.

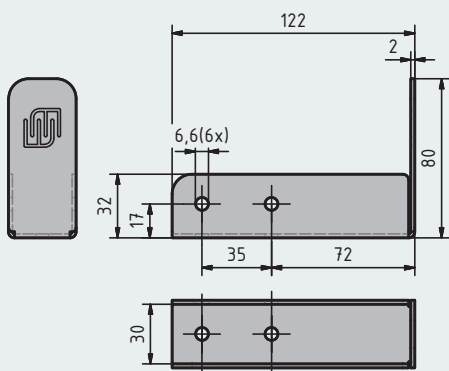
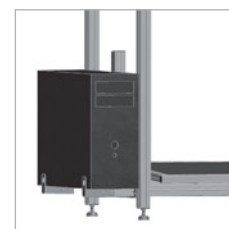
This is exactly what our PC mount is there for. It adapts to computers of any width.

Use a 30 × 30 profile (not included) to fasten the mount on your desk. Using profiles of different lengths lets you use our PC mount for almost all computers.

Like with everything we supply, the PC mount leaves you the freedom of choice. Decide to use two or three mounts.

Material: Dressed stainless steel

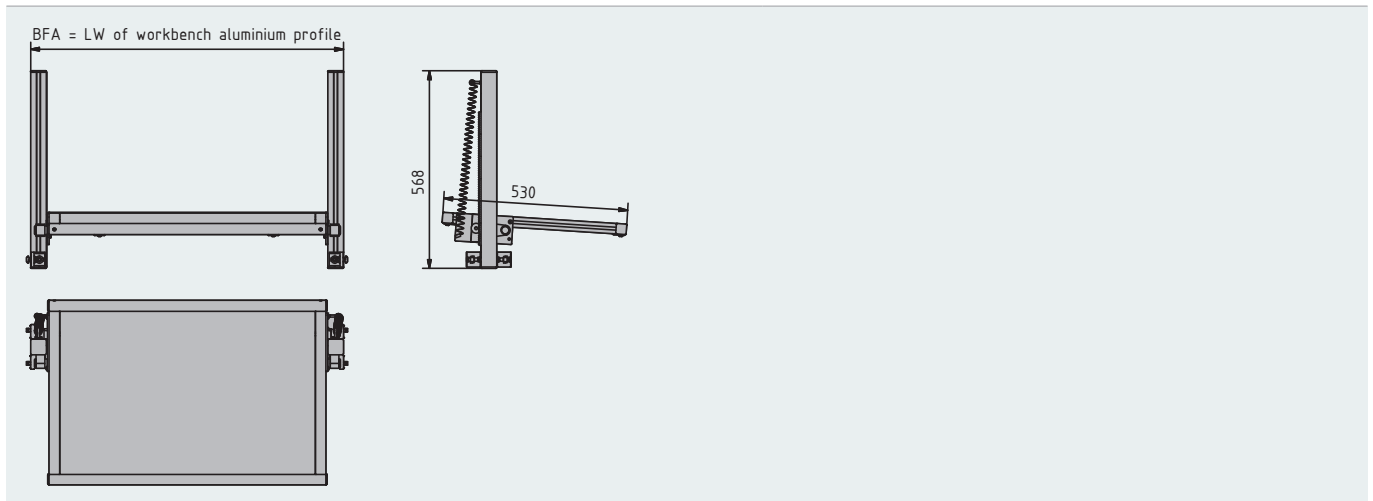
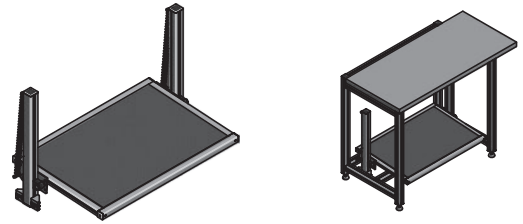
Package includes: 1× stainless steel mount, 4× M6×10 flange head screw




DESIGNATION	COUNTRY	ESD	ARTICLE NUMBER
PC mount	EU		406200100

Height-adjustable footrest

Use this height-adjustable footrest for a more ergonomic posture at your place of work. A spring mechanism is a convenient way of adjusting the height. Use the brackets to quickly install the footrest in your workbench.

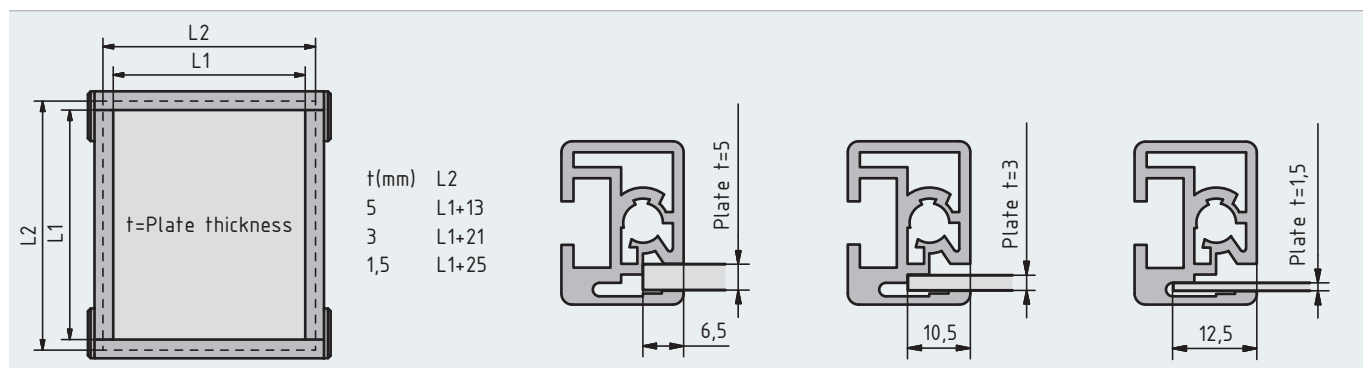
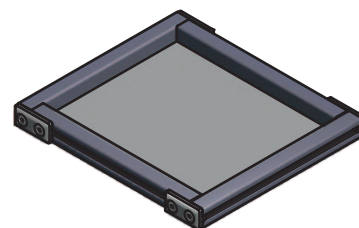


DESIGNATION	BFA	TFA	ARTICLE NUMBER
Footrest	900	530	406519735
ESD footrest 	900	530	406538409

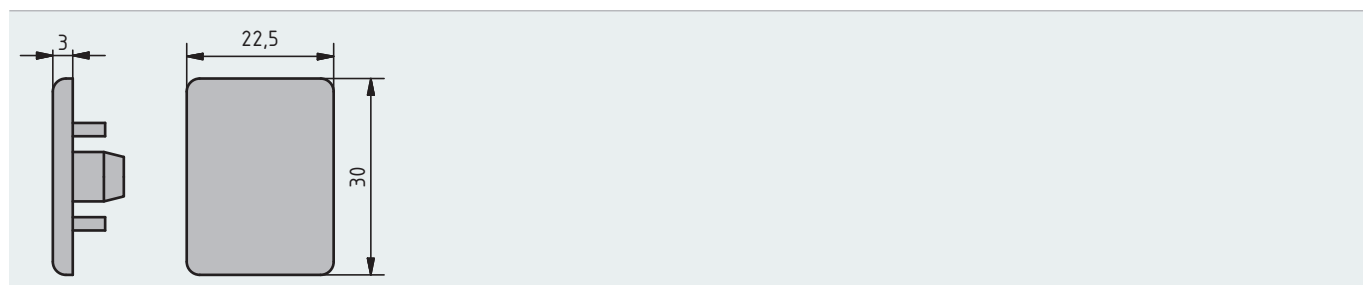
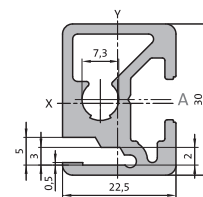
Feel free to ask for footrests in special sizes. Just send us a request.

Frame profile 22.5 × 30

Use to make low-cost trays and material shelves.
 Prestressing prevents the surface elements from rattling.



Article number	481515229 (16 bars, 6000 mm each) 481992493 /... max. 6000 mm.
Profile	22.5 × 30
Slot	8 mm
Mass	0.85 kg/m
Moment of inertia	$I_y = 2.93 \text{ cm}^4$; $I_x = 1.59 \text{ cm}^4$
Section modulus	$W_y = 1.85 \text{ cm}^3$; $W_x = 1.39 \text{ cm}^3$
Profile surface	3.15 cm^2
Radius	R2



DESIGNATION	COLOUR	ESD	ARTICLE NUMBER
Cap 22.5 × 30; PA	black		3842551565

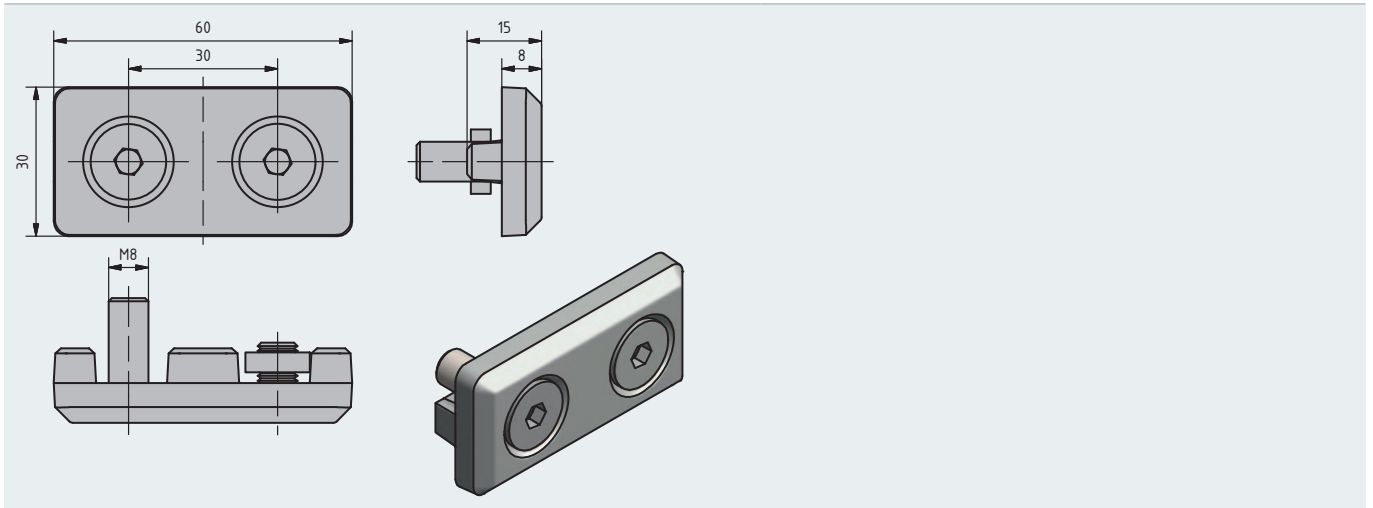
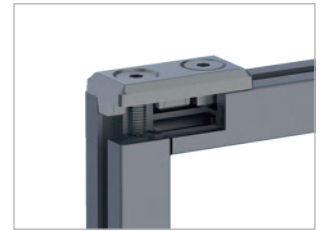
Corner piece for frame profile 22.5 × 30

Links two frame profiles 22.5 × 30 at a right angle

Profile machining: not required

Material: black PA

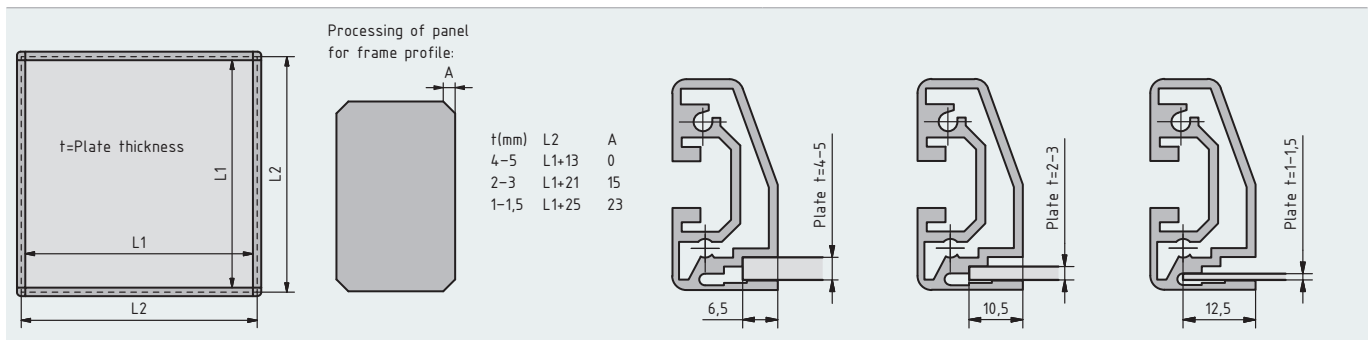
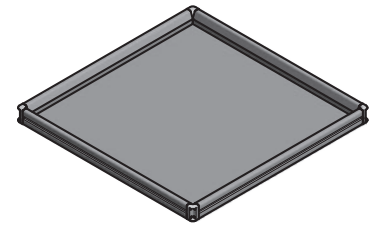
Package includes mounting material



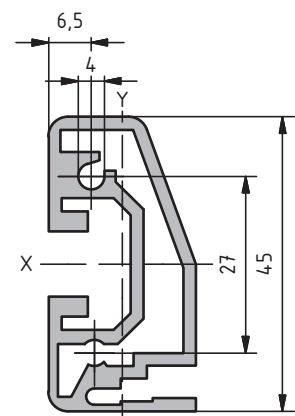
DESIGNATION	ESD	ARTICLE NUMBER
Corner piece for frame profile 22.5 × 30		402535661

Frame profile 22.5 × 45

Use to make low-cost trays and material shelves.
 Prestressing prevents the surface elements from rattling.



Article number	411508102 (20 bars, 6000 mm each) 411992411 /... max. length: 6000 mm
Profile	22.5 × 45
Slot	10 mm
Mass	0.87 kg/m
Moment of inertia	$I_x = 6.28 \text{ cm}^4$; $I_y = 1.53 \text{ cm}^4$
Section modulus	$W_x = 2.55 \text{ cm}^3$; $W_y = 1.17 \text{ cm}^3$
Profile surface	$A = 3.42 \text{ cm}^2$
Radius	R3



Corner piece for frame profile 22.5 × 45

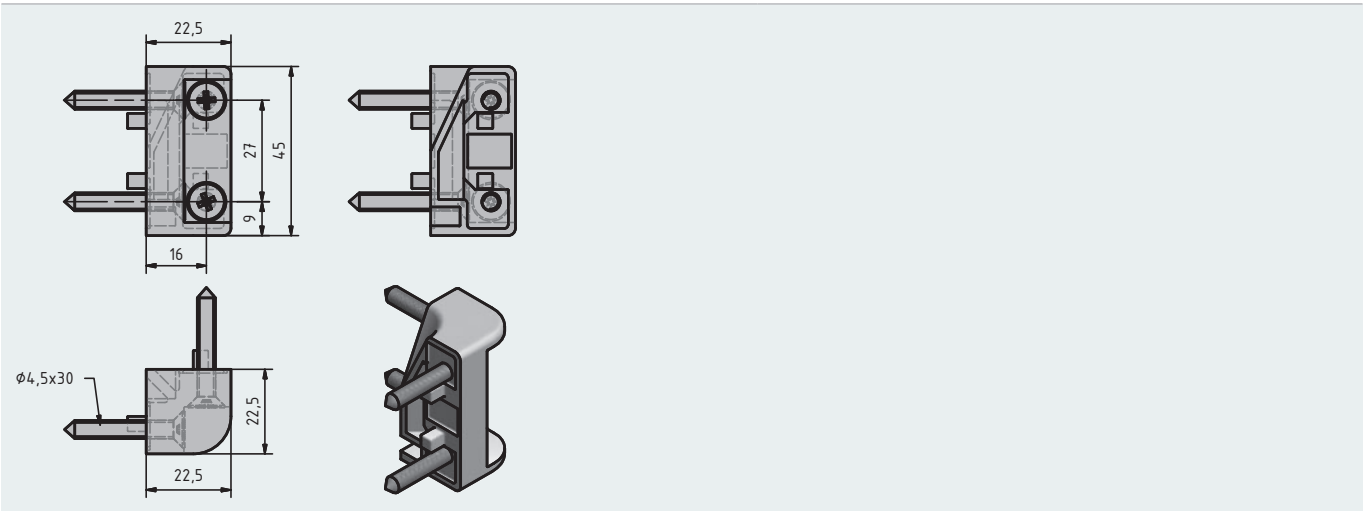
Links two frame profiles 22.5 × 45 at a right angle

Profile machining: not required

Material: Die-cast aluminium

Mounting material included

(4 × 4.8 × 30 self-tapping screw)



DESIGNATION	ESD	ARTICLE NUMBER
Corner piece for frame profile 22.5 × 45		412535637

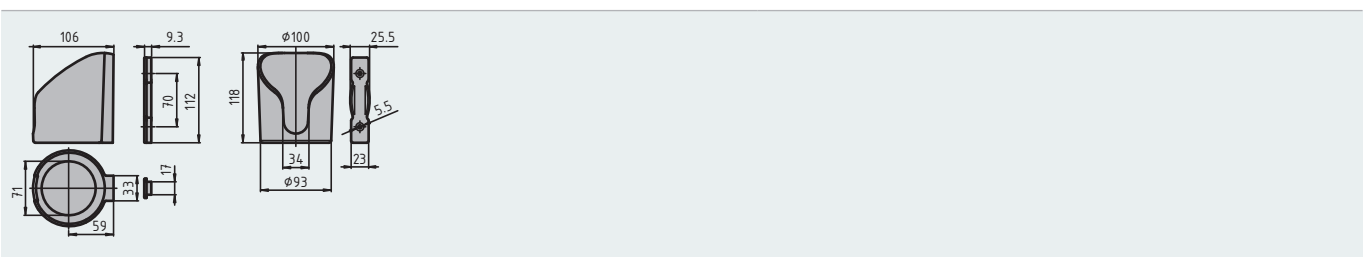
Cup holder

For safely putting down a bottle, tin or cup.

Material: plastic (PA)

Colour: black

On-site mount: by M5 countersunk screw

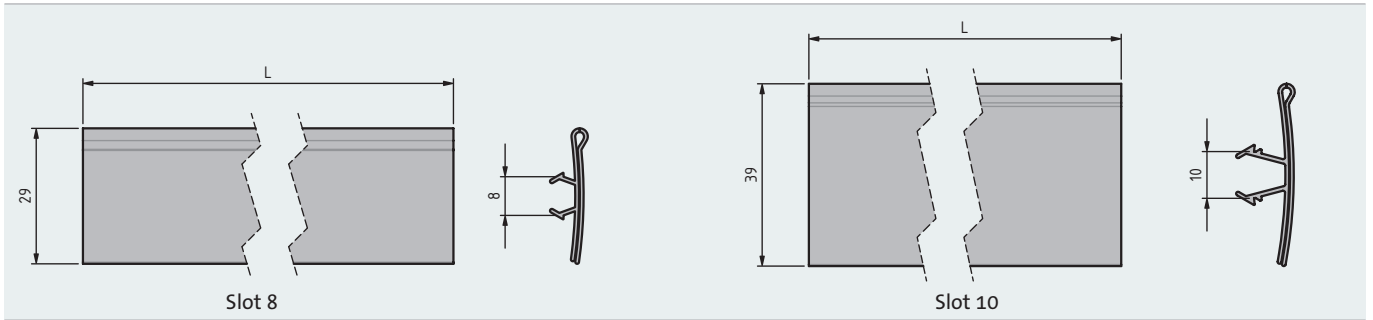
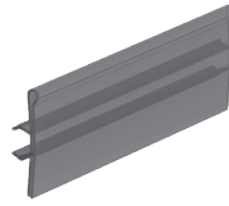


DESIGNATION	WEIGHT	ESD	ARTICLE NUMBER
Cup holder	157.0 g	—	405410000
Conductive cup holder	149.5 g		405410001

Label clips

Fits brace profiles with 8 mm and 10 mm slots.

Material: Rigid PVC; grey similar to RAL7035



DESIGNATION	L (mm)	SLOT	ARTICLE NUMBER
Label clip	102	8	482537650
Label clip	2000	8	482537113
Label clip	160	10	402537653
Label clip	2000	10	402537116

Chest of drawers

Mounts on the table frame or under the tabletop.
Central drawer locking system.

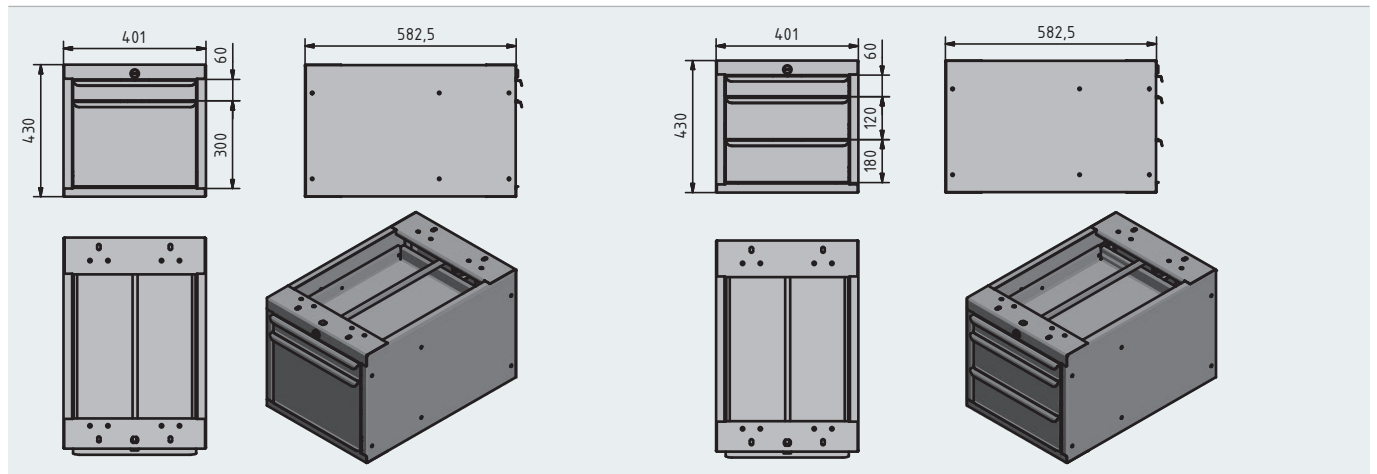
Every drawer can carry up to 350 N.

Soft and easy closing drawers with ball guide;
automatically retracting drawers.

Package includes keys, drilling gauge, mounting kit

Material: Steel sheet, light grey (RAL7035)

Material ESD: Steel sheet, dusty grey (RAL7037)



DESIGNATION	ESD	ARTICLE NUMBER
Chest of drawers, two drawers		3842546534
Chest of drawers, three drawers		3842546535
Chest of drawers, two drawers	yes	3842546538
Chest of drawers, three drawers	yes	3842546539

Desk chair, clean room basic



Clean room class 1 pursuant to US Federal Standard 209E
Ergonomic seat and backrest of conductive synthetic leather.

The tilt of the contact backrest permanently adapts to your sitting posture and can be located in any position.

Backrest height adjustment

Non-tilting base with five feet made of polished die-cast aluminium with either gliders for hard floors or soft conductive double castors whose braking force varies with the load.



DESIGNATION	SEAT HEIGHT (mm)	ARTICLE NUMBER
Desk chair, clean room basic with castors	470-610 mm	406527161
Desk chair clean room basic with glider and height-adjustable climbing aid	620-870 mm	406527162

Desk chair, clean room basic, accessories

Climbing aid

Immediate or later installation

Base ring

Immediate or later installation

Infinitely variable height

Chrome plate base ring, Ø455 mm



DESIGNATION	ARTICLE NUMBER
Climbing aid	406546772
Base ring	406546773
Armrest, light grey (1 pair)	406546774

Bottle holder



For keeping bottles and square drink containers.

Use for standard bottles and beverage bags. Once mounted, the bottle holder will reduce the risk of spills and keep beverages away from your workspace.

Material: Powder coated steel wire (RAL7037); ESD-ready

Package includes: 2 M6 × 16 screws (DIN933); 2 M6 washers (DIN9021)



DESIGNATION	ARTICLE NUMBER
Bottle holder	406540429

Clip-in profile

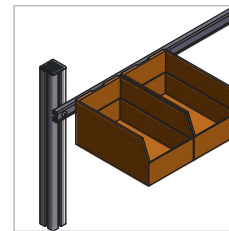
For quickly and reliably hanging up grab containers, grab ledges, grab trays and tool holders.

Profile machining: Through hole for screwdriver

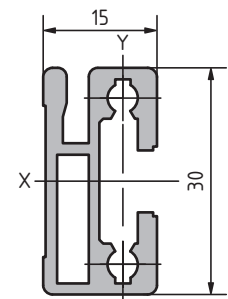
Required accessories: Screw; hammer head nut

Material: Clip-in profile: Anodised aluminium

Clip-in profile ESD: Aluminium, natural colour



Article number	481537679 (10 bars, 3000 mm each) 481993411 /... max. 3000 mm 3842554157 (10 bars, 3000 mm each) 3842993063 /... max. 3000 mm
Profile	15 × 30
Slot	8 mm
Mass	0.55 kg/m
Moment of inertia	$I_y = 0.48 \text{ cm}^4$; $I_x = 2.06 \text{ cm}^4$
Section modulus	$W_y = 0.32 \text{ cm}^3$; $W_x = 2.68 \text{ cm}^3$
Profile surface	2.03 cm ²



DESIGNATION	T (mm)	COLOUR	ESD	ARTICLE NUMBER
Cap 15x30, PA	3	black		481338990

Grab container



Polypropylene plus carbon ensures permanent volume conductivity.

Stackable.

Labelling: ESD warning sign, recycling symbol.

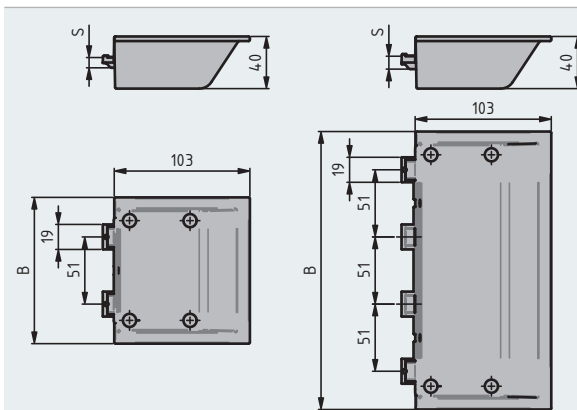


DESIGNATION	EXTERNAL DIMENSIONS: mm (L x W x H)	INTERNAL DIMENSIONS: mm (L x W x H)	EFFECTIVE HEIGHT / STACK mm	ARTICLE NUMBER
Grab container	175 x 100 x 75	129 x 87 x 67	67	406344701
Grab container	95 x 100 x 50	60 x 87 x 44	44	406344702

Slot 10 grab tray

Use to supply small parts to work centres. The hook-in bracket at the back allows you to mount the tray in 10-series profile slots. It can be screwed down to prevent the hooked-in tray from coming off.

Material: Black plastic (PA)



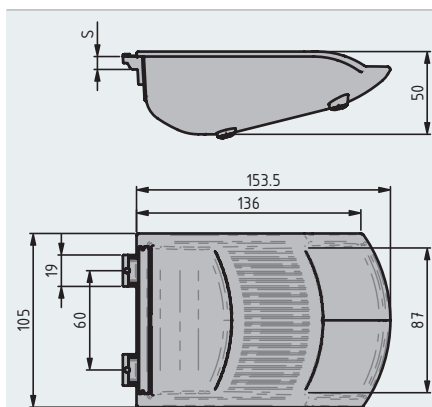
DESIGNATION	B = (mm)	SLOT	ARTICLE NUMBER
Grab tray	110 x 105 x 40 mm	10	416500002
Grab tray	210 x 105 x 40 mm	10	416500001


Slot 10 grab tray, 105 × 153.5 mm

Small parts under control: Use the grab tray to separate small parts and place it in front of storage bins or boxes with stacking edge. The optimised shape of the grabbing edge and the ergonomic design of the tray bottom makes it a lot easier to select and pick up very small parts.

The sturdy plastic grab tray is fit for tough everyday industrial use. If needed, you can simply unhook the trays. One of the model variants is an ESD-ready tray.

Material: plastic (PA6GF30)



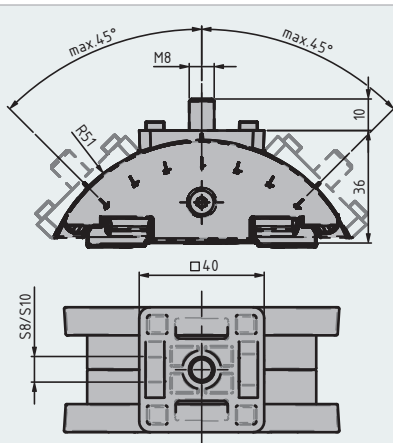
DESIGNATION	SLOT	COLOUR	ARTICLE NUMBER
Grab tray, 105 × 153.5 × 50 mm	10	black	416500010
Grab tray, 105 × 153.5 × 50 mm	10	black 	416500011
Grab tray, 105 × 153.5 × 50 mm	10	traffic grey RAL7042	416500012
Grab tray, 105 × 153.5 × 50 mm	10	signal green RAL6032	416500013
Grab tray, 105 × 153.5 × 50 mm	10	traffic red RAL3020	416500014
Grab tray, 105 × 153.5 × 50 mm	10	signal yellow RAL1003	416500015

Grab tray

For providing small parts from stock; mounts on the clip-in profile with or without separation area; optional adapter allows horizontal pivoting; clearly visible label area ensures a reliable allocation.

Use the pivot adapter to mount the tray on profile slots with separate slot lock for slot 10; pivots up to 45° in both directions; adjust the pivoting range by loosening the screw

Material: Black plastic (PA), fibreglass-reinforced



DESIGNATION	SLOT	ESD	ARTICLE NUMBER
Grab tray, 110 × 210 × 40mm			416500020
Grab tray, 110 × 210 × 40mm		Yes	416500021
Grab tray, 110 × 295 × 40mm			416500022
Grab tray, 110 × 295 × 40mm		Yes	416500023
Adapter	10		416500024
Adapter	10	Yes	416500025

ESD worktop mat DK10



Double-layer composite coating.
 Non-wear synthetic resin.
 Resistant to solder and heat.
 Abrasion-proof.
 No halogens.
 Permanently elastic.
 Volume conductive.

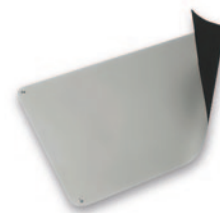
Material thickness: 2 mm

Features: 2 × 10 mm press button, rounded corners

Typical shunt resistance: $R_{gp} = 10^6 - 10^7 \text{ ohm}$

Colour: grey

Size: 1220 × 610 mm



DESIGNATION	ARTICLE NUMBER
ESD worktop mat D10	406516900

Earthing box 3× DK10

Use as earth bonding point (EBP) for personnel earthing.

Colour: yellow

Earth conductor: 2 m long

Connection: 4 mm lug

Per connection: 1 MOhm safety resistance



DESIGNATION	ARTICLE NUMBER
ESD earthing box 3× DK10	406516905

Earthing plug without cable 3× DK10

For direct earthing of table and floor covers, central earthing bars or persons.

Dummy plug for earthing socket.

Colour: yellow



DESIGNATION	ARTICLE NUMBER
Earthing plug without cable 3× DK10	406516910

Earthing plug with cable



Connection: Banana jack, no resistor.

Dummy plug for earthing socket.

For direct earthing of table and floor covers.

Can be combined with wrist strap and earthing contact.



DESIGNATION	ARTICLE NUMBER
Earthing plug, 1 ohm resistance 10 mm DK	416522087

Black helix cable, 2.4m; 10/10mm DK



Highly elastic, 2.4 m long, 2×1 MOhm safety resistance
 earthing contact connector: 10 mm press button
 LGA-tested to BGI 818 (ZH1/267)
 Typical resistance: $R = 2 \times 10^6$ ohm



DESIGNATION	ARTICLE NUMBER
Black helix cable, 2.4 m; 10/10 mm DK	416522100

Dark blue wrist strap, 10 mm DK



Adjustable, elastic, woven-in silver-plated plastic fibres, anti-allergenic
 Typical resistance
 $R < 1 \times 10^3$ ohm (inside)
 $R < 1 \times 10^9$ ohm (outside)



DESIGNATION	ARTICLE NUMBER
Dark blue wrist strap, 10 mm DK	416516908

ESD earthing contact for 10 mm DK



Hex bolt = 7 mm; M6 x 16 thread
 bottom push-button part 10 mm; precision turned part;
 easy to mount; M6 x 15 thread



DESIGNATION	ARTICLE NUMBER
Earthing contact for 10 mm DK (push-button)	416516909

KLT LIFTERS



Page 15|2
KLT lifters



KLT lifter
Front loading



KLT lifter
Lateral loading

KLT lifter

Use the electric box lifter for placing working materials at an ergonomic position.

- Electric geared drive with brake
- Power-coated or galvanised surface
- Magnetic control panel with emergency off switch
- Light sensor adjusts to an infinitely variable working height
- Electronically conductive
- Ready for connection (by earthed plug)
- CE mark of conformity

For further details, please visit us at:

→ www.syskomp-group.com



ROLLER CONVEYOR SECTIONS



Page 16|2
Roller section



Page 16|5
Roller element R9



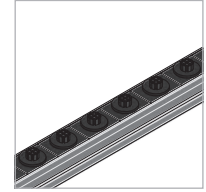
Page 16|6
Slide strip



Page 16|6
Ramp



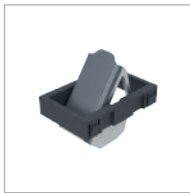
Page 16|7
Ball element



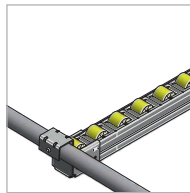
Page 16|7
Brush element



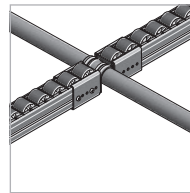
Page 16|8
Brake



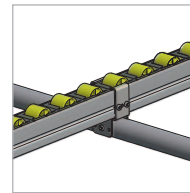
Page 16|8
Return stop



Page 16|9
Rail bracket



Page 16|10
Variable bracket



Page 16|10
Bracket mount



Page 16|11
Terminal connector



Page 16|13
Lean shelf

FIFO

"First in - first out" means that the material placed into stock is also the first to be withdrawn from stock.

LEAN

"Lean production" is self-explanatory.

It aims to reduce the costs and increase the efficiency of all production processes which, in turn, results in optimised productivity.

The main idea is to avoid waste e.g. by eliminating unnecessary stock and avoiding overproduction.

Our state-of-the-art and modular shelf or conveyor systems is an easy and cost-efficient means of reflecting your production process by manual chaining.

Rollers with or without flange are available in various colours and intended to indicate your stock at hand (Kanban) or the "ok" or "not ok" parts.

Empties are returned by a separate conveyor that is part of the shelf system.

Owing to their modular design, the conveyor sections easily adapt to materials of varying sizes.

Roller loads

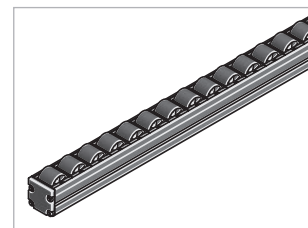
DESIGNATION	F= LOAD PER MOUNTED ELEMENT
Roller D28, roller spacing 50	125 N
Roller D28, roller spacing 33	125 N
Semi-roller H26	150 N
Roller R9	300 N (5 rollers per cage)

Fully assembled roller conveyor section

Easily and quickly installs your roller track.

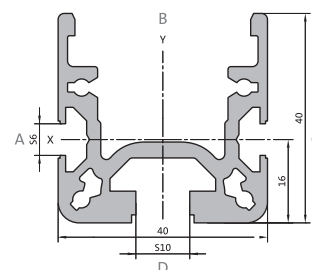
Upon request.

Please contact us. We will respond quickly and without further ado by proposing a price and delivery time of your sections to you.



Aluminium roller profile 6/10

Article number	8114040 (20 bars, 6000 mm each) 8119940 / max. length: 6000 mm
Article number	8114040E (20 bars, 6000 mm each) 8119940E / max. length: 6000 mm
Profile	40 × 40
Slot	6/10 mm
Mass	1.36 kg/m
Moment of inertia	$I_x = 10.29 \text{ cm}^4$; $I_y = 5.88 \text{ cm}^4$
Section modulus	$W_x = 5.15 \text{ cm}^3$; $W_y = 2.31 \text{ cm}^3$
Profile surface	5.03 cm^2



Roller holder D28, roller spacing 50 / partition 50

Pre-assembled roller element.

Smoothly running rollers for general use.

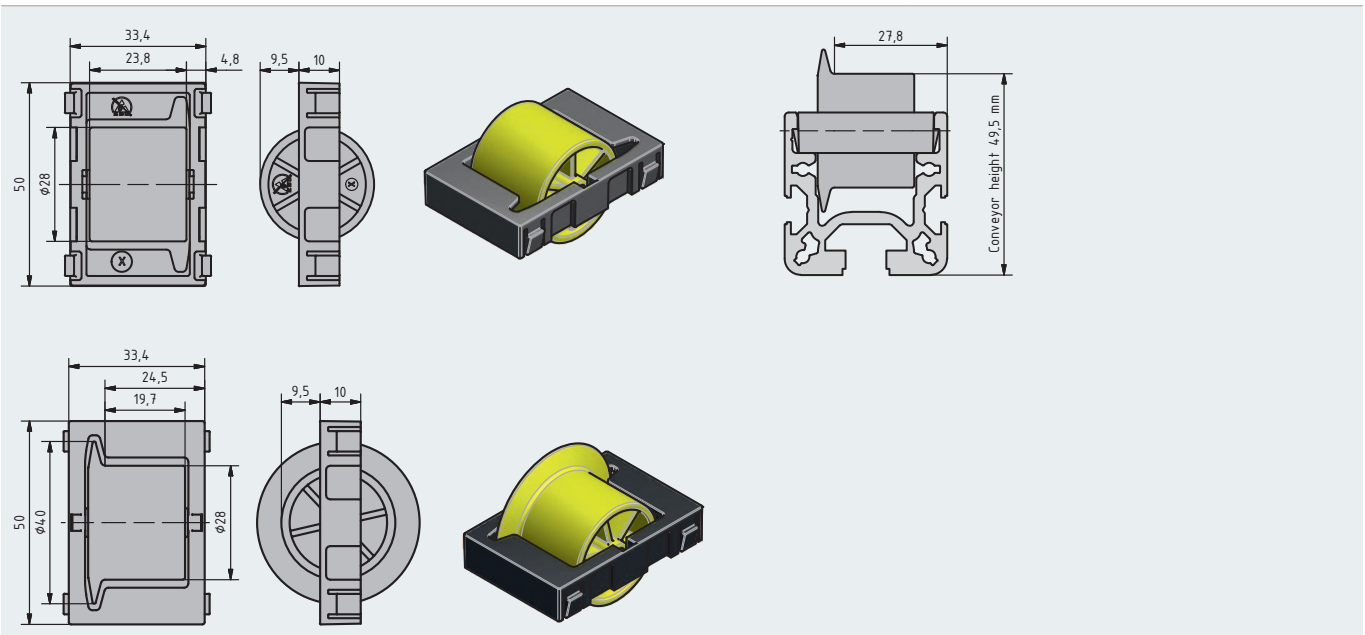
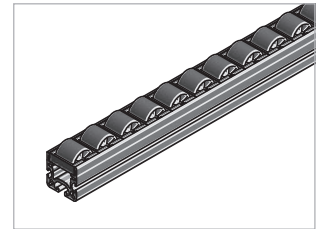
Different colours support the use of fill level marks.

ESD version available.

Material: Cage: plastic (PA), fibreglass reinforced

Roller: plastic (PA), glass bead-reinforced

Axle: galvanised steel

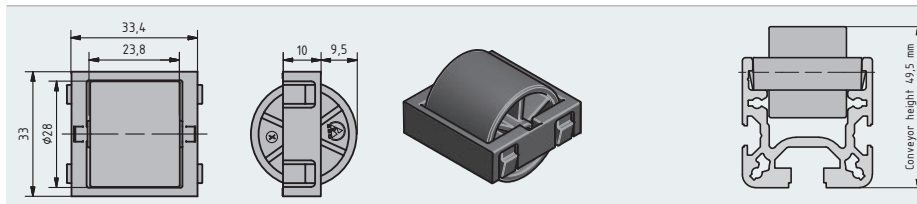
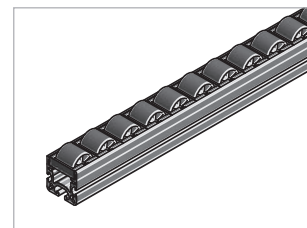


DESIGNATION	COLOUR	ESD	WEIGHT (g)	ARTICLE NUMBER
Roller element without flange	black		19.0	801150
Roller element without flange	black		16.0	801155
Roller element without flange	red, similar to RAL3020		19.0	801151
Roller element without flange	yellow, similar to RAL1003		19.0	801152
Roller element without flange	green, similar to RAL6032		19.0	801153
Roller element without flange	grey, similar to RAL7035		19.0	801154
Roller element with flange	black		22.0	801200
Roller element with flange	black		17.0	801205
Roller element with flange	red, similar to RAL3020		22.0	801201
Roller element with flange	yellow, similar to RAL1003		22.0	801202
Roller element with flange	green, similar to RAL6032		22.0	801203
Roller element with flange	grey, similar to RAL7035		22.0	801204

Roller holder D28, roller spacing 33 / partition 33

Pre-assembled roller element.
 Smoothly running rollers for general use.
 Different colours support the use of fill level marks.
 ESD version available.

Material: Cage: plastic (PA), fibreglass reinforced
 Roller: plastic (PA), glass bead-reinforced
 Axle: galvanised steel

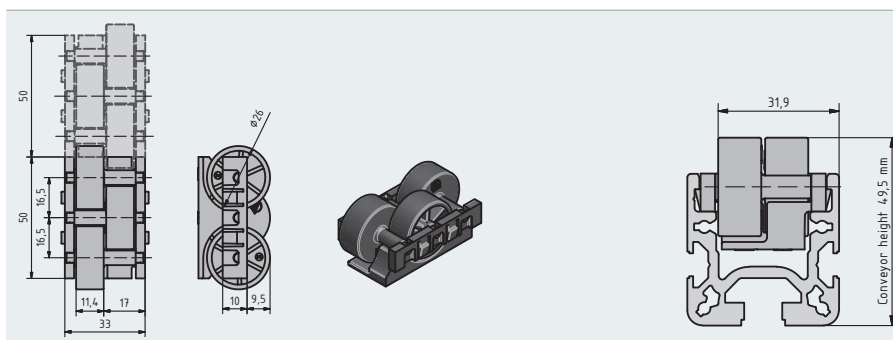


DESIGNATION	COLOUR	ESD	WEIGHT (g)	ARTICLE NUMBER
Roller element D28, roller spacing 33	black		19.0	801050
Roller element D28, roller spacing 33	black		16.0	801055
Roller element D28, roller spacing 33	red, similar to RAL3020		19.0	801051
Roller element D28, roller spacing 33	yellow, similar to RAL1003		19.0	801052
Roller element D28, roller spacing 33	green, similar to RAL6032		19.0	801053
Roller element D28, roller spacing 33	grey, similar to RAL7035		19.0	801054

Roller element H26, roller spacing 16.5 / partition 50

Pre-assembled D26 roller element for roller rails.

Material: Cage, roller: Plastic (PA), glass bead-reinforced
 Axle: galvanised steel

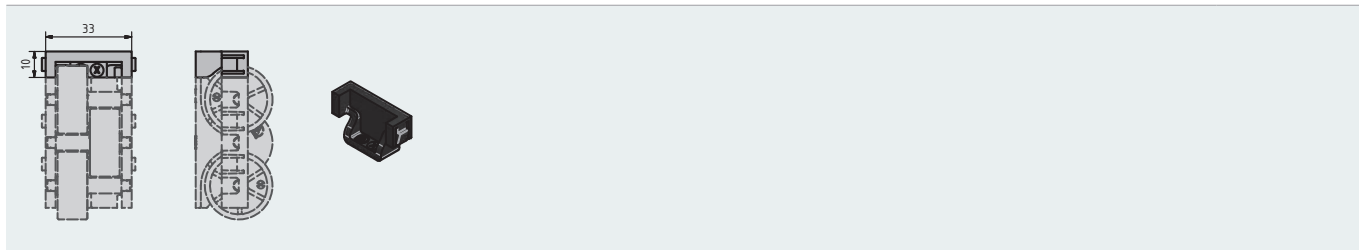


DESIGNATION	COLOUR (ROLLER/CAGE)	ESD	WEIGHT (g)	ARTICLE NUMBER
Roller element H26	black/black		16.0	801100
Roller element H26	black/black		15.0	801105
Roller element H26	red, similar to RAL3020/black		16.0	801101
Roller element H26	yellow, similar to RAL3020/black		16.0	801102
Roller element H26	green, similar to RAL3020/black		16.0	801103
Roller element H26	grey, similar to RAL7035/black		16.0	801104
Roller element H26	grey, similar to RAL7035/grey, similar to RAL7035		16.0	801106

Cage for end fitting

Use the holder to ensure that the semi-roller fits smoothly.

Material: plastic (PA), fibreglass reinforced



DESIGNATION	ESD	L = (mm)	WEIGHT (g)	ARTICLE NUMBER
Cage for end fitting		20	4.0	800400
Cage for end fitting		20	4.0	800401

Roller element R9

Pre-assembled R9 roller element for AL roller rails.

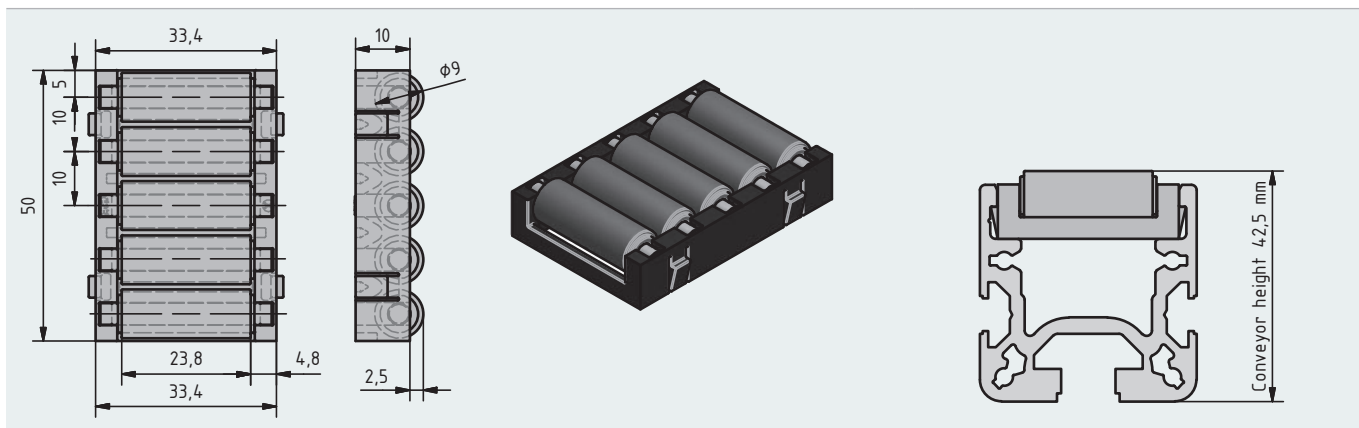
Very durable conveyor rollers for roller rails. The small roller spacing supports the use of steady transport sections.

Quickly replaceable.

Material: Cage: black plastic (PA), fibreglass reinforced

Roller: plastic (PA), glass bead-reinforced

Axle: galvanised steel



DESIGNATION	COLOUR (ROLLER/CAGE)	ESD	WEIGHT (g)	ARTICLE NUMBER
Roller element with roller	black/black		15.0	801250
Roller element with roller	black/black		16.0	801255
Roller element with roller	red, similar to RAL3020/black		15.0	801251
Roller element with roller	yellow, similar to RAL1003/black		15.0	801252
Roller element with roller	green, similar to RAL6032/black		15.0	801253
Roller element with roller	grey, similar to RAL7035/black		15.0	801254
Roller element with roller	grey, similar to RAL7035/grey, similar to RAL7035		15.0	801256

Slide strip

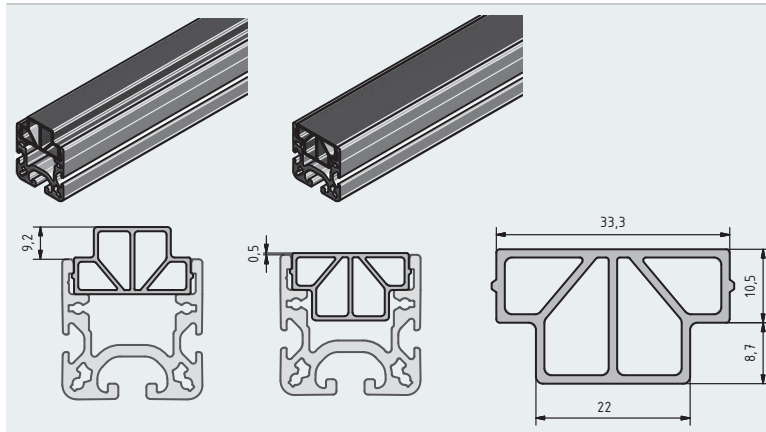
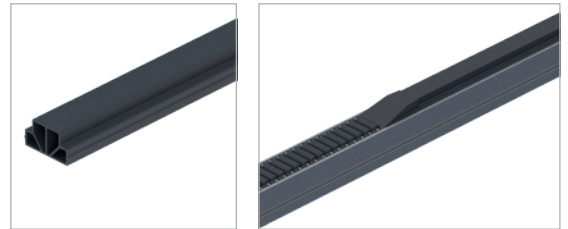


Low-wear plastic slide strips for easy goods transport.
Two different installation heights.

Material: plastic (PE-HD), electrostatic discharge capability

Colour: black

Extras: ask for other colours



DESIGNATION	LENGTH (mm)	WEIGHT (g)	ARTICLE NUMBER
Slide strip	2000	324.0	801360

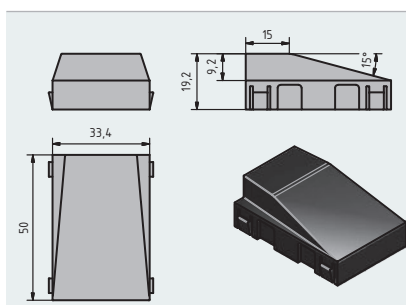
Ramp

Smooth changing from higher to lower rails and vice versa.

Material: plastic (PA), fibreglass reinforced

Colour: black

Extras: ask for other materials and colours



DESIGNATION	DESIGN	WEIGHT (g)	ARTICLE NUMBER
Slide ramp AL		50	800200
Slide ramp AL		50	800201

Ball element

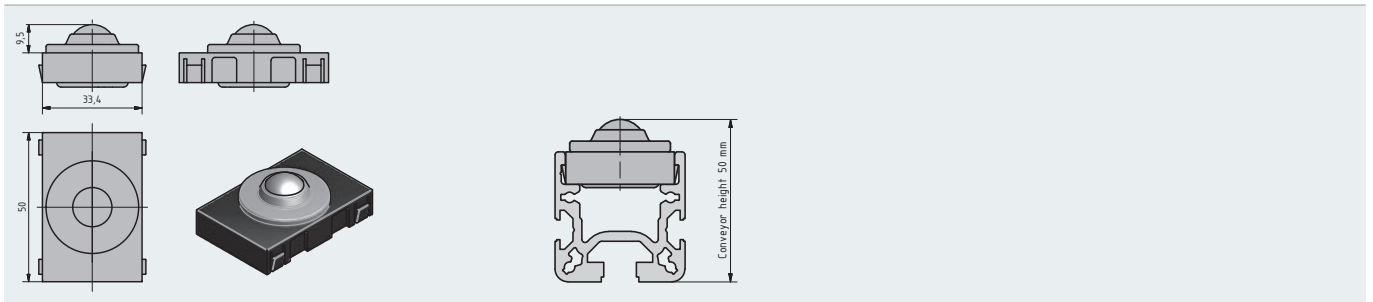
Pre-assembled ball element for roller rail AL enables the infeed / discharge of goods and ensures a smooth sliding along the roller rail.

The ball element holder also fits in surface elements.

Material: Cage: plastic (PA), carbon fibre reinforced, black

Ball: stainless steel

Ball housing: galvanised steel



DESIGNATION	WEIGHT (g)	ARTICLE NUMBER
Ball element	72.0	801370

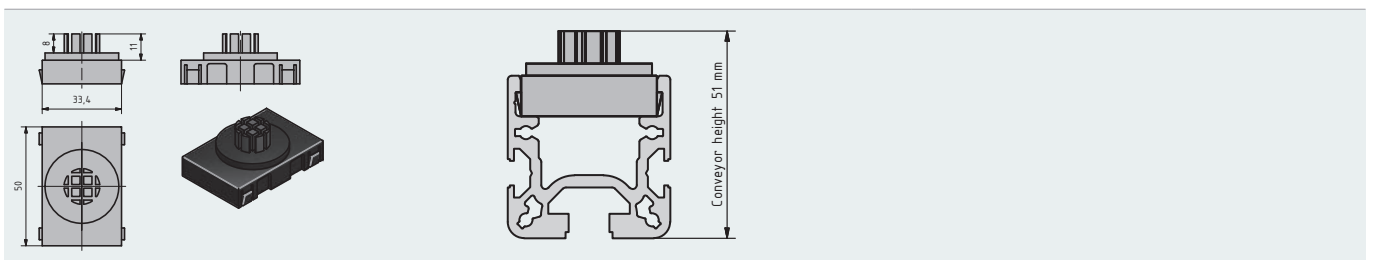
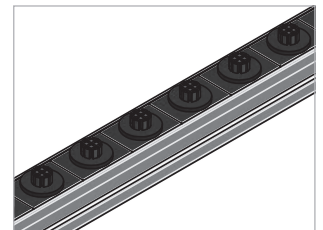
Brush element

Pre-assembled brush element for roller rail AL. Its elastic bristles ensure a smooth sliding of goods along the roller rail.

Scratch protection by minimised area of contact.

ESD-ready brush holder for use in surface elements.

Material: Black plastic (PA), carbon fibre reinforced

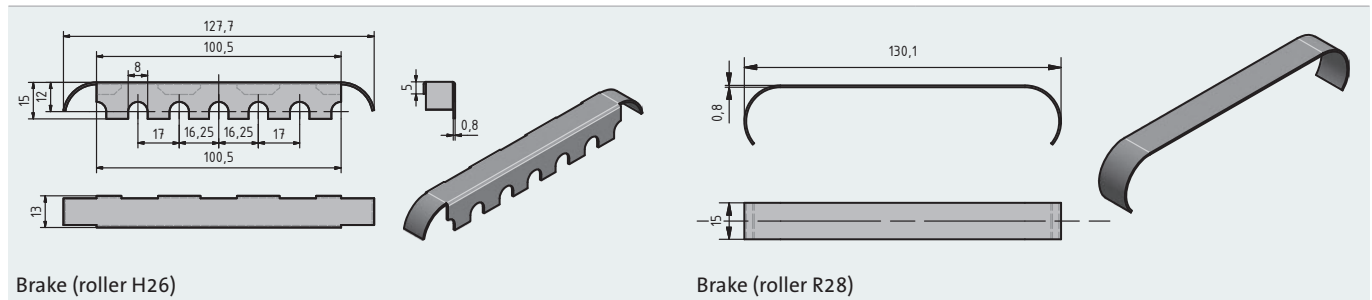
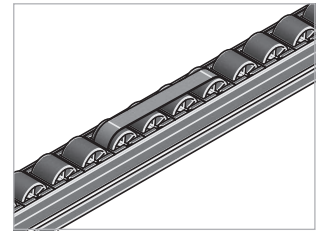


DESIGNATION	ESD	WEIGHT (g)	ARTICLE NUMBER
Pre-assembled brush element with brush		15.0	801371

Brake

For slowing down goods on the roller rail.
The brake quickly and easily mounts on the roller.

Material: Uncoated stainless steel



Brake (roller H26)

Brake (roller R28)

DESIGNATION	WEIGHT (g)	ARTICLE NUMBER
Brake H26	18.0	801340
Brake R28	15.0	801320

Return stop

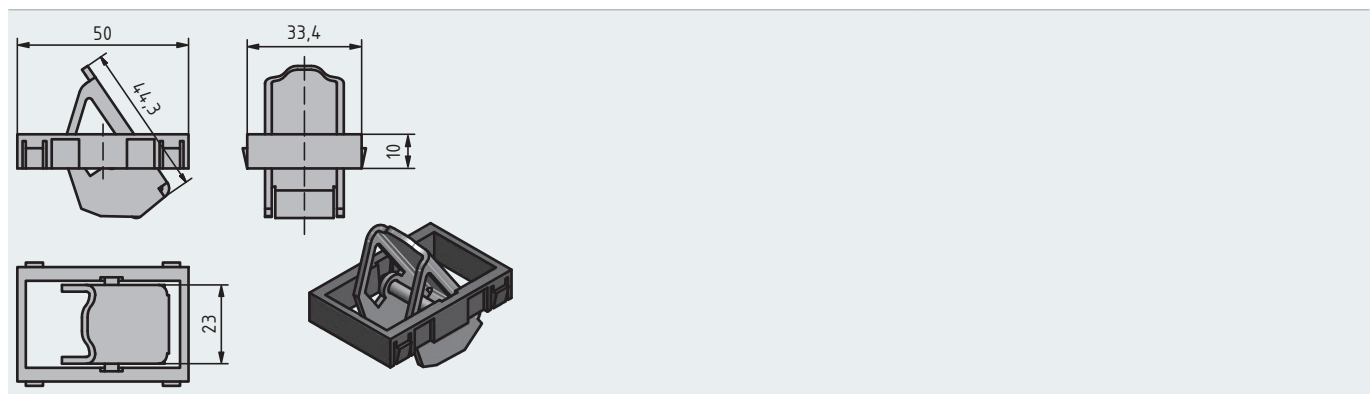
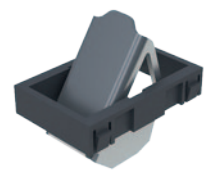


Pre-assembled return stop element for use on roller rails.
Prevents goods from moving backwards along the roller rail.

Material: Cage: plastic (PA), carbon fibre reinforced

Return stop: steel

Axle: galvanised

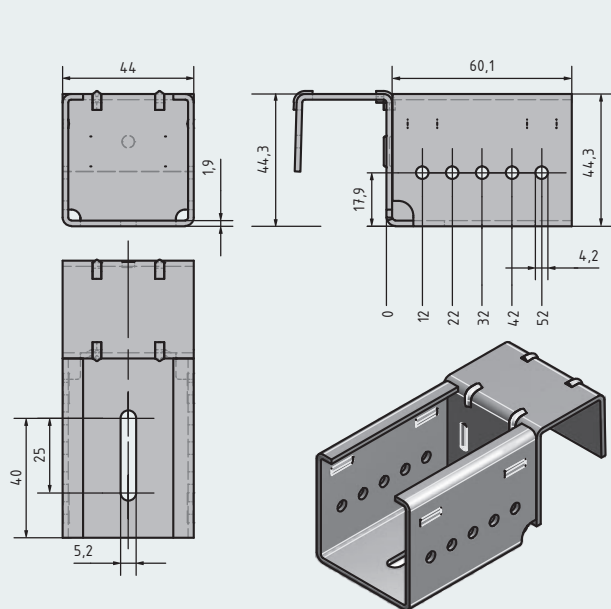
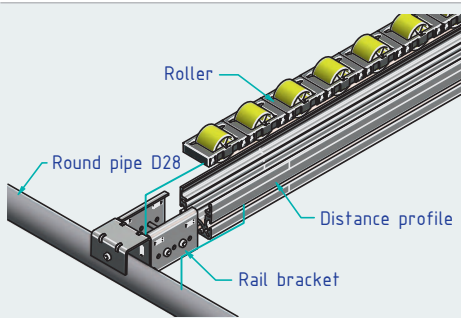
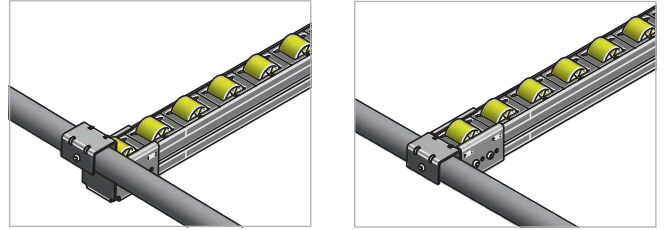


DESIGNATION	WEIGHT (g)	ARTICLE NUMBER
Return stop 50; ESD; galvanised steel	44.0	801330

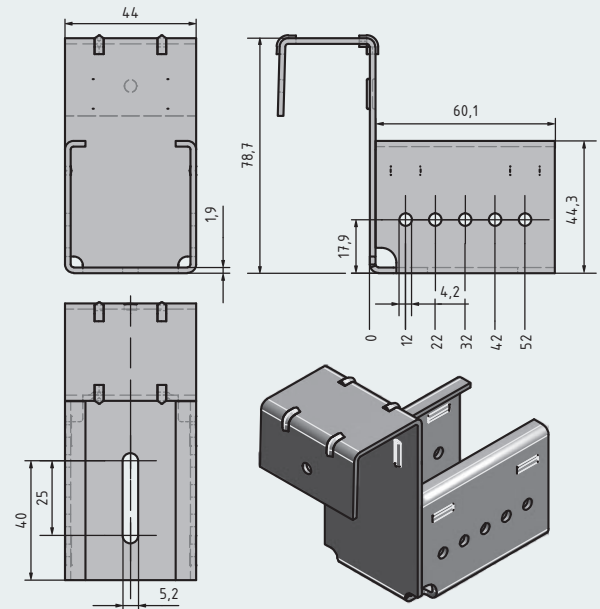
Rail bracket

Use the rail brackets to mount rails on D28 and D28L round pipes

Material: Hook-in bracket & mounting kit: galvanised steel



Straight rail bracket without stopper



Straight rail bracket with stopper

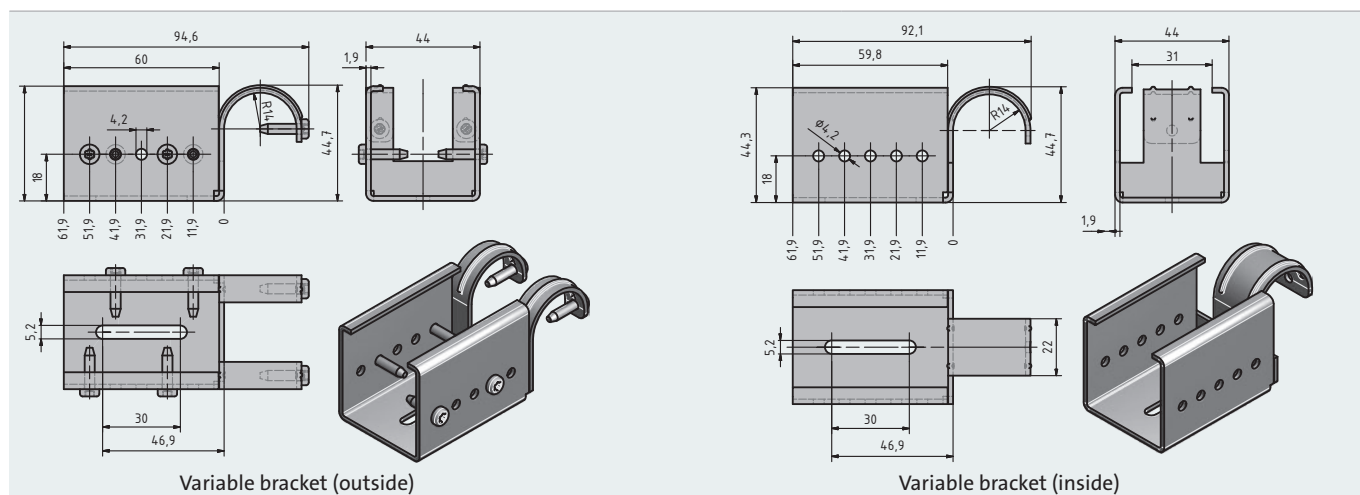
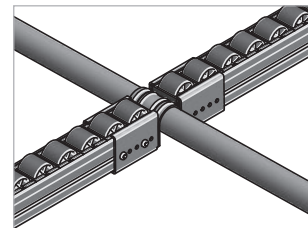
DESIGNATION	ARTICLE NUMBER
Straight rail bracket without stopper	800550
Straight rail bracket without stopper; 5 self-tapping screws (3.9 × 16) included	800552
Straight rail bracket with stopper	800551
Straight rail bracket with stopper; 5 self-tapping screws (3.9 × 16) included	800553

Variable bracket

Use to make roller rails with varying slopes.
Also mount roller rails on the D28 round pipe system.

Material: galvanised steel

Mount: self-tapping screws (3.9 × 16, DIN7504) included

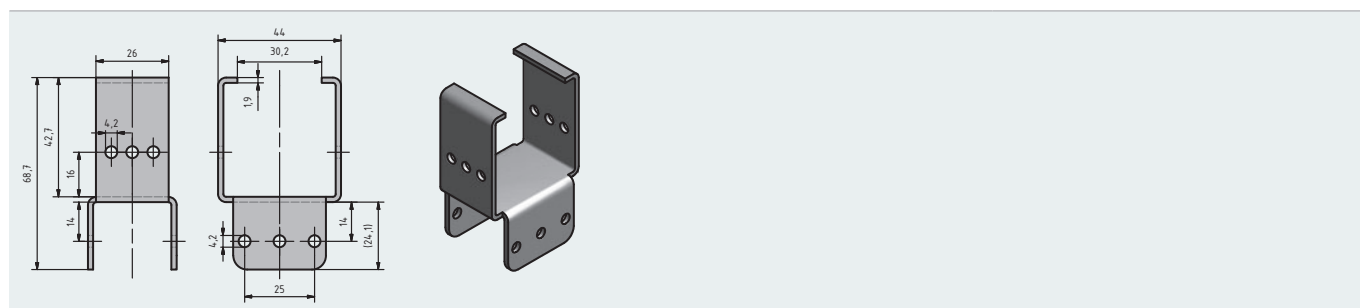
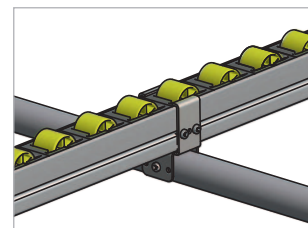


DESIGNATION	ARTICLE NUMBER
Variable outside bracket, AL D28	800500
Variable outside bracket set, AL D28	800502
Variable inside bracket, AL D28	800501
Variable inside bracket set, AL D28	800503

AL D28 bracket mount

Fastens and mount a roller rail on round pipe system D28. The rail may also be screwed down to act as a supporting bar

Material: galvanised steel



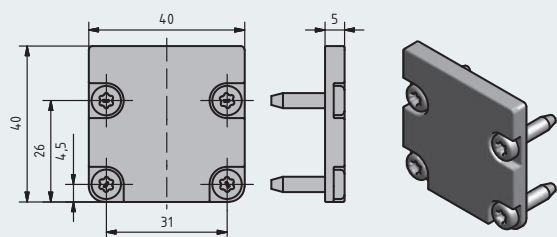
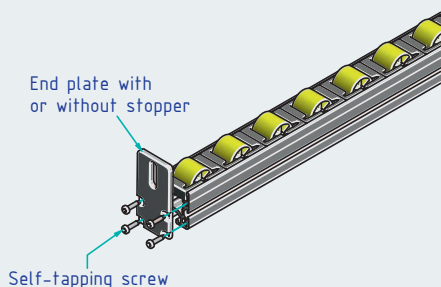
DESIGNATION	WEIGHT (g)	ARTICLE NUMBER
AL D28 bracket mount	76.0	801310
AL D28 bracket mount set; 6 self-tapping screws (3.9 × 16, DIN7504) included	88.0	801311

End plate

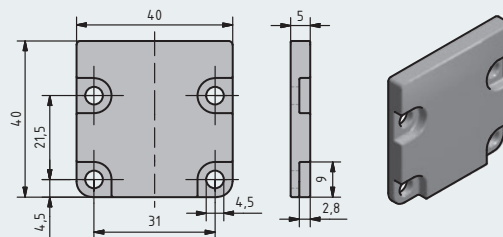
Secures transport holders on the roller rail.
 May also be used as buffer stop holder.
 Two lengths are available. Use the shorter version to cover the roller rail's face end and to prevent the transport holders from slipping out. A buffer stop may be affixed to the longer version.

Material: End plate: galvanised steel
 Mounting kit: galvanised steel

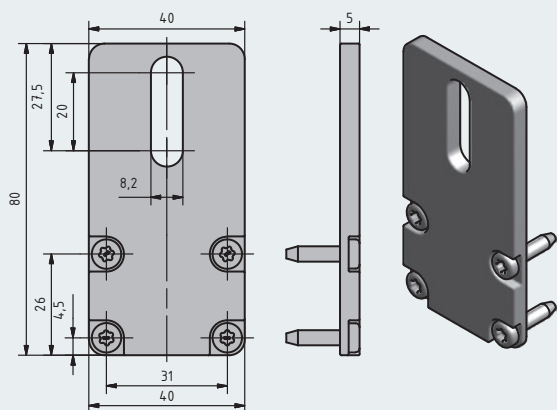
Mounting kit: 4 self-tapping screws (9 × 16, DIN7504-3) included



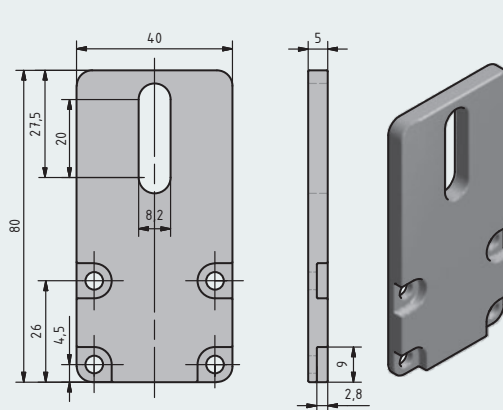
End plate 40 × 40 × 5 plus mounting kit



End plate 40 × 40 × 5



End plate 40 × 80 × 5 plus mounting kit



End plate 40 × 80 × 5

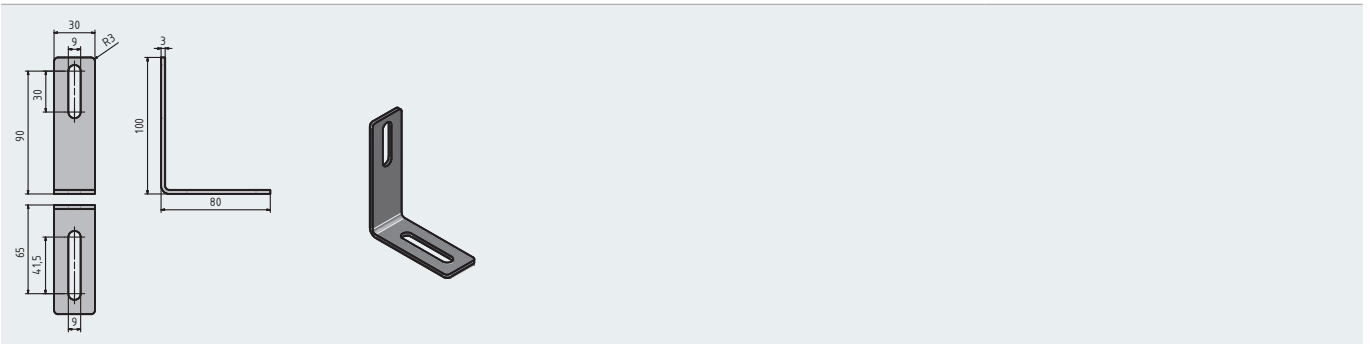
DESIGNATION	DIMENSIONS (mm)	WEIGHT (g)	ARTICLE NUMBER
End plate	40 × 40 × 5	55	801000
End plate plus mounting kit	40 × 40 × 5	63	801001
End plate	40 × 80 × 5	108	801002
End plate plus mounting kit	40 × 80 × 5	124	801003
Self-tapping screw (3.9 × 16, DIN7504), galvanised steel			801300

Side guides

Guide roller sections without separate flange.

Package includes: 4 brackets

Mounting material: On-site



DESIGNATION	MATERIAL	ARTICLE NUMBER
Side guide bracket	Stainless steel, vibratory ground	402535126

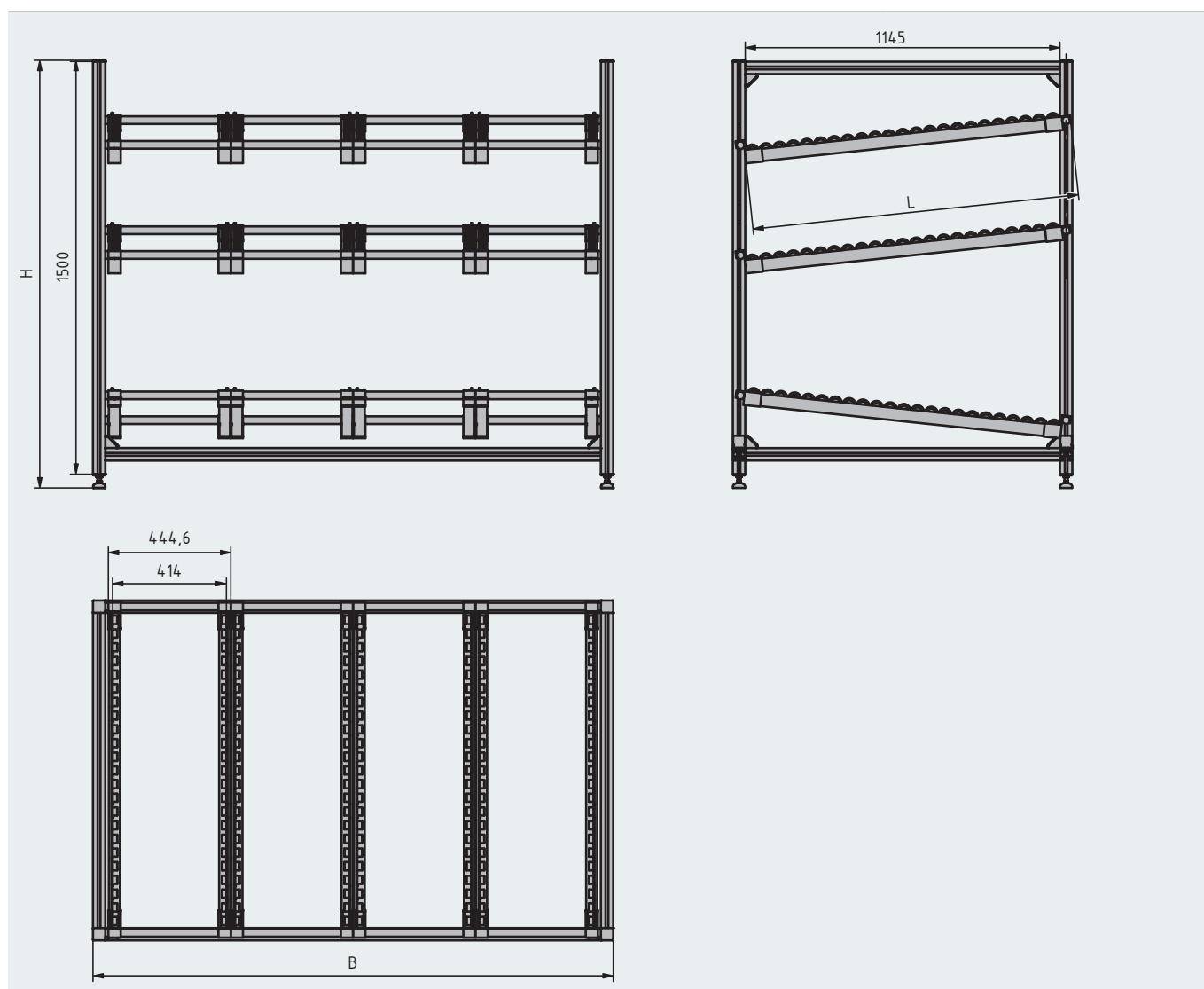
Lean shelf

Features:

Roller section with flange

8 feeder sections with stopper (adjustable width)

1 return section with stopper (adjustable width)



DESIGNATION	B (mm)	H (mm)	L (mm)	ARTICLE NUMBER
Lean shelf 1200 kit	1890	1554	1190	50160
Assembled lean shelf 1200	1890	1554	1190	50161
Lean shelf 1800 kit	1890	1554	1790	50164
Assembled lean shelf 1800	1890	1554	1790	50165
Lean shelf 2400 kit	1890	1554	2390	50168
Assembled lean shelf 2400	1890	1554	2390	50169

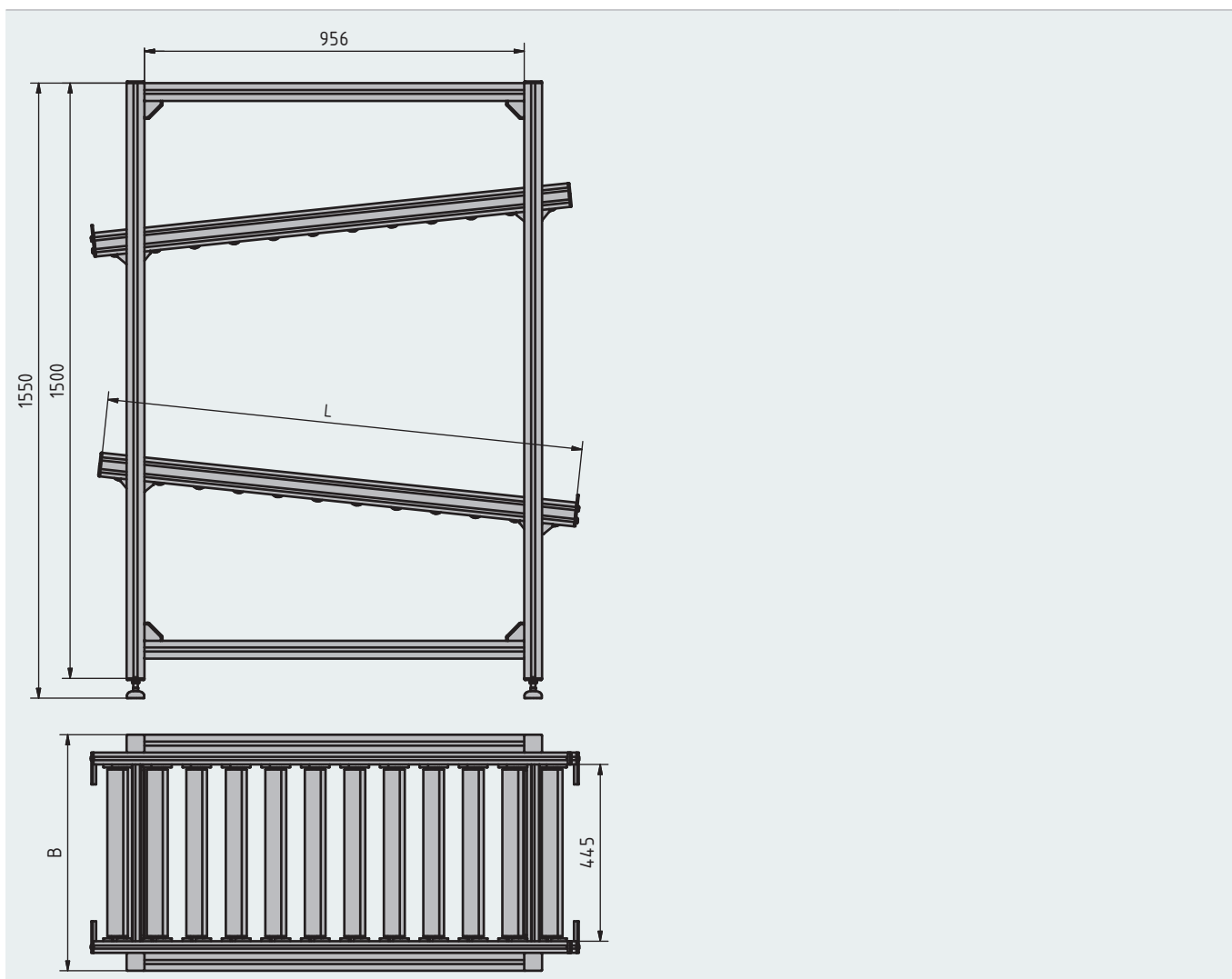
FIFO shelf

Features:

High-load support rollers of galvanised steel

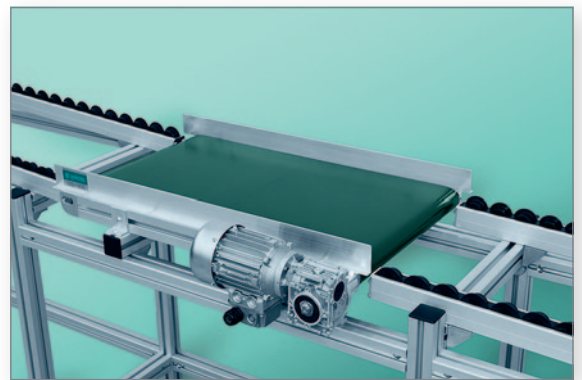
1 feeder section with stopper

1 return section with stopper



DESIGNATION	B (mm)	L (mm)	HEIGHT (mm)	ARTICLE NUMBER
FIFO shelf 1200 kit	595	1200	1550	50140
Assembled FIFO shelf 1200	595	1200	1550	50141
FIFO shelf 1800 kit	595	1800	1550	50144
Assembled FIFO shelf 1800	595	1800	1550	50145
FIFO shelf 2400 kit	595	2400	1550	50148
Assembled FIFO shelf 2400	595	2400	1550	50149

PRACTICAL EXAMPLES





APPENDIX

Chemical resistance of plastic materials

CHEMICAL	CONCENTRATION [%]	AT +°C	POLYAMIDE PA	POLYPROPYLENE PP	THERMOPLASTIC ELASTOMER TPE
Exhaust fumes containing carbon dioxide	minor	20	+	+	+
Exhaust fumes containing sulphur dioxide	minor	20	o	+	+
Acetaldehyde	40	20	o	+	-
Acetone	100	20	+	+	+
Acrylic acid	100	30	+	-	-
Alum, aqueous	diluted	20	+	+	+
Allyl alcohol	96	20	-	o	+
Aluminium chloride, aqueous	diluted	40	+	+	+
Aluminium sulphate, aqueous	diluted	40	+	+	+
Formic acid, aqueous	10	20	o	+	-
Ammonia, aqueous	saturated	20	o	+	+
Ammonium chloride, aqueous	saturated	20	+	+	+
Ammonium nitrate, aqueous	saturated	20	+	+	+
Ammonium sulphate, aqueous	saturated	40	+	+	+
Pure aniline	100	20	o	+	+
Aniline hydrochloride, aqueous	saturated	20	-	+	o
Benzaldehyde, aqueous	saturated	20	o	+	-
Petrol	100	20	+	o	o
Benzoic acid, aqueous		20	o	+	o
Benzene	100	20	o	-	-
Beer		23	+	+	+
Bleach	12.5 Cl	20	-	+	-
Cutting oil			+		
Borax, aqueous	diluted	40	+	+	+
Boric acid, aqueous	diluted	20	o	+	+
Liquid bromine	100	20	-	-	-
Hydrobromic acid	40	40	-	+	-
Butandiol	pure	20	+	+	+
Butanol	pure	20	+	+	o
Butyl acetate	100	20	+	-	o
Calcium chloride, aqueous	saturated	40	+	+	+
Chlorine		20	-	-	-
Chrome alum, aqueous	saturated	40	o	+	20 °C+
Cyclohexanol	pure	20	+	+	-
Diesel fuel		85	+	20 °C-	-
Distilled water		23	+	+	+
Iron chloride	saturated	20	o	+	+
Glacial acetic acid	100	20	-	o	-
Acetic acid	10	20	-	+	+
Ethyl alcohol	40	20	+	+	+
Ethylene chloride	100	20	o	o	-
Ethylene oxide	100	20	o	o	-
Ethyl ether	100	20	+	-	-
Potassium ferrocyanide, aqueous	saturated	60	+	+	+
Fluor		40	-	-	-
Formaldehyde, aqueous	30	40	o	+	+
Fruit juice		23	+	+	+
Vegetable juice		23	+	+	-
Glucose, aqueous		50	+	+	+
Urea, aqueous	up to 10	40	+	+	+
Hardly inflammable hydraulic fluid		80	+	+	-
Hydraulic oils H and HL (DIN 51524)		100	+	+	-
Hydroxyl ammonium sulphate	up to 12	30		+	+
Caustic potash, aqueous	50	20	+ / 50°C-	+	+
Potassium bromide, aqueous		20	o	+	+

CHEMICAL	CONCENTRATION [%]	AT +°C	POLYAMIDE PA	POLYPROPYLENE PP	THERMOPLASTIC ELASTOMER TPE
Potassium chloride, aqueous	10	20	+	+	+
Potassium dichromate, aqueous	40	20	-	+	+
Potassium nitrate, aqueous		20	+	+	+
Potassium permanganate, aqueous		20	-	+	+
Hexafluorosilic acid, aqueous	up to 32	20	-	+	-
Dry carbon dioxide	100	60	+	+	o
Carbon dioxide	100	60	+	+	+
Cresol, aqueous	up to 90	20	-	o	-
Coolants (DIN 53521)		120	o		
Copper chloride, aqueous		20	-	+	+
Copper sulphate, aqueous		60	+	+	+
Magnesium carbonate	saturated	100	+	+	+
Magnesium chloride, aqueous		20	+	+	+
Seawater			+	+	+
Methyl alcohol	100	20	o	+	+
Methylene chloride	100	20	o	o	-
Milk		23	+	+	o
Lactic acid, aqueous	up to 85	20	+	+	-
Mineral oils			+	+	-
Sodium chlorate, aqueous		20	o	+	+
Caustic soda, aqueous	up to 60	20	+	+	+
Nickel chloride, aqueous	saturated	20	10% o	+	+
Nickel sulphate, aqueous	saturated	20	10% o	+	+
Oils and greases, vegetable		20	+	o	-
Oleic acid		20	+	+ /50°C o	-
Oxalic acid, aqueous		20	-	+	+
Ozone	pure		-	o	+
Petroleum	pure	20	+	+ /50°C o	-
Phosgene, gaseous	100	20	+	-	-
Phosphorous pentoxide	pure	20	-	+	o
Phosphoric acid, aqueous	up to 30	20	-	+	+
Mercury	pure	20	+	+	+
Nitric acid, aqueous	50	20	-	o	-
Hydrochloric acid, aqueous	35	20	-	+	o
Greases, ester oil-based		110	o		
Greases, polyphenyl ester-based		110	+		
Greases, silicone oil-based		110	+	+	+
Carbon disulphide	100	20	o	-	-
Sodium disulphide, aqueous		20	+	+	+
Sulphuric acid, aqueous	50	20	-	+	
Soapsuds, aqueous		20	-	+	+
Cooking oils		23	+	+	
Carbon tetrachloride	100	20	-	-	
Toluene	100	20	+	-	-
Trichloroethylene	100	20	o	-	-
Vinyl acetate	100	20	+	+ /50°C-	+
Hydrogen	100	20	+	+	+
Wine		23	+	+	+
Whisky		23	+	+	+
Xylene	100	20	+	-	-
Zinc chloride, aqueous		60	-	+	+
Zinc sulphate, aqueous		60	-	+	+
Tin chloride, aqueous		40	-	+	+
Citric acid	up to 10	40	+	+	+

+ good resistance

o medium resistance

- insufficient resistant (not recommended)

Thermal stability of PA6

PA6, FIBREGLASS REINFORCED	MAX. SERVICE TEMPERATURE (°C)	MIN. SERVICE TEMPERATURE (°C)
some hours	210	
permanent	110	-30

Electrostatic discharge capability

Shunt resistance $< 10^9 \Omega$

All details are non-guaranteed recommendations. They shall be backed up by trials for every case of application. They do not give rise to any legal claims.

CERTIFICATIONS

Our companies are certified according to the following stipulations:



gehmeyr GmbH & Co. KG

Auerbacher Straße 2
93057 Regensburg
GERMANY

Tel. +49 941 69681-0
Fax +49 941 69681-49
info@gehmeyr.de
www.syskomp-group.com



bfm GmbH

Resselstraße 7
2752 Wöllersdorf
AUSTRIA

Tel. +43 2633 42040-0
Fax +43 2633 42040-34
bfm@bfm.at
www.syskomp-group.com



We do not warrant that all details are correct. They are solely intended to help you find the information you need but do not claim to be correct or complete. Modifications are reserved since we are permanently extending our product portfolio.

All details are for information only and without responsibility. They do not justify any legal claims.

TABLE OF CONTENTS

► Technical data/profile machining 1|1

Tolerances	1 2
Bending/calculation	1 3
Straightness tolerance	1 3
Torsional tolerance	1 4
Load capacity of profile slot	1 4
Machining of centre bolt	1 5
Machining of bolts	1 6
Machining of quick-acting connectors	1 7
Machining of bending quick-acting connectors	1 8
Machining of aluminium profiles – slot 6	1 9
Machining of aluminium profiles – slot 8	1 10
Machining of aluminium profiles – slot 10	1 11
Machining of cross connector F1	1 12
Machining of safety grid profile	1 12
Radius compensation	1 13
Ordering machined profiles	1 14

► Profiles 2|1

Aluminium profile 20 × 20	2 2
Aluminium profile 20 × 20 2N	2 2
Aluminium profile 20 × 20 3N	2 2
Aluminium profile 20 × 20 2NVS	2 2
Aluminium profile 20 × 20 R	2 3
Aluminium profile 20 × 40	2 3
Aluminium profile 30 × 30	2 4
Aluminium profile 30 × 30 1N	2 4
Aluminium profile 30 × 30 2N	2 4
Aluminium profile 30 × 30 3N	2 4
Aluminium profile 30 × 30 2NVS	2 5
Aluminium profile 30 × 30 R	2 5
Aluminium profile 30 × 45	2 5
Aluminium profile 30 × 60	2 5
Aluminium profile 30 × 45°	2 6
Aluminium profile 30 × 60°	2 6
Aluminium profile 30 × 60 × 60	2 6
Aluminium profile 40 × 40L	2 7
Aluminium profile 40 × 40L 3N	2 7
Aluminium profile 40 × 40L 2NVS	2 7
Aluminium profile 40 × 40L 2N	2 8
Aluminium profile 40 × 40L R	2 8
Aluminium profile 40 × 80L	2 8
Aluminium profile 40 × 80 × 80L	2 9
Aluminium profile 40 × 120L	2 9
Aluminium profile 80 × 80L	2 10
Aluminium profile 45 × 45L	2 10
Aluminium profile 45 × 45	2 10
Aluminium profile 45 × 45L 1N	2 11
Aluminium profile 45 × 45L 2N	2 11
Aluminium profile 45 × 45L 2NVS	2 11
Aluminium profile 45 × 45L 3N	2 12
Aluminium profile 45 × 45L R	2 12
Aluminium profile 45 × 30°	2 12
Aluminium profile 45 × 45°	2 13
Aluminium profile 45 × 60	2 13
Aluminium profile 45 × 60°	2 13
Aluminium profile 45 × 90L	2 14
Aluminium profile 45 × 90L 2N	2 14
Aluminium profile 45 × 90L 3NVS	2 14
Aluminium profile 45 × 90L 4N	2 15
Aluminium profile 45 × 90 × 90L	2 15
Aluminium profile 45 × 90	2 15
Aluminium profile 45 × 180	2 16
Aluminium profile 90 × 90L	2 16
Aluminium profile 90 × 90	2 17
Aluminium profile 90 × 180L	2 17
Aluminium profile 90 × 180	2 18

Aluminium profile 50 × 50L	2 19
Aluminium profile 50 × 100L	2 19
Aluminium profile 100 × 100L	2 20
Aluminium profile 60 × 60L	2 21
Aluminium profile 60 × 60	2 21
Aluminium profile 60 × 90	2 21
Aluminium profile 11 × 20	2 22
Aluminium profile 15 × 22.5	2 22
Aluminium profile 22.5 × 45	2 22
Aluminium profile 22.5 × 180	2 23
Frame profile 22.5 × 30	2 23
Frame profile 22.5 × 45	2 23
Sliding door profile AL45	2 24
Safety grid profile 30 × 30 WG30	2 24
Safety grid profile 30 × 30 WG40	2 24
Safety grid profile 30 × 45 WG30	2 25
Safety grid profile 30 × 45 WG40	2 25

► Profile accessories 3|1

Cover profiles	3 2
Cover and lining profile	3 3
Aluminium profile caps	3 4

► Fasteners 4|1

Hammer head nut	4 2
Hammer head nut ES	4 2
Slot nut	4 3
Slot nut profile	4 3
Pivoting slot nut	4 4
Pivoting slot nut profile	4 4
Spring	4 4
Pivoting slot nut with spring	4 5
Pivoting slot nut with grub screw	4 5
Hammer head screw	4 6
Union nut	4 6
Rhomboid nut Slot 8	4 7
Expanding nut	4 7
Round head screws, ISO 7380, strength category 10.9	4 8
Round head screws with flange, standard 7380	4 9
Countersunk screws (DIN 7991) with 8.8 hexagon socket	4 9
Cheese head screw (DIN7984) with hexagon socket	4 10
Cheese head screw (DIN ISO 4762) with 8.8 hexagon socket	4 11
Quick-acting connector	4 13
Quick-acting connector loads	4 14
Machining of quick-acting connector	4 14
Bending quick-acting connector, face - slot	4 15
Loads of face-to-slot bending quick-acting connector	4 15
Bending quick-acting connector, face - face	4 16
Loads of face-to-face bending quick-acting connector	4 16
Machining of bending quick-acting connector	4 17
Quick-acting connector 9.8 with small clamping sleeve	4 18
Loads of quick-acting connector 9.8 with small clamping sleeve	4 18
Machining of quick-acting connector 9.8	4 18
Machining of quick-acting connector 9.8 on profiles with closed slots	4 18
Bolt connectors	4 19
Bolt connector loads	4 20
Machining of bolts	4 20
Centre bolt	4 20
Centre bolt loads	4 21
Machining of centre bolt	4 21
T-Matic connector	4 22
Milling connector	4 23
Cross connector	4 24
Machining of cross connector F1	4 24
Inside bracket	4 25
Inside bracket loads	4 25

Bracket 20 × 20	4 26
Bracket 20 × 40	4 27
Bracket 20 × 28	4 27
Bracket 30 × 30	4 28
Bracket 30 × 60	4 29
Bracket 30 × 120	4 29
Bracket 40 × 40	4 30
Bracket 40 × 80	4 30
Bracket 43 × 42	4 31
Bracket 45 × 45	4 31
Bracket 45 × 90	4 32
Bracket 45 × 180	4 32
Bracket 60 × 60	4 33
Bracket 80 × 80	4 34
Bracket 90 × 90	4 34
Steel angle	4 35
Bracket set	4 35
Mounting angle	4 36
Pivot bracket	4 36
Sheet metal bracket	4 37
Corner angle	4 38
Corner angle 20	4 38
Corner angle loads	4 38
Corner angle 30	4 39
Corner angle loads	4 39
Corner angle 40	4 39
Corner angle 45	4 40
Corner angle loads	4 40
Cube connector	4 41
Cube connector 20	4 41
Cube connector 30	4 42
Cube connector 40	4 42
Cube connector 45	4 43
T-connector 45 × 45	4 43
Terminal connector	4 44
Profile connector	4 44
Tie plate	4 45
Tie plate loads	4 45
Mitre square	4 46
45° connector	4 47
Mounting bracket	4 48
Foundation bracket	4 49
Floor dowel	4 50
► Joints	5 1
Joint	5 2
Joint 30	5 2
Machining of profile for joint 30 × 30	5 2
Joint 40	5 3
Joint 45	5 3
Joint 45 × 90	5 4
Threaded insert	5 5
Support arm joint	5 6
Support arm joint loads	5 7
Clamping lever	5 7
Star grip	5 8
Pivot mount 180°	5 8
► Door fittings	6 1
Plastic combination hinge, no unhinging	6 2
Plastic combination hinge, unhinging	6 2
Combination hinge with clamping lever	6 3
Plastic hinge with clamping lever	6 3
Hinge system with catch	6 4
Hinge system with adjustable friction	6 5
Heavy-duty hinge, not unhinging	6 6
Metal hinge	6 6
Combination aluminium hinge	6 7
Stainless steel hinge 20 × 20	6 7
Adjustable aluminium hinge	6 8
Folding door element	6 9
Bow handle	6 10

Handle	6 10
Handle AL	6 11
Light-duty handle AL	6 11
Machine handle	6 11
Door lock for profiles 40, 45 and 50	6 12
Compact door lock	6 12
Compact double door lock	6 13
Door lock	6 13
Door lock PROe	6 14
Door lock PROe	6 15
Emergency opener, compact door lock and door lock PROe	6 16
Latch	6 16
Sealing rail	6 17
Double ball latch	6 17
Magnetic latch	6 18
Suspension bracket slot 8	6 19
Door latch	6 19
Door stop	6 20
Magnetic door stop	6 20
► Surface elements and linings	7 1
Cover and lining profile	7 2
PVC guard plate profile	7 2
Clean-room guard plate profile	7 3
Variofix block	7 3
Universal pad	7 4
Spacer D for universal pad	7 4
Clamping pad	7 5
Equipotential bonding	7 5
Panel bracket	7 6
Black strip brush	7 6
Variofix block S	7 7
Bracket S	7 8
Quick-acting opener	7 9
Circlip	7 9
Spring clamp element	7 10
Wave grid	7 10
Spot-welded grid	7 11
Polycarbonate	7 11
Rubber mat/push floor mat	7 12
► Feet and wheels	8 1
Hinged feet	8 2
Damper ring	8 2
Threaded rods for hinged knuckle foot, ball 15	8 3
Ball head 15 with female thread	8 3
Base for hinged knuckle feet, ball 15	8 4
Base plate with mounting hole	8 5
Oval base plate with mounting hole	8 5
Absorber plate for hinged knuckle feet	8 6
Base plate	8 6
Threaded sleeve	8 7
Adapter plate for steering and fixed castors	8 7
Steering castor	8 8
Fixed castor	8 9
Steering and fixed castor mounting kit	8 9
Heavy-duty castor	8 10
Castor with fitted flange	8 11
Adjustable levelling foot	8 12
► Castors and glides	9 1
Glides	9 2
Profile glides	9 2
Snap hook & sliding tool hanger	9 4
Runner	9 5
Door slider	9 5
Clip-Fix roller element	9 6
Screw-type roller element	9 6
Support rollers	9 7
Roller support	9 7
Ball castor	9 8
► Safeguards	10 1

Safety fence10|2
 Safety frame10|4
 Horizontally divided safety frame10|5
 Vertically divided safety frame10|6
 System pillar 45 × 45 L10|7
 System pillar 45 × 45 × 90 L10|8
 System pillar 45 × 90 L10|9
 System pillar 90 × 90 L10|10
 Mounting kit10|11
 Mounting bracket – set of securing hardware10|12
 Spring clamp element10|13
 Safety grid profile 30 × 30 WG3010|13
 Safety grid profile 30 × 30 WG4010|13
 Safety grid profile 30 × 45 WG3010|14
 Safety grid profile 30 × 45 WG4010|14
 Machining for safety grid profiles 30 × 30 WG30 and 30 × 30 WG40 (assembled by customer)10|14
 Base plate of galvanised steel10|15
 Base plate 135 × 13510|16
 Base plate of die-cast aluminium10|16
 Washer10|17
 Safety grid profile cap10|17
 System door10|18
 Door stop10|18
 Door profile10|19
 Sliding door components10|19
 Profile rail, carriage10|20
 End fitting10|20
 Clamping element10|21
 Glide10|21
 Carriage10|22
 Stopper set10|22
 Buffer stop10|23
 Bracket10|23

► **Round pipes11|1**

Round pipe series11|2
 Round pipe D2811|3
 Round pipe cap D2811|3
 Round pipe bracket D2811|3
 T-connector D2811|4
 Round pipe system D28L, D28L; N1011|4
 Round pipe cap D28L; D28L N1011|5
 Cross connector11|5
 Corner bracket11|6
 Corner bracket loads11|6
 45° connector11|6
 45° connector loads11|6
 90° connector11|7
 90° connector loads11|7
 Corner bracket11|8
 Parallel connector11|8
 0-90° connector11|9
 0-90° connector loads11|9
 Round pipe connector11|10
 Round pipe connector loads11|10
 Variofix block, die-cast zinc11|10
 Variofix block for round pipe D2811|11
 Slide rail for round pipes D28L11|11
 Label clip for round pipe D28; D28L11|12
 Pipe clamp D28/N1011|12
 Adapter panel set D2811|13
 T-connector panel D2811|13
 Threaded sleeve D28L11|14

► **Accessories12|1**

Buffer stop12|2
 Cable tie mount for slot 8 & slot 1012|2
 Cross cable tie mount12|3
 Quick-acting opener12|3
 Cable duct & cover12|4
 Cable duct cap12|6

Feed-through12|7
 Carrier profile12|7
 Wall profile12|8

► **Tools13|1**

Drilling jig – slot 6 mm13|2
 Drilling jig – slot 8 mm13|2
 Drilling jig – slot 10 mm, spacing 45.6013|3
 Drilling jig – slot 10 mm, spacing 40.5013|3
 Drilling jig for mitred profiles – slot 8 mm13|3
 Drilling jig for mitred profiles – slot 10 mm13|4
 Screwdriver bit13|4
 Safety Allen wrench bit AF1.5-613|4
 General-purpose shears13|4
 Screwdriver13|5
 T handle screwdriver13|5

► **Workplace accessories14|1**

Workplace14|2
 Feeder unit14|3
 Material cart14|4
 Spring balancer14|5
 Lifting units for height-adjustable workplaces14|6
 LED system lamp14|9
 Dimmer module14|10
 LED system lamp14|11
 System lamp14|13
 Multiple socket, power strip unit14|15
 Bracket set (spare)14|16
 Mains cable14|16
 Drop cable14|16
 GST plug, GST socket14|17
 Info board14|17
 A4 sheet protectors for info boards14|18
 Display pocket14|18
 Sliding keyboard shelf14|18
 Height-adjustable 4-axle display support14|19
 Height-adjustable 5-axle display support14|19
 Display support14|20
 PC mount14|20
 Height-adjustable footrest14|21
 Frame profile 22.5 × 3014|22
 Corner piece for frame profile 22.5 × 3014|23
 Frame profile 22.5 × 4514|24
 Corner piece for frame profile 22.5 × 4514|25
 Cup holder14|25
 Label clips14|26
 Chest of drawers14|27
 Desk chair, clean room basic14|27
 Desk chair, clean room basic, accessories14|28
 Bottle holder14|28
 Clip-in profile14|28
 Grab container14|29
 Slot 10 grab tray14|29
 Slot 10 grab tray, 105 × 153.5 mm14|30
 Grab tray14|31
 ESD worktop mat DK1014|32
 Earthing box 3 × DK1014|32
 Earthing plug without cable 3 × DK1014|32
 Earthing plug with cable14|32
 Black helix cable, 2.4m; 10/10mm DK14|33
 Dark blue wrist strap, 10 mm DK14|33
 ESD earthing contact for 10 mm DK14|33

► **KLT lifters15|1**

KLT lifter15|2

► **Roller conveyor sections16|1**

Roller loads16|2
 Fully assembled roller conveyor section16|2
 Aluminium roller profile 6/1016|2
 Roller holder D28, roller spacing 50 / partition 5016|3
 Roller holder D28, roller spacing 33 / partition 3316|4

Roller element H26, roller spacing 16.5 / partition 50	16 4
Cage for end fitting	16 5
Roller element R9	16 5
Slide strip	16 6
Ramp	16 6
Ball element	16 7
Brush element	16 7
Brake	16 8
Return stop	16 8
Rail bracket	16 9
Variable bracket	16 10
AL D28 bracket mount	16 10
End plate	16 11
Side guides	16 12
Lean shelf	16 13
FIFO shelf	16 14
► Practical examples	B 1
► Appendix	B 3
Chemical resistance of plastic materials	B 3
Thermal stability of PA6	B 5
Electrostatic discharge capability.	B 5
► Certifications	B 6

INDEX OF ARTICLE NUMBERS

50110	14 2	801150	16 3	202528800	13 4	402150043	4 8
50111	14 2	801151	16 3	202528850	13 5	402150200	4 9
50120	14 3	801152	16 3	202528851	13 5	402150201	4 9
50121	14 3	801153	16 3	202528852	13 5	402150202	4 9
50131	14 4	801154	16 3	202528853	13 5	402150203	4 9
50134	14 4	801155	16 3	202528854	13 5	402150204	4 10
50140	16 14	801200	16 3	202528855	13 5	402150205	4 9
50141	16 14	801201	16 3	202528856	13 5	402150207	4 9
50144	16 14	801202	16 3	202528857	13 5	402150208	4 10
50145	16 14	801203	16 3	202528870	13 5	402150209	4 10
50148	16 14	801204	16 3	202528871	13 5	402150220	4 10
50149	16 14	801205	16 3	202528872	13 5	402150221	4 10
50160	16 13	801250	16 5	202528873	13 5	402150225	4 9
50161	16 13	801251	16 5	202528874	13 5	402150226	4 9
50164	16 13	801252	16 5	202528875	13 5	402150227	4 9
50165	16 13	801253	16 5	202528900	13 4	402150228	4 9
50168	16 13	801254	16 5	203600800	8 3	402150229	4 9
50169	16 13	801255	16 5	203600801	8 3	402150230	4 9
50192	14 2	801256	16 5	203600802	8 3	402150231	4 9
50193	14 2	801300	16 11	203600803	8 3	402150232	4 9
500002	7 11	801310	16 10	281120999	12 8	402150233	4 9
500003	7 11	801311	16 10	281260999	12 7	402150234	4 9
500003AST	7 11	801320	16 8	281280999	12 7	402150235	4 9
500004	7 11	801330	16 8	283218003	9 5	402150236	4 9
500004AST	7 11	801340	16 8	283218004	9 5	402150237	4 9
500005	7 11	801360	16 6	401535118	11 3	402150238	4 9
500005AST	7 11	801370	16 7	401541211	11 4	402150239	4 9
500006	7 11	801371	16 7	401993317	11 3	402150240	4 9
500006AST	7 11	8114040	16 2	401996191	11 4	402150241	4 9
500008	7 11	8114040E	16 2	402150001	4 8	402150242	4 9
500008AST	7 11	8119940	16 2	402150002	4 8	402150243	4 9
500010	7 11	8119940E	16 2	402150003	4 8	402150244	4 9
500010AST	7 11	201080000	12 8	402150004	4 8	402150245	4 10
500015	7 11	201080999	12 8	402150005	4 8	402150246	4 10
630303	7 10	201120000	12 8	402150006	4 8	402150247	4 10
640404	7 10	201120120	12 6	402150007	4 8	402150248	4 10
700970	7 12	201120160	12 6	402150008	4 8	402150249	4 10
730303	7 11	201260000	12 7	402150009	4 8	402150250	4 10
800200	16 6	201280000	12 7	402150010	4 8	402150251	4 10
800201	16 6	201400000	12 6	402150011	4 8	402150252	4 10
800400	16 5	201400999	12 6	402150012	4 8	402150253	4 10
800401	16 5	201401200	12 6	402150013	4 8	402150254	4 10
800500	16 10	201401600	12 6	402150014	4 8	402150255	4 10
800501	16 10	201402000	12 4	402150015	4 8	402150256	4 10
800502	16 10	201402999	12 4	402150016	4 8	402150257	4 10
800503	16 10	201404000	12 4	402150017	4 8	402150258	4 10
800550	16 9	201404010	12 6	402150018	4 8	402150259	4 10
800551	16 9	201404020	12 7	402150019	4 8	402150260	4 10
800552	16 9	201404999	12 4	402150020	4 9	402150261	4 10
800553	16 9	201408000	12 5	402150021	4 9	402150262	4 10
801000	16 11	201408010	12 6	402150022	4 9	402150263	4 10
801001	16 11	201408999	12 5	402150023	4 9	402150264	4 10
801002	16 11	201600000	12 6	402150024	4 9	402150265	4 10
801003	16 11	201600999	12 6	402150025	4 9	402150266	4 10
801050	16 4	201606000	12 5	402150030	4 8	402150267	4 10
801051	16 4	201606999	12 5	402150031	4 8	402150268	4 10
801052	16 4	201800000	12 6	402150032	4 8	402150269	4 10
801053	16 4	201800999	12 6	402150033	4 8	402150270	4 10
801054	16 4	201801200	12 6	402150034	4 8	402150271	4 10
801055	16 4	201801600	12 6	402150035	4 8	402150272	4 10
801100	16 4	201804100	12 4	402150036	4 8	402150273	4 10
801101	16 4	201804199	12 4	402150037	4 8	402150300	4 12
801102	16 4	201808000	12 5	402150038	4 8	402150301	4 13
801103	16 4	201808010	12 6	402150039	4 8	402150302	4 11
801104	16 4	201808020	12 7	402150040	4 8	402150303	4 12
801105	16 4	201808999	12 5	402150041	4 8	402150304	4 11
801106	16 4	202528700	13 4	402150042	4 8	402150305	4 11

402150306	4 11	402150378	4 12	402535583	4 19	403536811	8 3
402150307	4 11	402150379	4 12	402535640	6 7	403536812	8 3
402150308	4 11	402150380	4 12	402535641	6 7	403537206	8 4
402150309	4 11	402150381	4 12	402535642	6 7	403537220	8 3
402150310	4 11	402150382	4 12	402535644	6 7	403537222	8 3
402150311	4 11	402150383	4 12	402535646	6 7	403537223	8 3
402150312	4 11	402150384	4 12	402535648	6 7	403537224	8 3
402150313	4 11	402150385	4 12	402535660	6 6	403537225	8 3
402150314	4 11	402150386	4 12	402535661	14 23	403537226	8 3
402150315	4 11	402150387	4 12	402535667	9 7	403537227	8 3
402150316	4 11	402150388	4 12	402535671	9 7	403537228	8 3
402150317	4 11	402150389	4 12	402535688	6 6	403537229	8 3
402150318	4 11	402150390	4 13	402535689	6 6	403537230	8 3
402150319	4 11	402150391	4 13	402536787	4 44	403537231	8 3
402150320	4 11	402150392	4 13	402537116	14 26	403537232	8 3
402150321	4 11	402150393	4 13	402537163	9 7	403538555	8 6
402150322	4 11	402150394	4 13	402537653	14 26	403538556	8 6
402150323	4 11	402150395	4 13	402538700	4 47	403538557	8 6
402150324	4 11	402150400	4 10	402538703	4 36	403538558	8 6
402150325	4 11	402150400	8 9	402538711	4 28	403538559	8 6
402150326	4 11	402150450	4 10	402538714	4 33	403538673	8 4
402150327	4 11	402150451	4 10	402544528	6 7	403538674	8 4
402150328	4 11	402150453	4 10	402544562	6 8	403538675	8 4
402150329	4 11	402311107	4 13	402600001	6 2	403538676	8 4
402150330	4 11	402311107	4 19	402600002	6 2	403538677	8 4
402150331	4 11	402311109	4 13	402600003	6 2	403538678	8 4
402150332	4 11	402311109	4 19	402600004	6 2	403538680	8 5
402150333	4 11	402350400	6 20	402600005	6 2	403538832	8 4
402150334	4 11	402350401	6 20	402600006	6 2	403538833	8 4
402150335	4 11	402502257	8 2	402600007	6 2	403538834	8 4
402150336	4 11	402504760	4 36	402600008	6 2	403538835	8 4
402150337	4 11	402510462	10 23	402600009	6 2	403538836	8 4
402150338	4 11	402510462	12 2	402600010	6 2	403538932	8 5
402150339	4 11	402510464	12 2	402600011	6 2	403538934	8 5
402150340	4 11	402515547	4 36	402600012	6 2	403600120	8 4
402150341	4 11	402516165	6 18	402600013	6 2	403600121	8 4
402150342	4 11	402516715	6 9	402601100	6 6	403600122	8 4
402150343	4 11	402516850	5 8	402601150	6 4	403600123	8 4
402150344	4 11	402516851	5 8	402601151	6 4	404500605	5 4
402150345	4 12	402518426	4 47	402601180	6 5	404500606	5 4
402150346	4 12	402523308	10 21	402601181	6 5	404516840	5 7
402150347	4 12	402523530	4 28	402601200	6 3	404516845	5 7
402150348	4 12	402523537	4 28	402601201	6 3	404516846	5 7
402150349	4 12	402523537	4 29	402601300	6 3	404532235	5 3
402150350	4 12	402523537	4 29	402650003	4 45	404538607	5 7
402150351	4 12	402523537	4 33	402650004	4 45	404542329	7 9
402150352	4 12	402523551	4 33	402650006	4 45	404542330	7 9
402150353	4 12	402524153	10 22	402650007	4 45	404615103	7 4
402150354	4 12	402524986	6 17	402650008	4 45	404615104	7 4
402150355	4 12	402525014	7 10	402650009	4 45	404615105	7 4
402150356	4 12	402525014	10 13	402650010	4 45	404615500	7 6
402150357	4 12	402525103	4 41	402650011	4 45	404615600	6 19
402150358	4 12	402525203	4 41	402651001	6 11	405218900	9 4
402150359	4 12	402525480	6 10	402651100	6 11	405218901	9 4
402150360	4 12	402525481	6 10	402700001	4 35	405410000	14 25
402150361	4 12	402525737	9 7	402700002	4 35	405410001	14 25
402150362	4 12	402525738	9 7	402700003	4 35	405513517	9 2
402150363	4 12	402525739	9 7	402700004	4 35	405530002	6 16
402150364	4 12	402525766	6 10	402700005	4 35	405530100	6 19
402150365	4 12	402525767	6 10	402750010	6 10	405530300	6 12
402150366	4 12	402525821	6 13	402750011	6 10	405530301	6 12
402150367	4 12	402525823	6 13	402750012	6 10	405530302	6 16
402150368	4 12	402526560	4 50	402750013	6 10	405530303	6 12
402150369	4 12	402526561	4 50	402750014	6 10	405530304	6 13
402150370	4 12	402526562	4 50	402750100	6 11	405530305	6 13
402150371	4 12	402528189	10 17	402750101	6 11	405530352	6 12
402150372	4 12	402528593	4 20	402750102	6 11	405530353	6 12
402150373	4 12	402529025	8 2	402825822	6 13	405530400	6 15
402150374	4 12	402535125	4 36	403504790	8 7	405530401	6 15
402150375	4 12	402535126	16 12	403536694	8 4	405530402	6 15
402150376	4 12	402535463	4 13	403536695	8 4	405530403	6 15
402150377	4 12	402535464	4 13	403536696	8 4	405530404	6 15

405530405	6 15	406539850	14 15	411509184	2 13	411548760 2x	3 4
405530450	6 15	406540429	14 28	411509185	2 21	411548761	3 4
405800300	9 6	406542146	10 12	411509186	2 15	411548761 2x	3 4
405800301	9 6	406546772	14 28	411509187	2 16	411548778	3 4
405801200	9 6	406546773	14 28	411509188	2 18	411548784	3 4
405801201	9 6	406546774	14 28	411509189	2 17	411548796	3 4
405801202	9 6	406553142	14 17	411509658	2 16	411548797	3 4
405801203	9 6	408510165	12 2	411511702	2 10	411548800	3 4
405901310	9 4	408516175	10 16	411511782	2 14	411548802	3 4
406146972	4 24	408520011	10 15	411511783	3 4	411548803	3 4
406200100	14 20	408520017	10 15	411511872	2 21	411548808	3 4
406200120	14 19	408522481	10 12	411511874	3 4	411548820	3 4
406200125	14 19	408524469	10 16	411513576	2 22	411548820 2x	3 4
406200150	14 18	408527553	10 16	411516015	2 17	411548821	3 4
406344701	14 29	408530001	10 11	411516214	3 4	411548821 2x	3 4
406344702	14 29	408530002	10 18	411516214 2x	3 4	411548830	3 4
406410015	14 18	408530003	10 18	411517058	3 4	411548876	3 2
406410016	14 18	408530005	10 18	411517059	3 4	411990115	2 24
406502153	14 17	408532879	11 4	411517100	3 4	411990292	2 22
406514660	14 13	408535136	11 12	411517100 1x	3 4	411990300	2 15
406514661	14 13	408536002	11 3	411517200	2 12	411990335	2 16
406514670	14 12	408536010	11 13	411517250	3 4	411990345	2 23
406514671	14 12	408536011	11 13	411517855	3 4	411990350	2 21
406514680	14 9	408537119	11 12	411518351	3 3	411990416	2 18
406514681	14 9	408537652	11 12	411518351	7 2	411990450	2 21
406514682	14 9	408538093	11 12	411518367	3 2	411990500	2 17
406514685	14 10	408541173	11 7	411518368	3 2	411990520	2 10
406514686	14 10	408541175	11 6	411518369	3 2	411990570	2 13
406514687	14 10	408541178	11 9	411523442	3 4	411992387	2 15
406514688	14 10	408541181	11 5	411523598	10 20	411992401	2 11
406514689	14 10	408541183	11 8	411524040	2 12	411992402	2 11
406514690	14 10	408541185	11 14	411524043	2 13	411992403	2 11
406514691	14 10	408541186	11 13	411524046	2 13	411992404	2 12
406516100	14 20	408541188	11 6	411528968	3 4	411992411	2 23
406516900	14 32	408541189	11 10	411529039	3 4	411992411	14 24
406516905	14 32	408541191	11 8	411529044	3 4	411992415	2 16
406516910	14 32	408541193	11 12	411529339	2 7	411992425	2 10
406517043	14 17	408541194	11 5	411529341	2 8	411992426	10 20
406517044	14 17	408541195	11 3	411529347	2 10	411992432	2 14
406517045	14 16	408541195	11 5	411529351	2 19	411992443	2 21
406517046	14 16	408541196	11 11	411529355	2 20	411992473	2 22
406517047	14 16	408541197	11 11	411529359	2 8	411992857	2 17
406517049	14 16	408543311	11 11	411529363		411992897	2 12
406517051	14 16	408543494	11 10		2 8	411993013	2 12
406517055	14 17	408994783	10 4	411529365	2 7	411993014	2 13
406517201	14 16	408994784	10 6	411529367	2 7	411993015	2 13
406519735	14 21	408994785	10 5	411531219	3 4	411993120	2 7
406520053	14 5	408999102	10 19	411536437	3 4	411993130	2 8
406520054	14 5	408999471	10 7	411537812	2 22	411993133	2 10
406520055	14 5	408999472	10 8	411537823	2 15	411993139	2 9
406520056	14 5	408999473	10 9	411537824	2 9	411993156	2 19
406520057	14 5	408999474	10 10	411537825	2 19	411993163	2 19
406527161	14 27	411146000	3 2	411537827	2 9	411993171	2 20
406527162	14 27	411146003	3 2	411538298	2 14	411993184	2 8
406527207	14 16	411146005	3 2	411538299	2 14	411993187	2 8
406530100	14 8	411146006	3 2	411541213	11 4	411993189	2 7
406530101	14 8	411146901	3 2	411548746	3 4	411993191	2 7
406530102	14 8	411191094	3 4	411548746 1x	3 4	411993193	2 9
406530103	14 8	411459000	2 15	411548748	3 4	411993635	2 14
406530104	14 8	411459099	2 15	411548748 1x	3 4	411993644	2 14
406532909	14 17	411501577	3 4	411548749	3 4	411996192	11 4
406537123	14 16	411502674	3 4	411548749 1x	3 4	412061009	8 9
406537598	14 16	411506956	2 11	411548750	3 4	412100202	7 6
406538275	5 8	411506957	2 11	411548752	3 4	412100203	7 6
406538276	5 8	411506958	2 11	411548754	3 4	412111987	4 7
406538409	14 21	411506959	2 12	411548756	3 4	412111988	4 7
406539800	14 16	411508102	2 23	411548757	3 4	412111989	4 7
406539841	14 15	411508102	14 24	411548758	3 4	412146813	4 37
406539842	14 15	411509175	2 10	411548758 2x	3 4	412146815	4 49
406539844	14 15	411509177	2 24	411548759	3 4	412146840	4 49
406539846	14 15	411509179	2 23	411548759 2x	3 4	412146920	7 9
406539847	14 15	411509183	2 21	411548760	3 4		

412191175	4 44	412529010	4 42	412538717	4 30	413510404	8 12
412259790	8 11	412529011	4 42	412538718	4 34	413511893	8 2
412259791	8 11	412529159	8 9	412538719	4 31	413521817	8 2
412259792	8 11	412529239	7 3	412538721	4 34	413522301	8 2
412259793	8 11	412529298	4 5	412538731	4 43	413522303	8 2
412259794	8 11	412529299	4 5	412538732	4 43	413527186	8 2
412259795	8 11	412529300	4 5	412538750	4 32	413536470	8 2
412259796	8 11	412529323	4 4	412540102	8 7	414500610	5 5
412311502	4 23	412529324	4 4	412540103	8 7	414500611	5 3
412311503	4 23	412529325	4 4	412540104	8 7	414500650	5 5
412345081	4 6	412529383	4 30	412540105	8 7	414502694	5 3
412348526	4 31	412529386	4 30	412541008	9 8	414521262	5 7
412352009	4 31	412529395	4 42	412541226	8 8	414521263	5 7
412352010	4 31	412529397	4 42	412541230	8 8	414532206	5 7
412500921	4 19	412529404	4 39	412541231	8 8	414532207	5 7
412500922	4 19	412530231	4 34	412541232	8 8	414615101	7 4
412500923	4 19	412530232	4 34	412541234	8 8	414615102	7 4
412515366	8 8	412530235	4 20	412541238	8 8	414615201	7 5
412515367	8 8	412530236	4 20	412541239	8 8	415218953	9 4
412515368	8 8	412530236	4 42	412541240	8 8	415400301	12 2
412515369	8 8	412530236	4 43	412541242	8 9	415511352	8 6
412516669	4 4	412530281	4 2	412541244	8 9	415511353	8 6
412516731	13 4	412530283	4 2	412541246	8 8	415526564	12 3
412517292	4 40	412530285	4 2	412541247	4 13	415536564	8 6
412518424	4 36	412530287	4 2	412541247	4 19	415901309	9 4
412519321	4 40	412530303	9 5	412541248	4 13	416500001	14 29
412520802	4 43	412530329	9 3	412541248	4 19	416500002	14 29
412521580	4 36	412530360	4 34	412541249	4 13	416500010	14 30
412521580	10 23	412530400	13 3	412541249	4 19	416500011	14 30
412523205	9 3	412535428	4 47	412541258	8 8	416500012	14 30
412523206	9 3	412535458	4 13	412541266	8 8	416500013	14 30
412523532	4 28	412535466	4 13	412541268	8 8	416500014	14 30
412523546	4 33	412535571	4 25	412541393	4 5	416500015	14 30
412523553	4 33	412535572	4 25	412541410	4 18	416500020	14 31
412523555	4 33	412535618	4 19	412541412	4 18	416500021	14 31
412523558	4 31	412535620	4 19	412548710	4 39	416500022	14 31
412523561	4 31	412535621	4 19	412548711	4 40	416500023	14 31
412523563	4 31	412535622	4 19	412548714	4 39	416500024	14 31
412523564	4 31	412535625	4 46	412548715	4 40	416500025	14 31
412523567	4 32	412535634	4 16	412548718	4 39	416516908	14 33
412523570	4 32	412535635	4 15	412548719	4 40	416516909	14 33
412523572	4 32	412535637	14 25	412548722	4 39	416522087	14 32
412523573	4 32	412535659	6 6	412548723	4 40	416522100	14 33
412523575	4 34	412535745	6 6	412548834	7 3	416537358	14 18
412523578	4 34	412535746	6 6	412548840	7 7	416537861	4 35
412523580	4 34	412535747	6 6	412548852	4 33	416539838	14 18
412523583	4 32	412536119	4 48	412548854	4 30	461517179	2 2
412523874	4 43	412536120	4 48	412548855	4 30	461517180	2 2
412523877	4 43	412536121	4 48	412548856	4 30	461517183	2 3
412524027	7 3	412536122	4 48	412548857	4 30	461517243	3 4
412524028	7 3	412536123	4 48	412548860	4 34	461517243 2x	3 4
412524480	4 43	412536124	4 48	412548861	4 34	461517243 3x	3 4
412524486	4 43	412536125	4 48	412548862	4 31	461518343	3 3
412525105	4 42	412536126	4 48	412548863	4 31	461518343	7 2
412525105	4 43	412536148	7 5	412548864	4 32	461519658	2 2
412525205	4 42	412536491	7 8	412548868	4 34	461536478	2 2
412525205	4 43	412536495	7 7	412548869	4 34	461537816	2 3
412528574	13 3	412536603	4 2	412652000	4 22	461548742	3 4
412528715	4 6	412536604	4 2	412652001	4 22	461548742 2x	3 4
412528718	4 6	412536672	7 8	412652003	4 22	461548742 3x	3 4
412528721	4 6	412536676	4 5	413218940	9 5	461548743	3 4
412528724	4 6	412536736	8 10	413311950	8 2	461548743 2x	3 4
412528735	4 3	412536737	8 10	413311951	8 2	461548743 3x	3 4
412528738	4 3	412536738	8 10	413311956	8 2	461992888	2 2
412528741	4 3	412538658	4 44	413352061	8 2	461992889	2 2
412528744	4 3	412538698	4 43	413500300	8 6	461992890	2 3
412528746	4 44	412538702	4 47	413500301	8 6	461992891	2 3
412528967	4 30	412538704	4 36	413500302	8 6	461992924	2 2
412529005	4 30	412538706	4 36	413500303	8 6	461993422	2 2
412529007	4 30	412538710	4 28	413500306	8 6	462514100	4 3
412529008	4 30	412538715	4 33	413500307	8 6	462514101	4 3
412529009	4 30	412538716	4 30	413510403	8 12	462514102	4 3

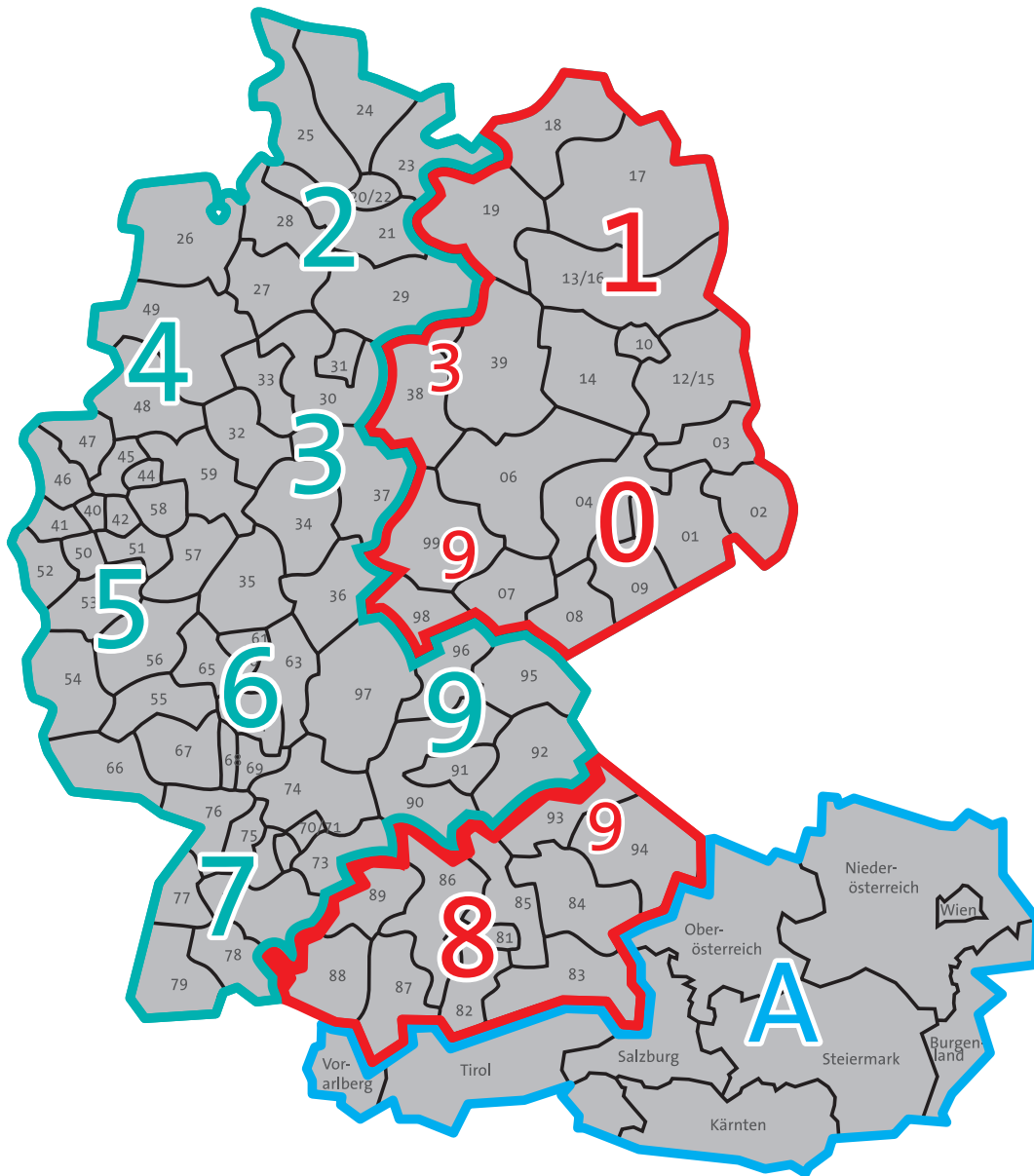
462518740	6 18	481522464	10 13	482523525	4 28	485526565	12 3
462519318	4 38	481522465	2 25	482523528	4 28	485536560	8 6
462523135	4 2	481522465	10 14	482523534	4 28	3842184738	7 3
462523140	4 3	481524034	2 6	482523535	4 28	3842514663	3 4
462523142	4 3	481524037	2 6	482523536	4 28	3842519565	7 2
462523213	9 2	481524049	2 6	482523538	4 29	3842519567	7 2
462523508	4 26	481537679	14 28	482523541	4 29	3842523210	10 21
462523511	4 26	481548744	3 4	482523543	4 29	3842524490	10 22
462523513	4 26	481548744 3×	3 4	482523549	4 33	3842546534	14 27
462523517	4 27	481548744 3×	3 4	482523587	4 29	3842546535	14 27
462523520	4 27	481548744 4×	3 4	482523587	4 49	3842546538	14 27
462523522	4 27	481548774	3 4	482523589	4 29	3842546539	14 27
462523872	4 41	481548775	3 4	482523589	4 49	3842548812	3 4
462523875	4 41	481548776	3 4	482523873	4 42	3842548813	3 4
462524478	4 41	481548777	3 4	482523876	4 42	3842551565	14 22
462524484	4 41	481548878	3 2	482523920	4 6	3842554157	14 28
462535574	4 25	481990720	2 4	482523921	4 6	3842554710	10 20
462535575	4 25	481992397	2 4	482523922	4 6	3842554711	10 20
462535626	4 46	481992398	2 5	482523925	4 6	3842993063	14 28
462535628	4 16	481992399	2 4	482524479	4 42		
462535684	6 7	481992400	2 4	482524485	4 42		
462536599	4 2	481992430	2 5	482525104	4 42		
462537013	4 13	481992457	2 5	482525204	4 42		
462537556	13 2	481992476	2 22	482527174	4 20		
462538707	4 26	481992493	2 23	482528577	13 2		
462538708	4 27	481992493	14 22	482529294	4 5		
462548708	4 38	481992896	2 5	482529295	4 5		
462548712	4 38	481992970	2 24	482529296	4 5		
462548716	4 38	481992970	10 13	482529297	4 5		
462548720	4 38	481992971	2 25	482529319	4 4		
462548842	4 26	481992971	10 14	482529320	4 4		
462548843	4 26	481992973	2 25	482529321	4 4		
462548844	4 27	481992973	10 14	482529327	4 4		
462548845	4 27	481992978	2 24	482535459	4 13		
481146001	3 2	481992978	10 13	482535465	4 13		
481146002	3 2	481993011	2 6	482535577	4 25		
481146004	3 2	481993012	2 6	482535578	4 25		
481146007	3 2	481993016	2 6	482535624	4 19		
481338990	14 28	481993411	14 28	482535627	4 46		
481501232	3 4	482100200	7 6	482535629	4 15		
481501232 3×	3 4	482100201	7 6	482535630	4 16		
481501232 3×	3 4	482200160	4 7	482535687	6 6		
481501232 4×	3 4	482200161	4 7	482535696	7 3		
481501962	3 2	482200162	4 7	482536494	7 7		
481503073	3 2	482311501	4 23	482536602	4 2		
481506948	2 4	482352315	4 13	482536675	4 5		
481506949	2 5	482352315	4 19	482537113	14 26		
481506950	2 4	482352316	4 13	482537650	14 26		
481506951	2 4	482352316	4 19	482538709	4 28		
481509178	2 4	482352317	4 13	482538712	4 29		
481511704	2 5	482352317	4 19	482538713	4 33		
481512603	2 5	482501587	4 27	482538727	4 42		
481513581	2 22	482501751	4 2	482538728	4 42		
481513584	3 4	482501752	4 2	482543412	6 17		
481515229	2 23	482501753	4 2	482548709	4 39		
481515229	14 22	482502137	4 27	482548713	4 39		
481516506	3 4	482510078	4 3	482548717	4 39		
481517057	3 4	482514928	4 3	482548721	4 39		
481517057 3×	3 4	482514929	4 3	482548832	7 3		
481517057 3×	3 4	482514930	4 3	482548838	7 7		
481517057 4×	3 4	482514931	4 3	482548846	4 28		
481517198	2 5	482515473	4 36	482548848	4 29		
481518347	3 3	482516685	4 4	482650001	4 45		
481518347	7 2	482516729	13 3	482650002	4 45		
481518375	3 2	482517543	4 42	482650005	4 45		
481518376	3 2	482518427	4 44	482652002	4 22		
481518377	3 2	482519319	4 39	483510402	8 12		
481522462	2 24	482521216	4 44	484500600	5 2		
481522462	10 13	482522345	10 17	484502683	5 2		
481522463	2 25	482522346	10 17	484615100	7 4		
481522463	10 14	482523209	9 3	484615200	7 5		
481522464	2 24	482523212	9 2	485400300	12 2		

ALPHABETICAL INDEX

0-90° connector	11 9
0-90° connector loads	11 9
45° connector	4 47
45° connector	11 6
45° connector loads	11 6
90° connector	11 7
90° connector loads	11 7
A4 sheet protectors for info boards	14 18
Absorber plate for hinged knuckle feet	8 6
Adapter panel set D28	11 13
Adapter plate for steering and fixed castors	8 7
Adjustable aluminium hinge	6 8
Adjustable levelling foot	8 12
AL D28 bracket mount	16 10
Aluminium profile 11 × 20	2 22
Aluminium profile 15 × 22.5	2 22
Aluminium profile 20 × 20	2 2
Aluminium profile 20 × 20 2N	2 2
Aluminium profile 20 × 20 2NVS	2 2
Aluminium profile 20 × 20 3N	2 2
Aluminium profile 20 × 20 R	2 3
Aluminium profile 20 × 40	2 3
Aluminium profile 22.5 × 45	2 22
Aluminium profile 22.5 × 180	2 23
Aluminium profile 30 × 30	2 4
Aluminium profile 30 × 30 1N	2 4
Aluminium profile 30 × 30 2N	2 4
Aluminium profile 30 × 30 2NVS	2 5
Aluminium profile 30 × 30 3N	2 4
Aluminium profile 30 × 30 R	2 5
Aluminium profile 30 × 45	2 5
Aluminium profile 30 × 45°	2 6
Aluminium profile 30 × 60	2 5
Aluminium profile 30 × 60°	2 6
Aluminium profile 30 × 60 × 60	2 6
Aluminium profile 40 × 40L	2 7
Aluminium profile 40 × 40L 2N	2 8
Aluminium profile 40 × 40L 2NVS	2 7
Aluminium profile 40 × 40L 3N	2 7
Aluminium profile 40 × 40L R	2 8
Aluminium profile 40 × 80 × 80L	2 9
Aluminium profile 40 × 80L	2 8
Aluminium profile 40 × 120L	2 9
Aluminium profile 45 × 30°	2 12
Aluminium profile 45 × 45	2 10
Aluminium profile 45 × 45°	2 13
Aluminium profile 45 × 45L	2 10
Aluminium profile 45 × 45L 1N	2 11
Aluminium profile 45 × 45L 2N	2 11
Aluminium profile 45 × 45L 2NVS	2 11
Aluminium profile 45 × 45L 3N	2 12
Aluminium profile 45 × 45L R	2 12
Aluminium profile 45 × 60	2 13
Aluminium profile 45 × 60°	2 13
Aluminium profile 45 × 90	2 15
Aluminium profile 45 × 90 × 90L	2 15
Aluminium profile 45 × 90L	2 14
Aluminium profile 45 × 90L 2N	2 14
Aluminium profile 45 × 90L 3NVS	2 14
Aluminium profile 45 × 90L 4N	2 15
Aluminium profile 45 × 180	2 16
Aluminium profile 50 × 50L	2 19
Aluminium profile 50 × 100L	2 19
Aluminium profile 60 × 60	2 21
Aluminium profile 60 × 60L	2 21
Aluminium profile 60 × 90	2 21
Aluminium profile 80 × 80L	2 10
Aluminium profile 90 × 90	2 17
Aluminium profile 90 × 90L	2 16
Aluminium profile 90 × 180	2 18
Aluminium profile 90 × 180L	2 17
Aluminium profile 100 × 100L	2 20
Aluminium profile caps	3 4
Aluminium roller profile 6/10	16 2
Ball castor	9 8
Ball element	16 7
Ball head 15 with female thread	8 3
Base for hinged knuckle feet, ball 15	8 4
Base plate	8 6
Base plate 135 × 135	10 16
Base plate of die-cast aluminium	10 16
Base plate of galvanised steel	10 15
Base plate with mounting hole	8 5
Bending/calculation	1 3
Bending quick-acting connector, face - face	4 16
Bending quick-acting connector, face - slot	4 15
Black helix cable, 2.4m; 10/10mm DK	14 33
Black strip brush	7 6
Bolt connector loads	4 20
Bolt connectors	4 19
Bottle holder	14 28
Bow handle	6 10
Bracket	10 23
Bracket 20 × 20	4 26
Bracket 20 × 28	4 27
Bracket 20 × 40	4 27
Bracket 30 × 30	4 28
Bracket 30 × 60	4 29
Bracket 30 × 120	4 29
Bracket 40 × 40	4 30
Bracket 40 × 80	4 30
Bracket 43 × 42	4 31
Bracket 45 × 45	4 31
Bracket 45 × 90	4 32
Bracket 45 × 180	4 32
Bracket 60 × 60	4 33
Bracket 80 × 80	4 34
Bracket 90 × 90	4 34
Bracket S	7 8
Bracket set	4 35
Bracket set (spare)	14 16
Brake	16 8
Brush element	16 7
Buffer stop	10 23
Buffer stop	12 2
Cable duct cap	12 6
Cable duct & cover	12 4
Cable tie mount for slot 8 & slot 10	12 2
Cage for end fitting	16 5
Carriage	10 22
Carrier profile	12 7
Castor with fitted flange	8 11
Centre bolt	4 20
Centre bolt loads	4 21
Cheese head screw (DIN7984) with hexagon socket	4 10
Cheese head screw (DIN ISO 4762) with 8.8 hexagon socket	4 11
Chemical resistance of plastic materials	B 3
Chest of drawers	14 27
Circlip	7 9
Clamping element	10 21
Clamping lever	5 7
Clamping pad	7 5
Clean-room guard plate profile	7 3
Clip-Fix roller element	9 6
Clip-in profile	14 28
Combination aluminium hinge	6 7

Combination hinge with clamping lever	6 3	Frame profile 22.5 × 30	14 22
Compact door lock	6 12	Frame profile 22.5 × 45	2 23
Compact double door lock	6 13	Frame profile 22.5 × 45	14 24
Corner angle	4 38	Fully assembled roller conveyor section	16 2
Corner angle 20	4 38	General-purpose shears	13 4
Corner angle 30	4 39	Glide	10 21
Corner angle 40	4 39	Glides	9 2
Corner angle 45	4 40	Grab container	14 29
Corner angle loads	4 38	Grab tray	14 31
Corner angle loads	4 39	GST plug, GST socket	14 17
Corner angle loads	4 40	Hammer head nut	4 2
Corner bracket	11 6	Hammer head nut ES	4 2
Corner bracket	11 8	Hammer head screw	4 6
Corner bracket loads	11 6	Handle	6 10
Corner piece for frame profile 22.5 × 30	14 23	Handle AL	6 11
Corner piece for frame profile 22.5 × 45	14 25	Heavy-duty castor	8 10
Countersunk screws (DIN 7991) with 8.8 hexagon socket	4 9	Heavy-duty hinge, not unhinging	6 6
Cover and lining profile	3 3	Height-adjustable 4-axle display support	14 19
Cover and lining profile	7 2	Height-adjustable 5-axle display support	14 19
Cover profiles	3 2	Height-adjustable footrest	14 21
Cross cable tie mount	12 3	Hinged feet	8 2
Cross connector	4 24	Hinge system with adjustable friction	6 5
Cross connector	11 5	Hinge system with catch	6 4
Cube connector	4 41	Horizontally divided safety frame	10 5
Cube connector 20	4 41	Info board	14 17
Cube connector 30	4 42	Inside bracket	4 25
Cube connector 40	4 42	Inside bracket loads	4 25
Cube connector 45	4 43	Joint	5 2
Cup holder	14 25	Joint 30	5 2
Damper ring	8 2	Joint 40	5 3
Dark blue wrist strap, 10 mm DK	14 33	Joint 45	5 3
Desk chair, clean room basic	14 27	Joint 45 × 90	5 4
Desk chair, clean room basic, accessories	14 28	KLT lifter	15 2
Dimmer module	14 10	Label clip for round pipe D28; D28L	11 12
Display pocket	14 18	Label clips	14 26
Display support	14 20	Latch	6 16
Door latch	6 19	Lean shelf	16 13
Door lock	6 13	LED system lamp	14 9
Door lock for profiles 40, 45 and 50	6 12	LED system lamp	14 11
Door lock PROe	6 14	Lifting units for height-adjustable workplaces	14 6
Door lock PROe	6 15	Light-duty handle AL	6 11
Door profile	10 19	Load capacity of profile slot	1 4
Door slider	9 5	Loads of face-to-face bending quick-acting connector	4 16
Door stop	6 20	Loads of face-to-slot bending quick-acting connector	4 15
Door stop	10 18	Loads of quick-acting connector 9.8 with small clamping sleeve	4 18
Double ball latch	6 17	Machine handle	6 11
Drilling jig for mitred profiles – slot 8 mm	13 3	Machining for safety grid profiles 30 × 30 WG30 and 30 × 30 WG40 (assembled by customer)	10 14
Drilling jig for mitred profiles – slot 10 mm	13 4	Machining of aluminium profiles – slot 6	1 9
Drilling jig – slot 6 mm	13 2	Machining of aluminium profiles – slot 8	1 10
Drilling jig – slot 8 mm	13 2	Machining of aluminium profiles – slot 10	1 11
Drilling jig – slot 10 mm, spacing 40.50	13 3	Machining of bending quick-acting connector	4 17
Drilling jig – slot 10 mm, spacing 45.60	13 3	Machining of bending quick-acting connectors	1 8
Drop cable	14 16	Machining of bolts	1 6
Earthing box 3 × DK10	14 32	Machining of bolts	4 20
Earthing plug with cable	14 32	Machining of centre bolt	1 5
Earthing plug without cable 3 × DK10	14 32	Machining of centre bolt	4 21
Electrostatic discharge capability	B 5	Machining of cross connector F1	1 12
Emergency opener, compact door lock and door lock PROe	6 16	Machining of cross connector F1	4 24
End fitting	10 20	Machining of profile for joint 30 × 30	5 2
End plate	16 11	Machining of quick-acting connector	4 14
Equipotential bonding	7 5	Machining of quick-acting connector 9.8	4 18
ESD earthing contact for 10 mm DK	14 33	Machining of quick-acting connector 9.8 on profiles with closed slots	4 18
ESD worktop mat DK10	14 32	Machining of quick-acting connectors	1 7
Expanding nut	4 7	Machining of safety grid profile	1 12
Feeder unit	14 3	Magnetic door stop	6 20
Feed-through	12 7	Magnetic latch	6 18
FIFO shelf	16 14	Mains cable	14 16
Fixed castor	8 9	Material cart	14 4
Floor dowel	4 50	Metal hinge	6 6
Folding door element	6 9		
Foundation bracket	4 49		
Frame profile 22.5 × 30	2 23		

Milling connector	4 23
Mitre square	4 46
Mounting angle	4 36
Mounting bracket	4 48
Mounting bracket – set of securing hardware	10 12
Mounting kit	10 11
Multiple socket, power strip unit	14 15
Ordering machined profiles	1 14
Oval base plate with mounting hole	8 5
Panel bracket	7 6
Parallel connector	11 8
PC mount	14 20
Pipe clamp D28/N10	11 12
Pivot bracket	4 36
Pivoting slot nut	4 4
Pivoting slot nut profile	4 4
Pivoting slot nut with grub screw	4 5
Pivoting slot nut with spring	4 5
Pivot mount 180°	5 8
Plastic combination hinge, no unhinging	6 2
Plastic combination hinge, unhinging	6 2
Plastic hinge with clamping lever	6 3
Polycarbonate	7 11
Profile connector	4 44
Profile glides	9 2
Profile rail, carriage	10 20
PVC guard plate profile	7 2
Quick-acting connector	4 13
Quick-acting connector 9.8 with small clamping sleeve	4 18
Quick-acting connector loads	4 14
Quick-acting opener	7 9
Quick-acting opener	12 3
Radius compensation	1 13
Rail bracket	16 9
Ramp	16 6
Return stop	16 8
Rhomboid nut Slot 8	4 7
Roller element H26, roller spacing 16.5 / partition 50	16 4
Roller element R9	16 5
Roller holder D28, roller spacing 33 / partition 33	16 4
Roller holder D28, roller spacing 50 / partition 50	16 3
Roller loads	16 2
Roller support	9 7
Round head screws, ISO 7380, strength category 10.9	4 8
Round head screws with flange, standard 7380	4 9
Round pipe bracket D28	11 3
Round pipe cap D28	11 3
Round pipe cap D28L; D28L N10	11 5
Round pipe connector	11 10
Round pipe connector loads	11 10
Round pipe D28	11 3
Round pipe series	11 2
Round pipe system D28L, D28L; N10	11 4
Rubber mat/push floor mat	7 12
Runner	9 5
Safety Allen wrench bit AF1.5-6	13 4
Safety fence	10 2
Safety frame	10 4
Safety grid profile 30 × 30 WG30	2 24
Safety grid profile 30 × 30 WG30	10 13
Safety grid profile 30 × 30 WG40	2 24
Safety grid profile 30 × 30 WG40	10 13
Safety grid profile 30 × 45 WG30	2 25
Safety grid profile 30 × 45 WG30	10 14
Safety grid profile 30 × 45 WG40	2 25
Safety grid profile 30 × 45 WG40	10 14
Safety grid profile cap	10 17
Screwdriver	13 5
Screwdriver bit	13 4
Screw-type roller element	9 6
Sealing rail	6 17
Sheet metal bracket	4 37
Side guides	16 12
Slide rail for round pipes D28L	11 11
Slide strip	16 6
Sliding door components	10 19
Sliding door profile AL45	2 24
Sliding keyboard shelf	14 18
Slot 10 grab tray	14 29
Slot 10 grab tray, 105 × 153.5 mm	14 30
Slot nut	4 3
Slot nut profile	4 3
Snap hook & sliding tool hanger	9 4
Spacer D for universal pad	7 4
Spot-welded grid	7 11
Spring	4 4
Spring balancer	14 5
Spring clamp element	7 10
Spring clamp element	10 13
Stainless steel hinge 20 × 20	6 7
Star grip	5 8
Steel angle	4 35
Steering and fixed castor mounting kit	8 9
Steering castor	8 8
Stopper set	10 22
Straightness tolerance	1 3
Support arm joint	5 6
Support arm joint loads	5 7
Support rollers	9 7
Suspension bracket slot 8	6 19
System door	10 18
System lamp	14 13
System pillar 45 × 45 × 90 L	10 8
System pillar 45 × 45 L	10 7
System pillar 45 × 90 L	10 9
System pillar 90 × 90 L	10 10
T-connector 45 × 45	4 43
T-connector D28	11 4
T-connector panel D28	11 13
Terminal connector	4 44
T handle screwdriver	13 5
Thermal stability of PA6	8 5
Threaded insert	5 5
Threaded rods for hinged knuckle foot, ball 15	8 3
Threaded sleeve	8 7
Threaded sleeve D28L	11 14
Tie plate	4 45
Tie plate loads	4 45
T-Matic connector	4 22
Tolerances	1 2
Torsional tolerance	1 4
Union nut	4 6
Universal pad	7 4
Variable bracket	16 10
Variofix block	7 3
Variofix block, die-cast zinc	11 10
Variofix block for round pipe D28	11 11
Variofix block S	7 7
Vertically divided safety frame	10 6
Wall profile	12 8
Washer	10 17
Wave grid	7 10
Workplace	14 2



Alle hier aufgeführten Produkte werden vertrieben von:
All listed products are distributed by:

**POSTCODE:
2-7/9**

syskomp GmbH
 Max-Planck-Str. 1
 92224 Amberg
 GERMANY
 Tel.: +49 9621 67547-0
 Fax: +49 9621 67547-99
 sales@syskomp.de
 www.syskomp-group.com

**POSTCODE:
8/93/94**

gehmeyr GmbH & Co. KG
 Auerbacher Straße 2
 93057 Regensburg
 GERMANY
 Tel. +49 941 69681-0
 Fax +49 941 69681-49
 info@gehmeyr.de
 www.syskomp-group.com

**POSTCODE:
0/1/38/39/98/99**

Niederlassung Nord/Ost
 Am Eichelberg 7
 OT Medingen
 01458 Ottendorf-Okrilla
 GERMANY
 Tel. +49 35205 70382-0
 Fax +49 35205 70382-49
 ndl-ost@gehmeyr.de
 www.syskomp-group.com

A

bfm GmbH
 Resselstraße 7
 2752 Wöllersdorf
 AUSTRIA
 Tel. +43 2633 42040-0
 Fax +43 2633 42040-34
 bfm@bfm.at
 www.syskomp-group.com